

**Single  
Monitor Arm**

Read the entire instruction manual before you start installation and assembly. If you have any questions regarding any of the instructions or warnings, please contact your local distributor for assistance.

**CAUTION:** Use with products heavier than the rated weights indicated may result in instability causing possible injury.

- Mounts must be attached as specified in assembly instructions. Improper installation may result in damage or serious personal injury.
- Safety gear and proper tools must be used. This product should only be installed by professionals.
- Make sure that the supporting surface will safely support the combined weight of the equipment and all attached hardware and components.
- Use the mounting screws provided and DO NOT OVER TIGHTEN mounting screws.
- This product contains small items that could be a choking hazard if swallowed. Keep these items away from children.
- This product is intended for indoor use only. Using this product outdoors could lead to product failure and personal injury.

**IMPORTANT:** Ensure that you have received all parts according to the component checklist prior to installation. If any parts are missing or faulty, telephone your local distributor for a replacement.

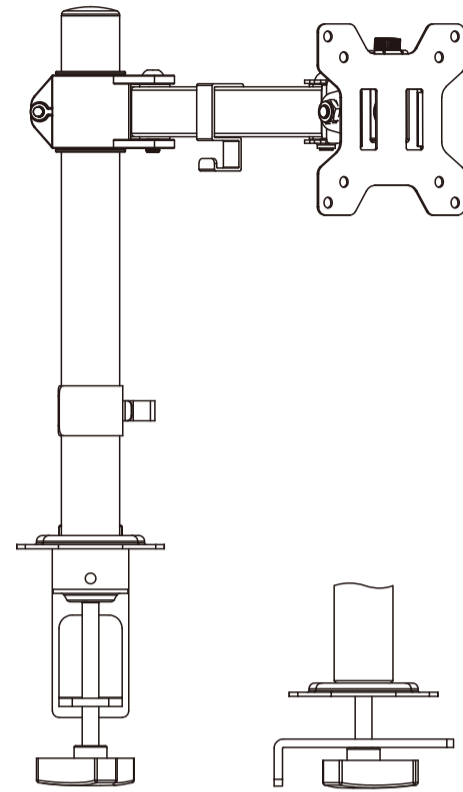
**MAINTENANCE:** Check that the bracket is secure and safe to use at regular intervals (at least every three months).



Arisit Pty Limited Australia,  
40-50 Mark Anthony Drive, Dandenong South,  
VIC 3175 Australia Tel: 1300 762 219

Arisit Pty Limited NZ,  
1a Howe Street, Newton, Auckland,  
1145 NZ, Tel: (+64) 9 306 1020

Made in China



<b>PPMA1-E</b>	75x75 100x100	<b>32"</b> MAX	<b>8kg</b> (17.6lbs) RATED
----------------	------------------	-------------------	----------------------------------

