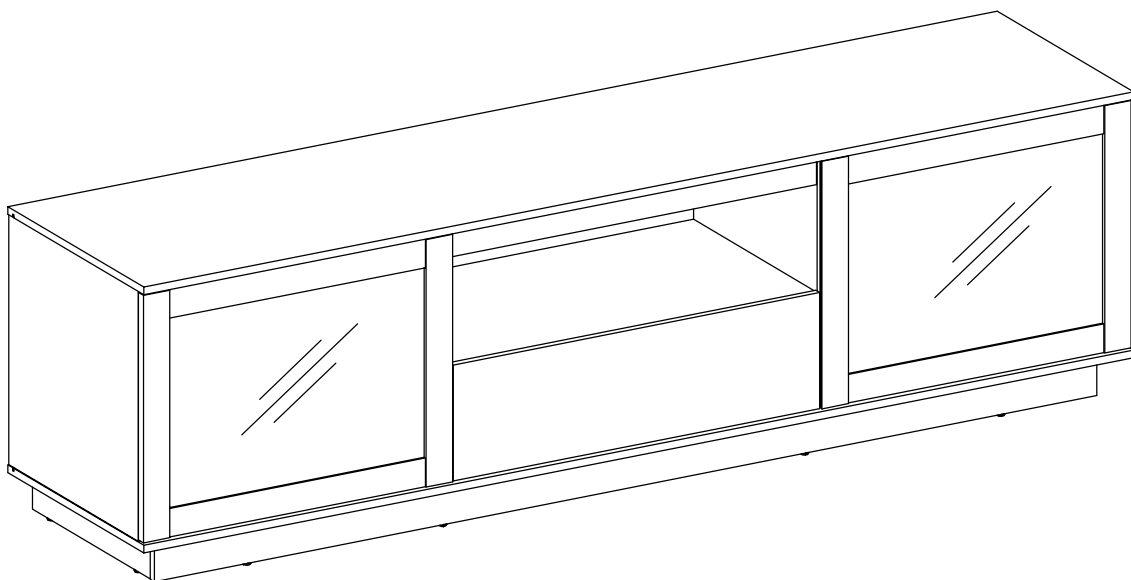




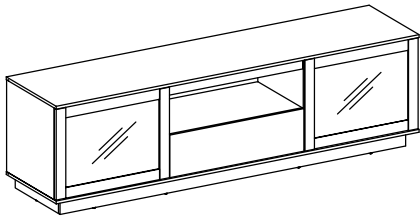
ASSEMBLY INSTRUCTIONS

OLB2100SOWS

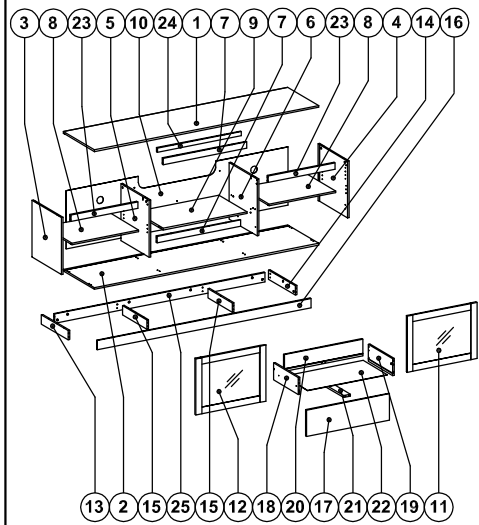
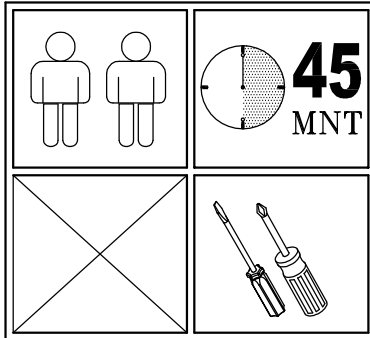


Thank you for choosing AVS OLB2100SOWS Furniture. Before beginning assembly, please check all parts are included and undamaged. For any assembly or parts enquiries, please contact Arisit Pty Ltd on 1300 762 219 or email to arisit@arisit.com

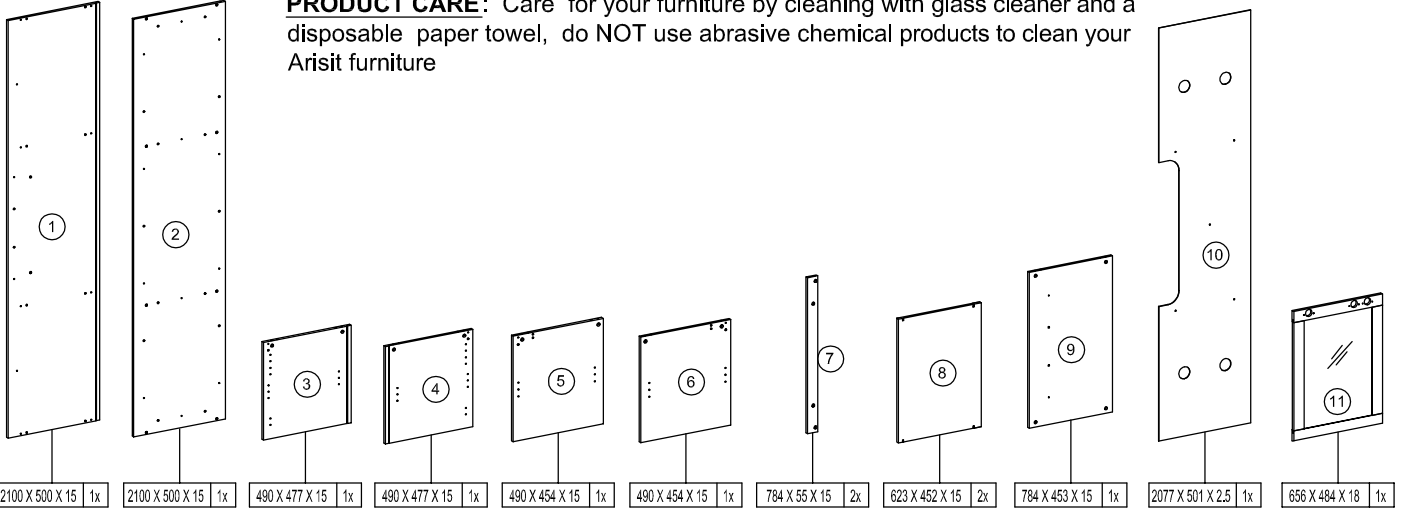
OLB2100SOWS



The cabinet top supports up to 55 kg (121 lbs.)

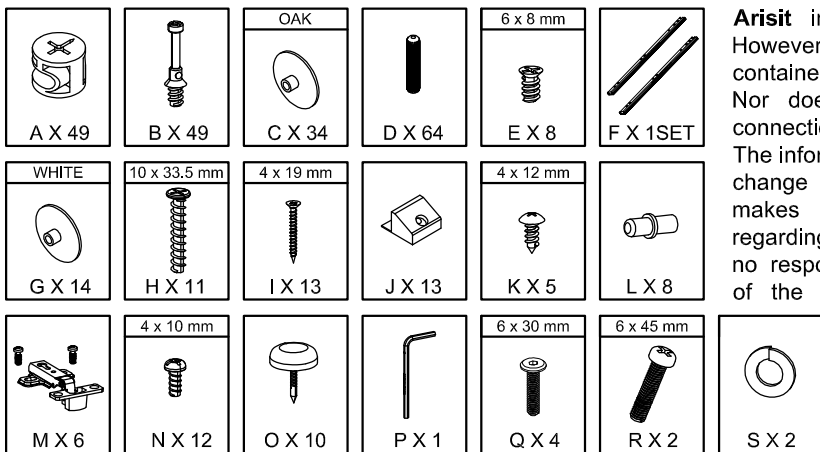
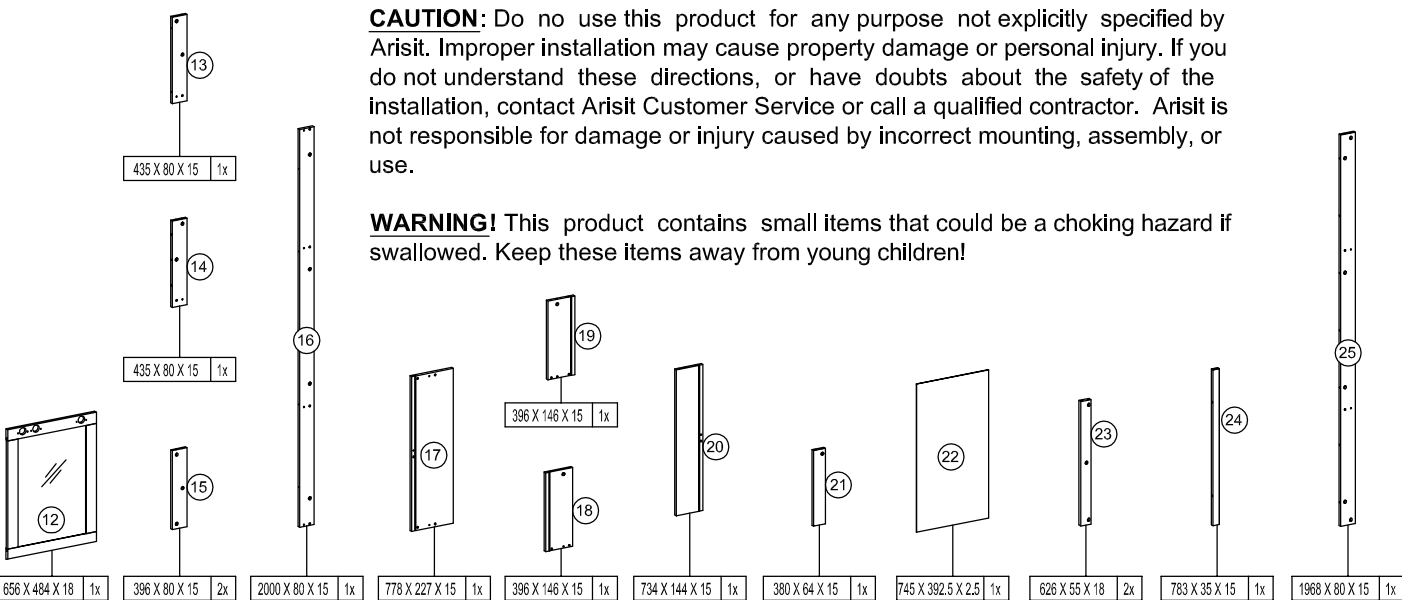


PRODUCT CARE: Care for your furniture by cleaning with glass cleaner and a disposable paper towel, do NOT use abrasive chemical products to clean your Arisit furniture



CAUTION: Do not use this product for any purpose not explicitly specified by Arisit. Improper installation may cause property damage or personal injury. If you do not understand these directions, or have doubts about the safety of the installation, contact Arisit Customer Service or call a qualified contractor. Arisit is not responsible for damage or injury caused by incorrect mounting, assembly, or use.

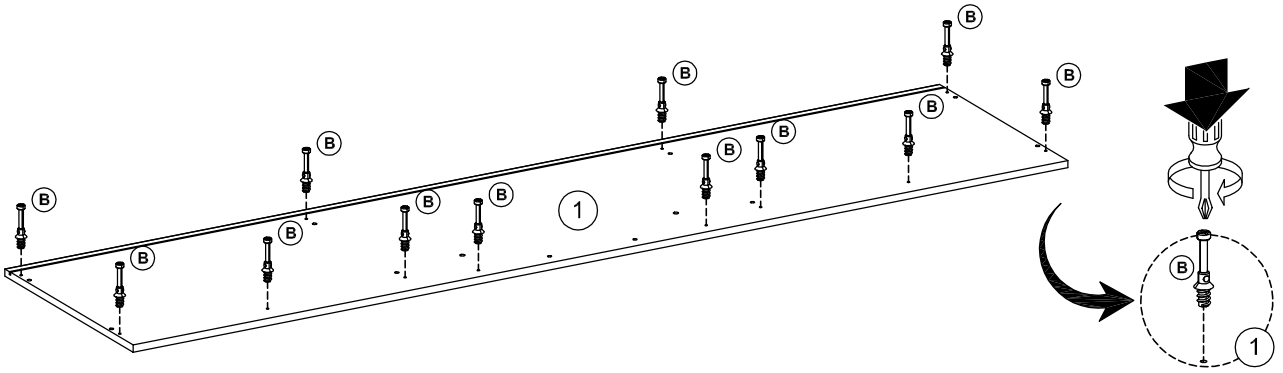
WARNING! This product contains small items that could be a choking hazard if swallowed. Keep these items away from young children!



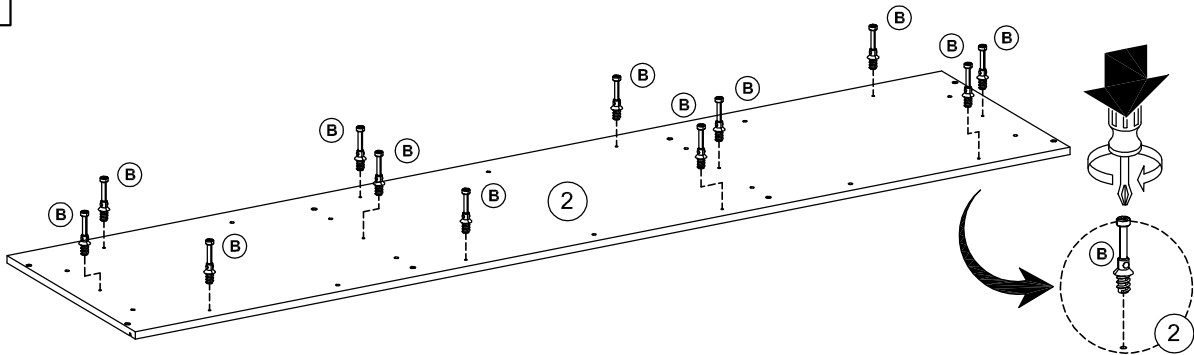
Arisit intends to make this manual accurate and complete. However, Arisit makes no claim that the information contained herein covers all details, conditions, or variations. Nor does it provide for every possible contingency in connection with the installation or use of this product. The information contained in this document is subject to change without notice or obligation of any kind. Arisit makes no representation of warranty, expressed or implied, regarding the information contained herein. Arisit assumes no responsibility for accuracy, completeness or sufficiency of the information contained in this document.

OLB2100SOWS

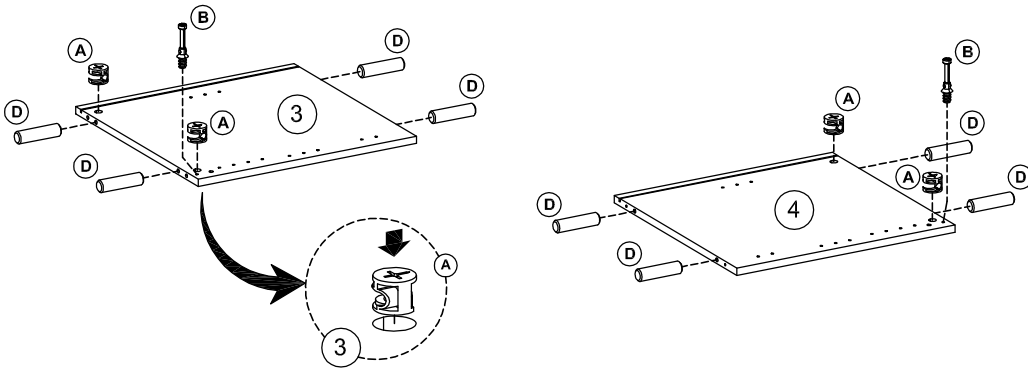
1



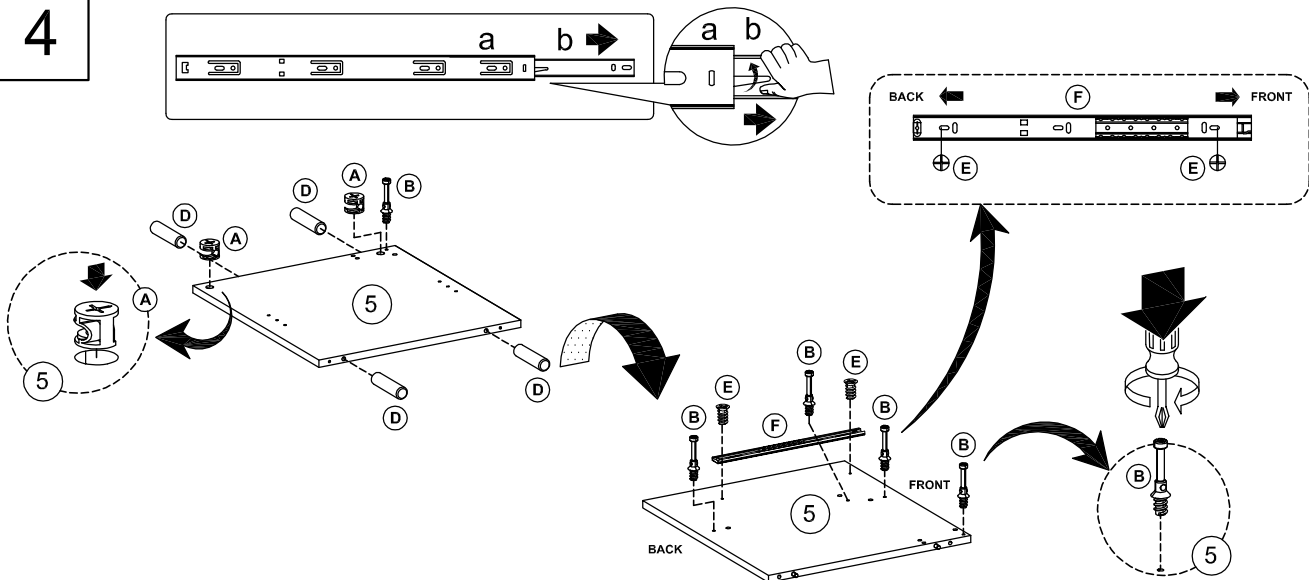
2



3

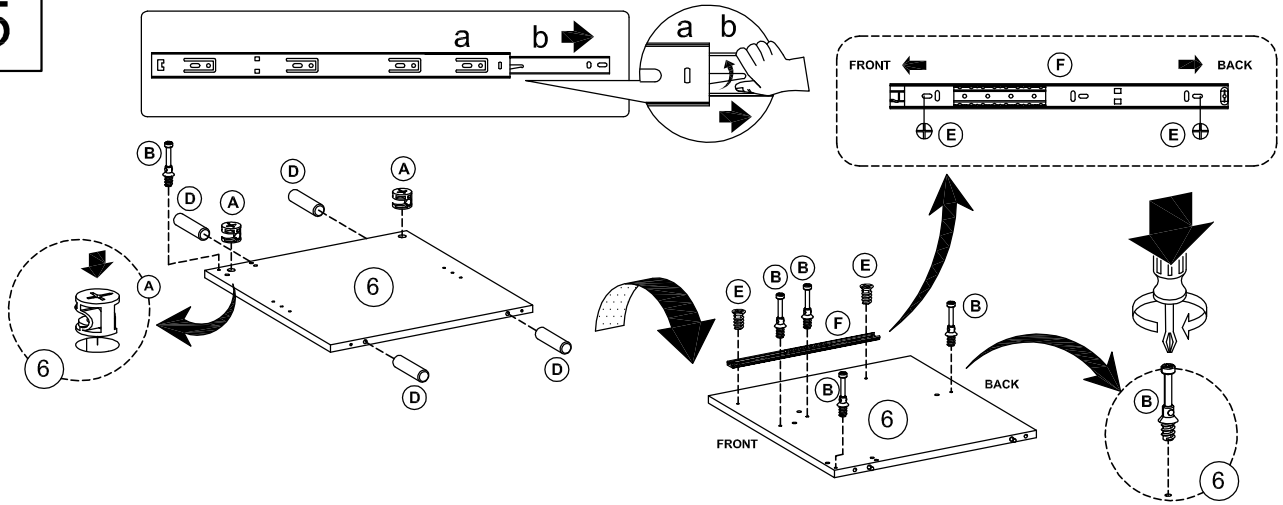


4

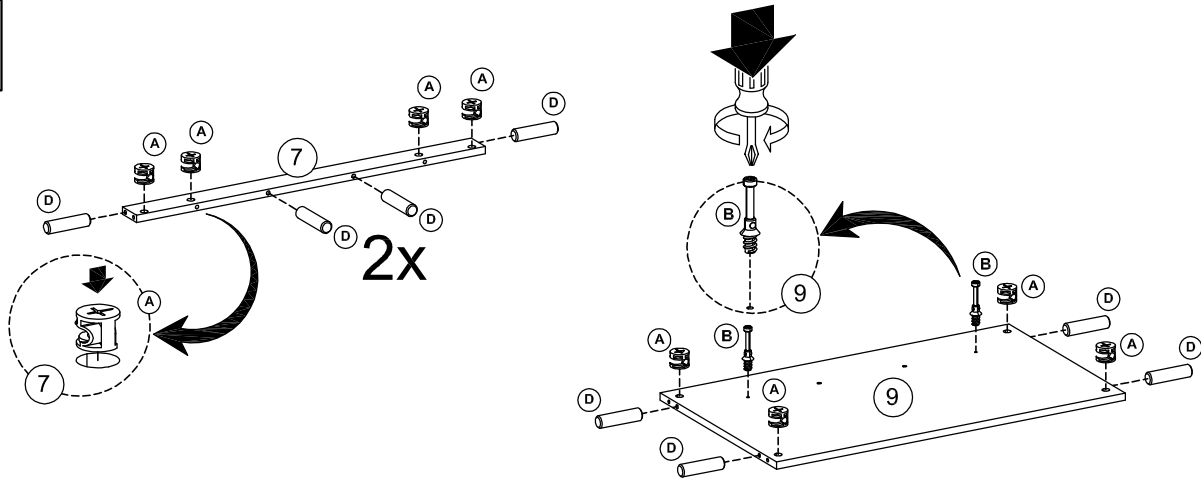


OLB2100SOWS

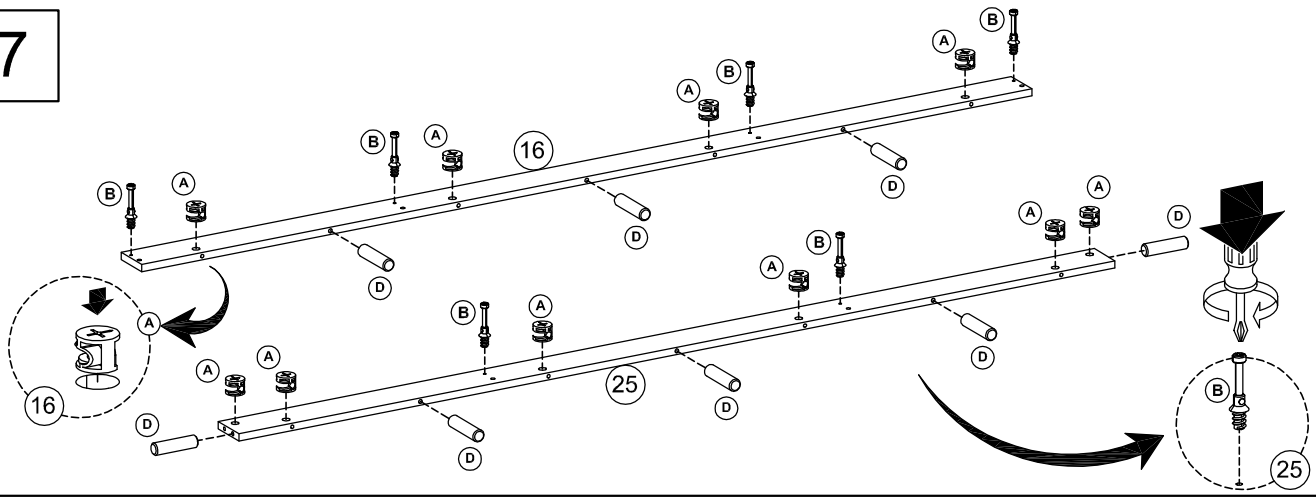
5



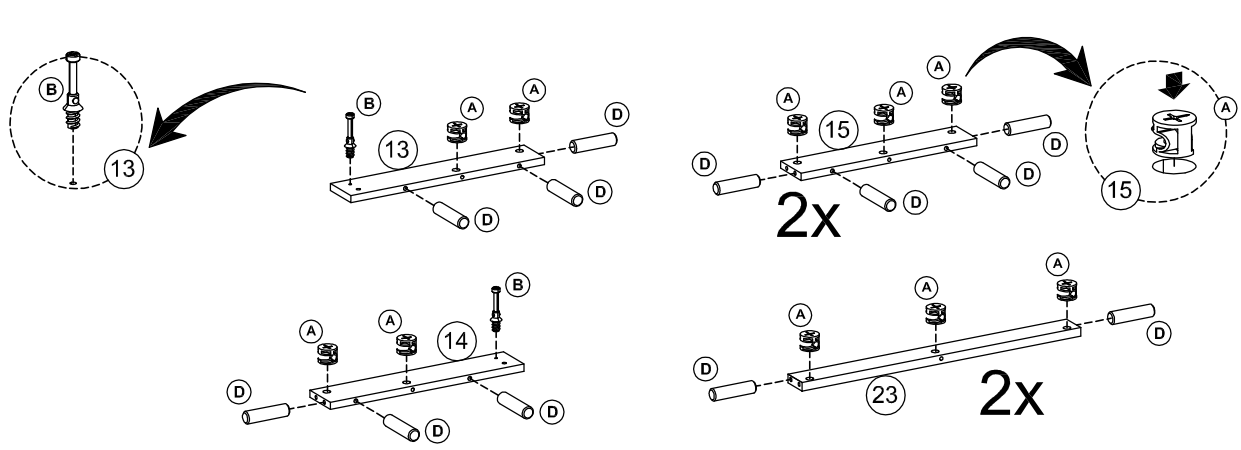
6



7

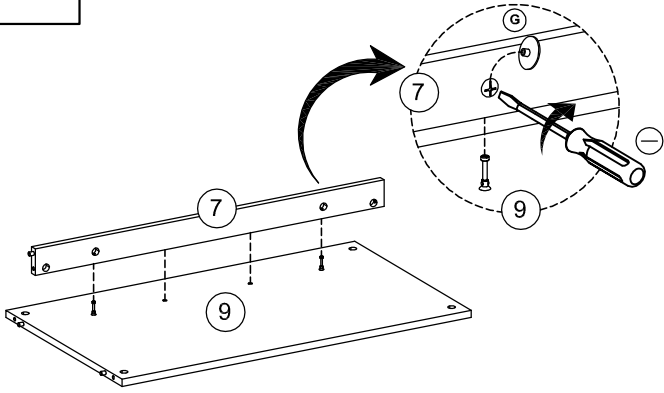


8

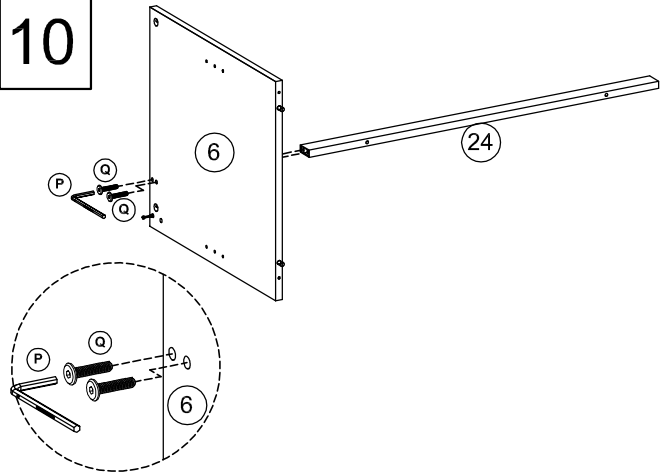


OLB2100SOWS

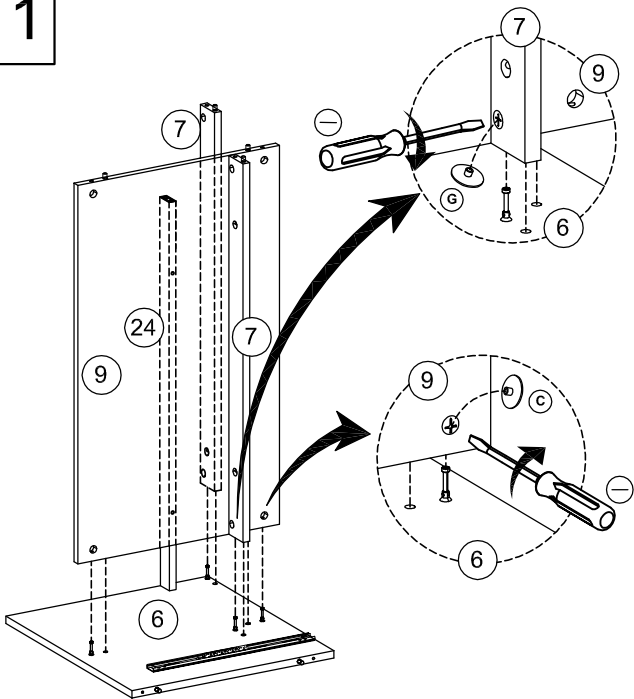
9



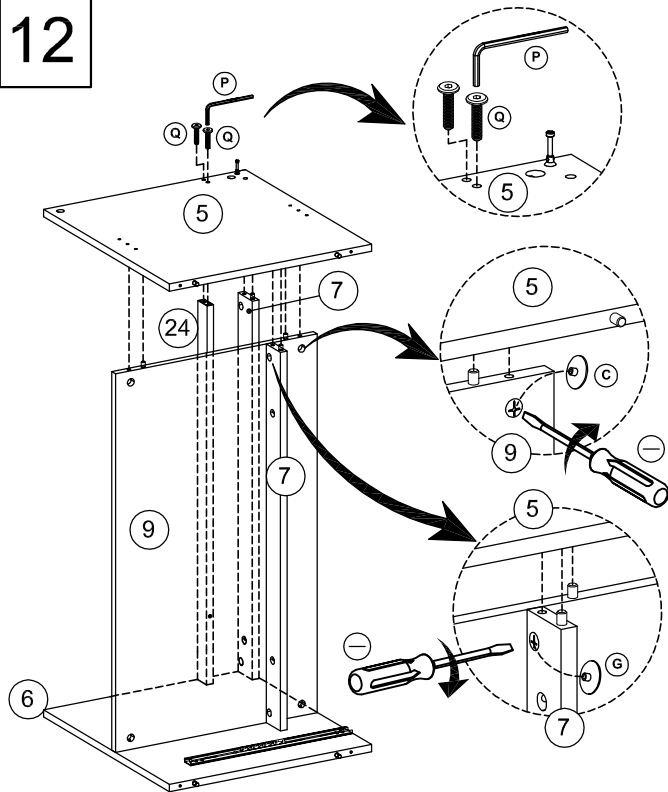
10



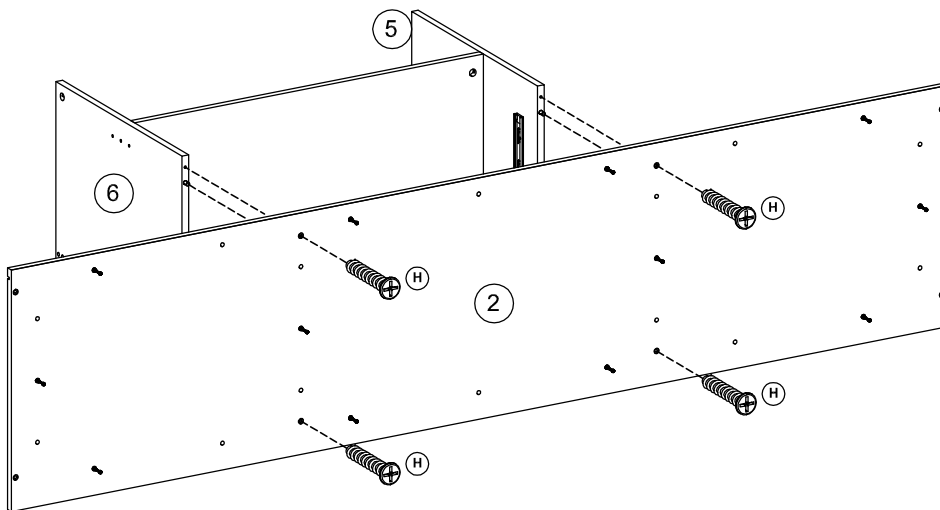
11



12

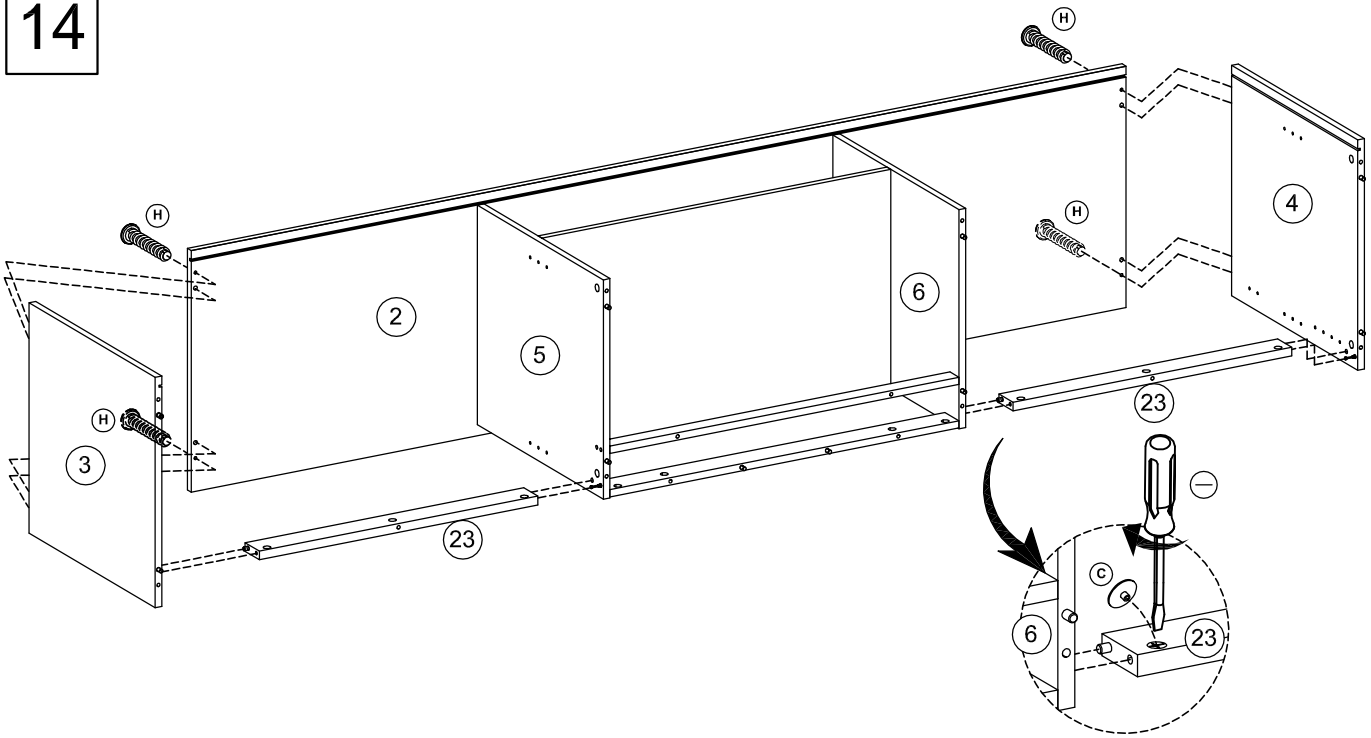


13

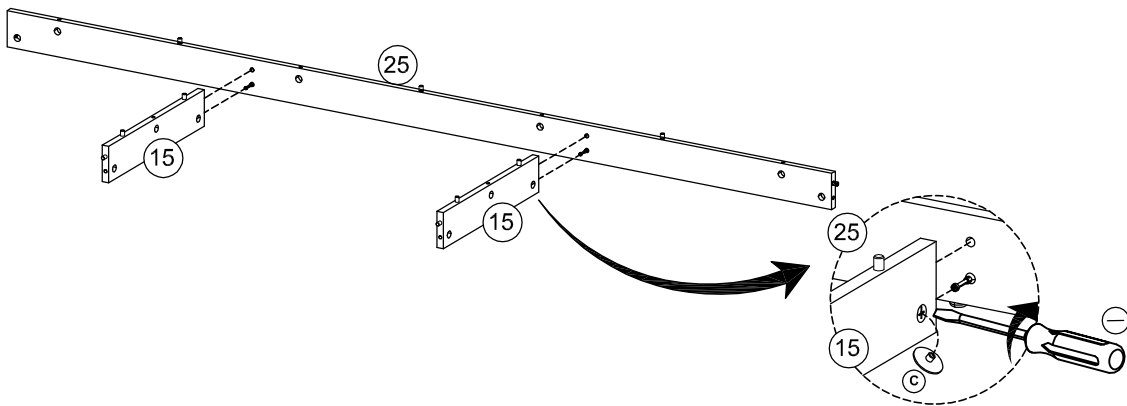


OLB2100SOWS

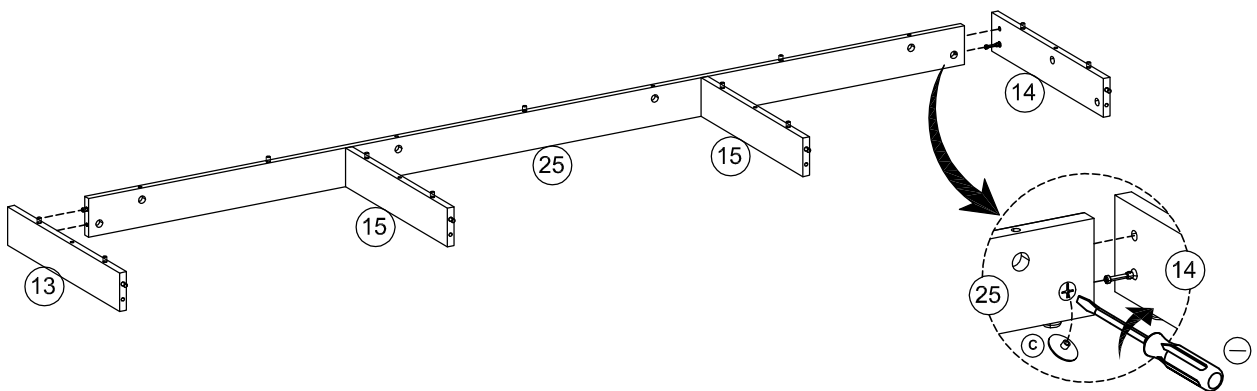
14



15

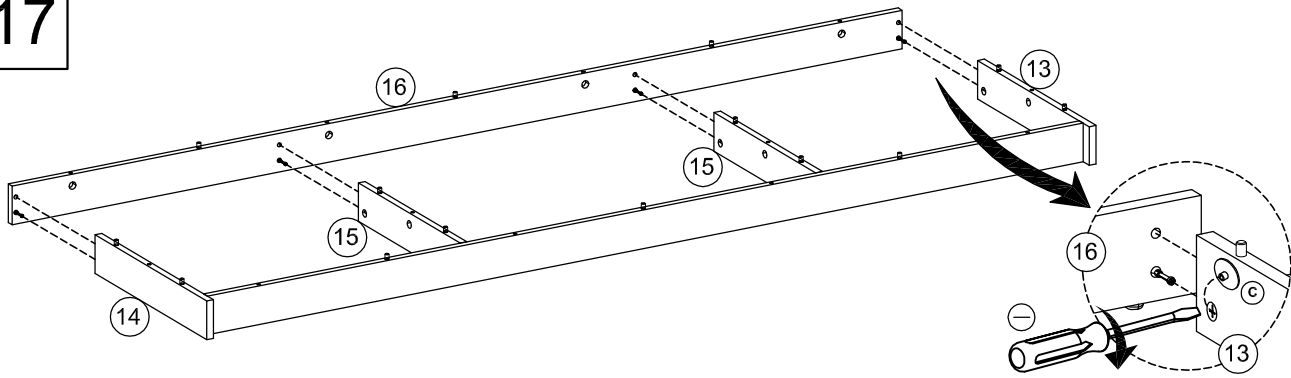


16

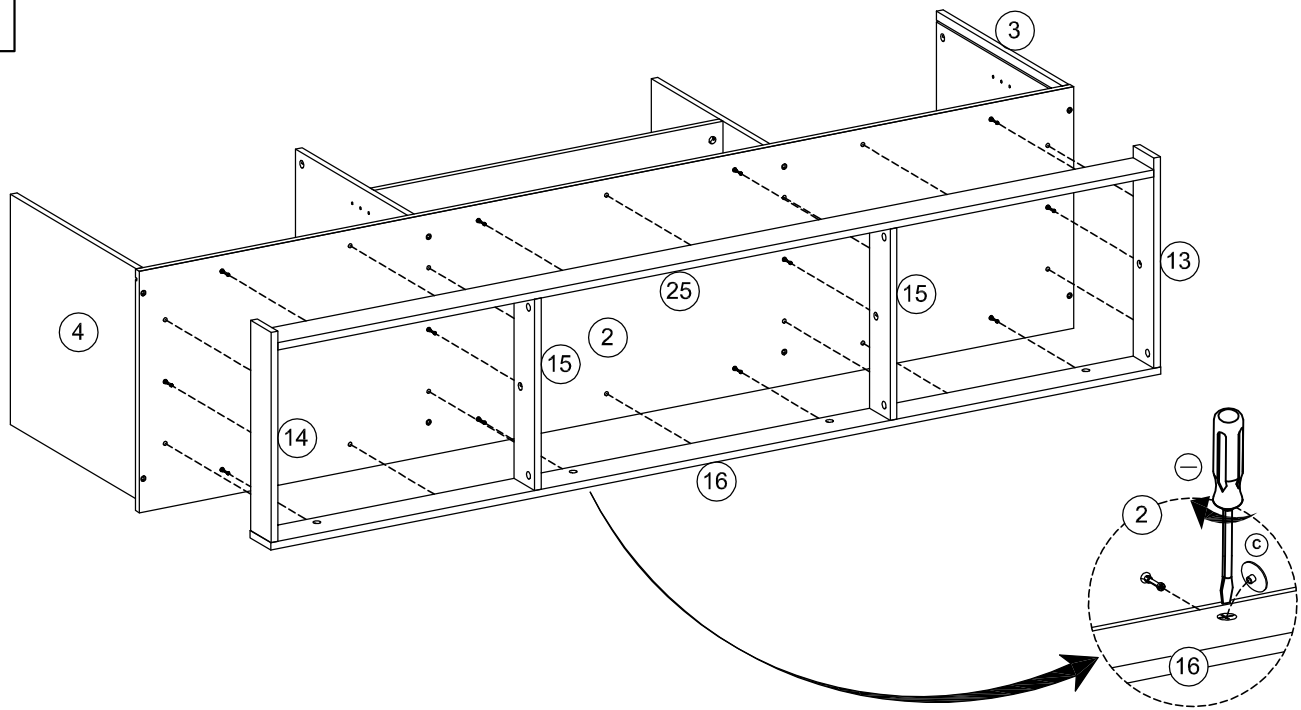


OLB2100SOWS

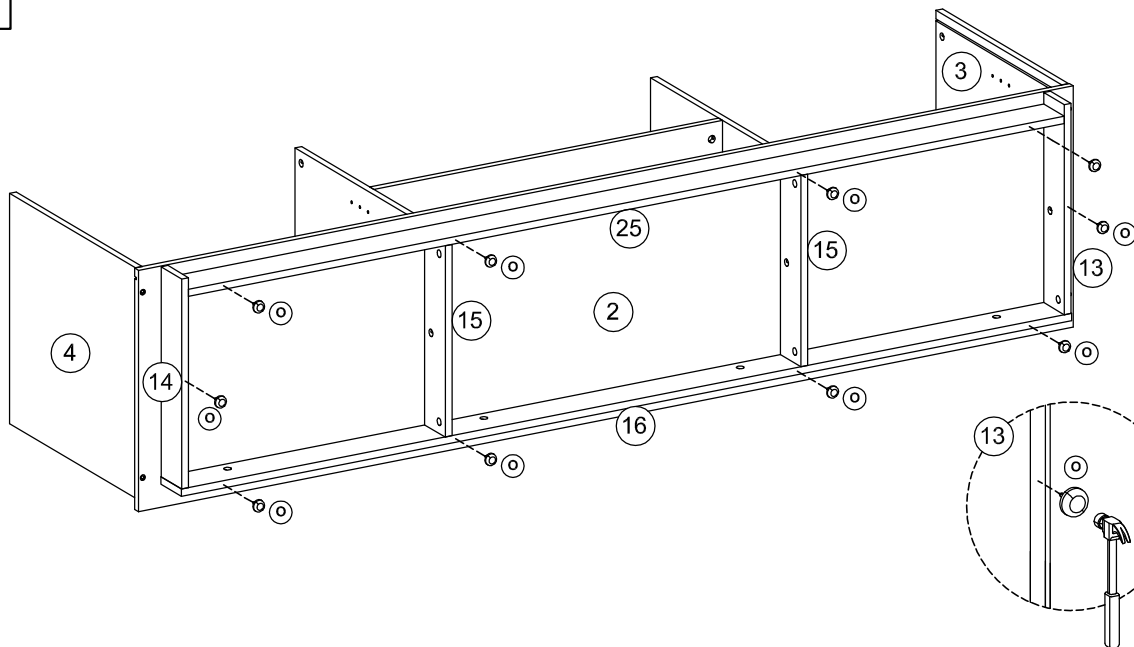
17



18

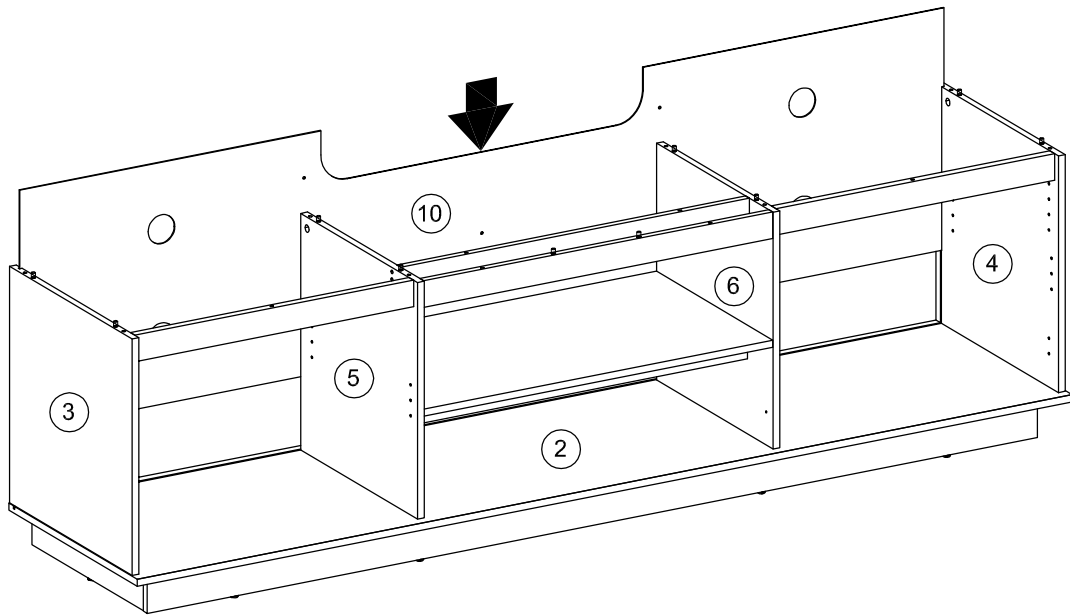


19

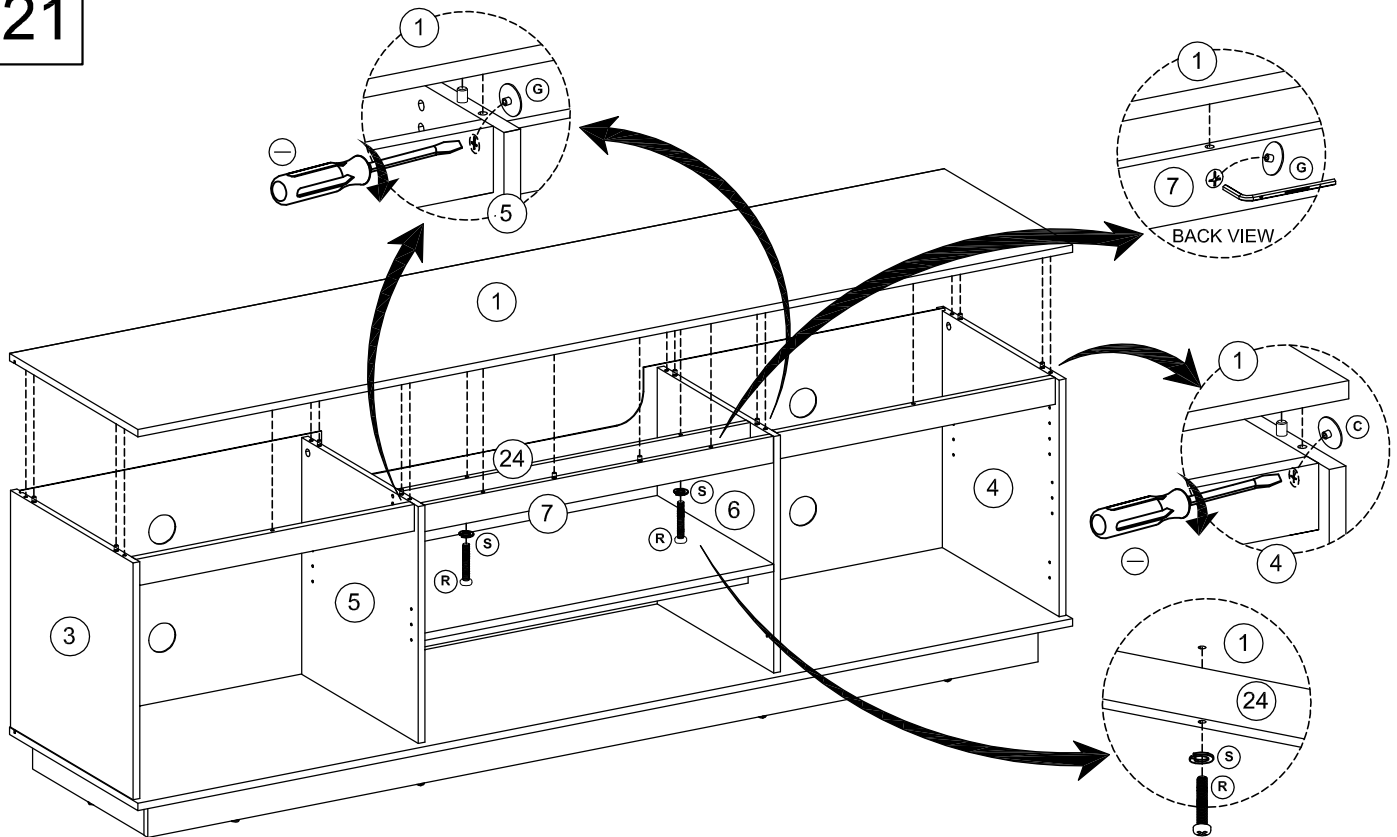


OLB2100SOWS

20

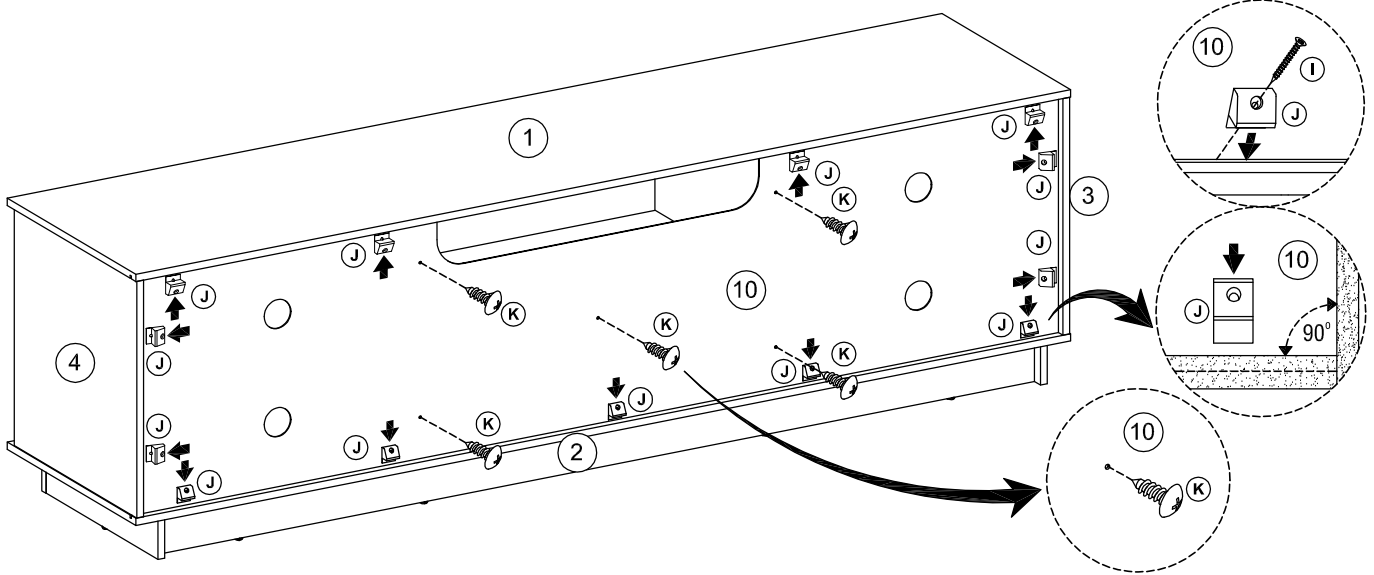


21

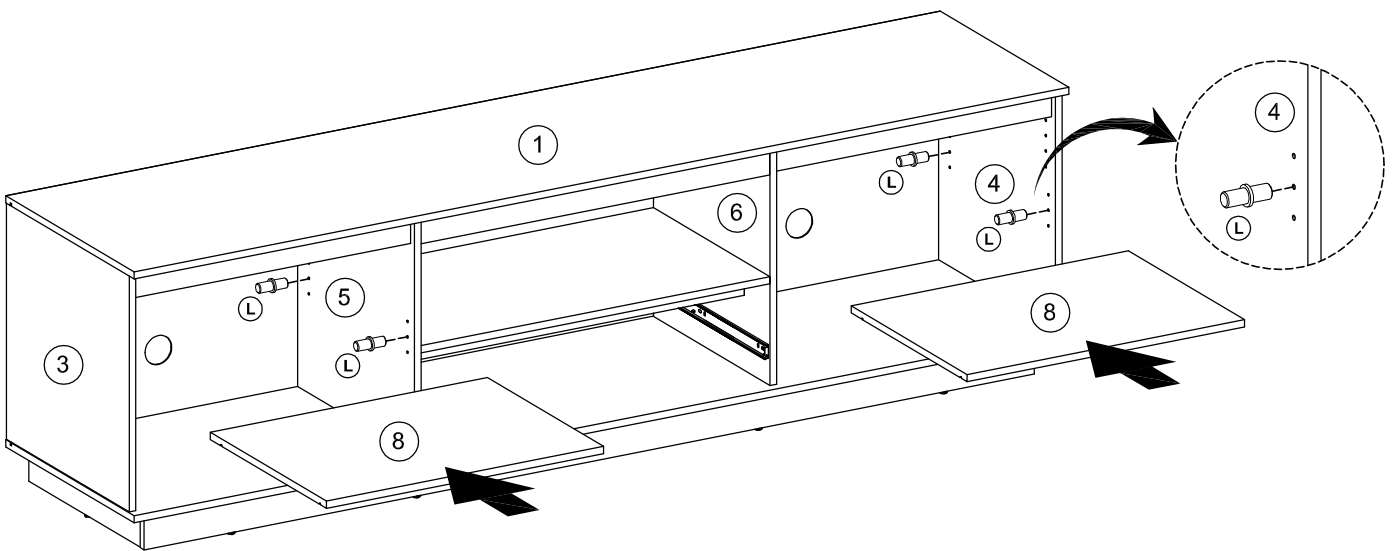


OLB2100SOWS

22

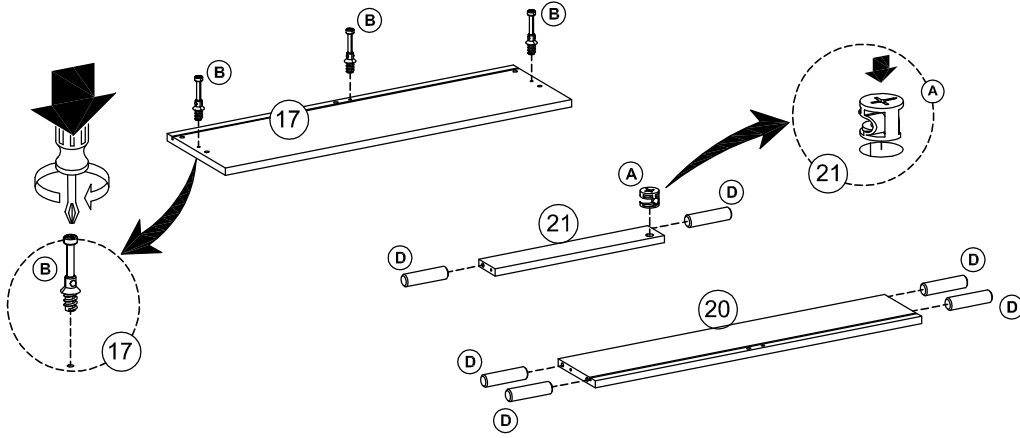


23

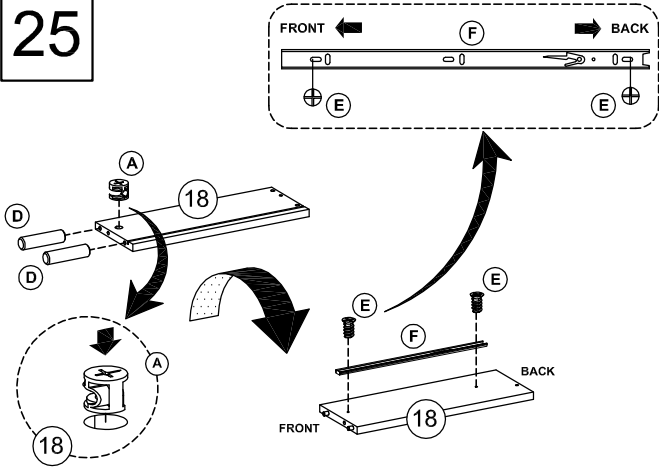


OLB2100SOWS

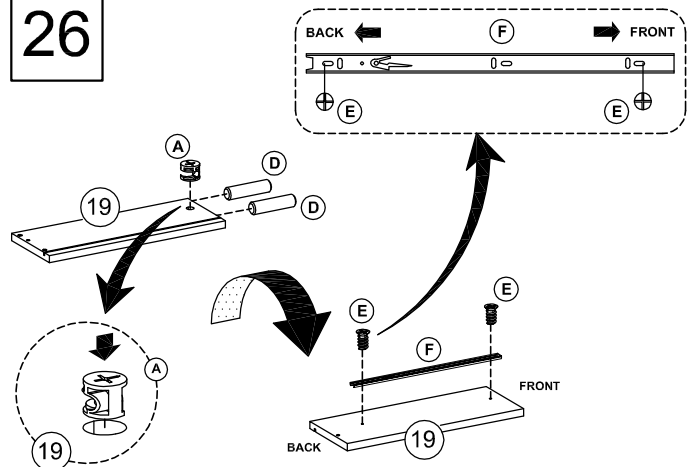
24



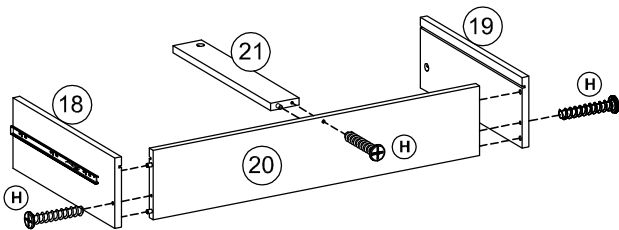
25



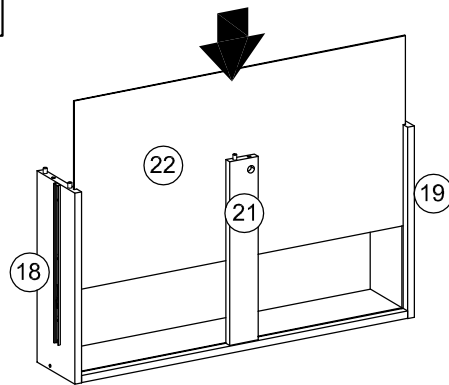
26



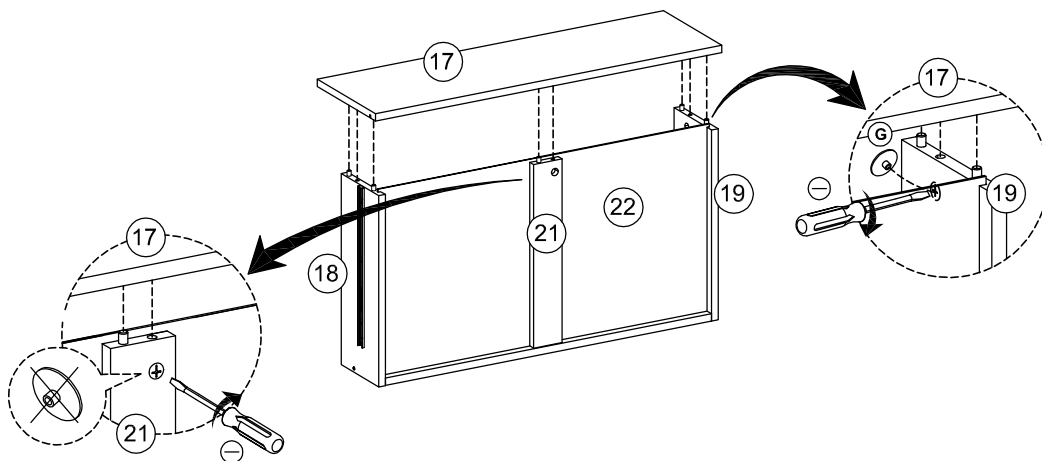
27



28

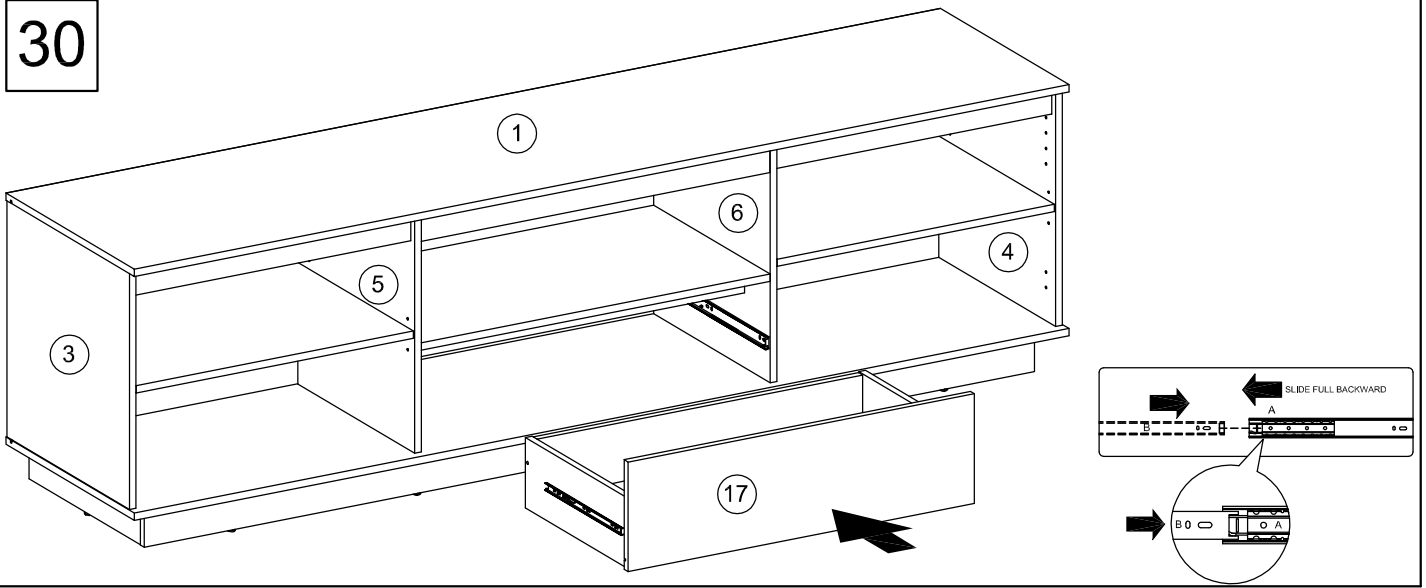


29

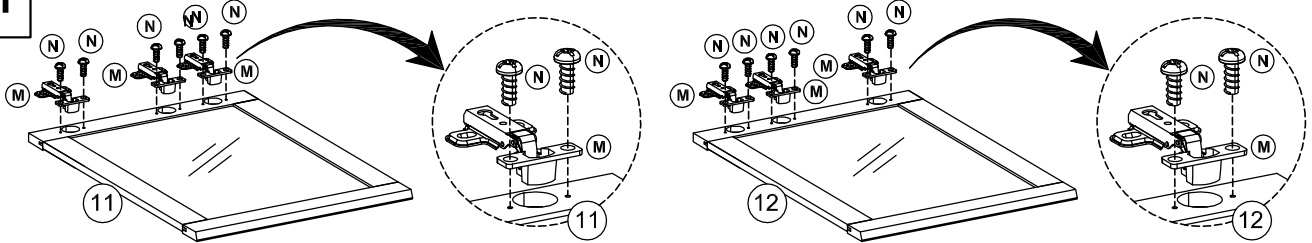


OLB2100SOWS

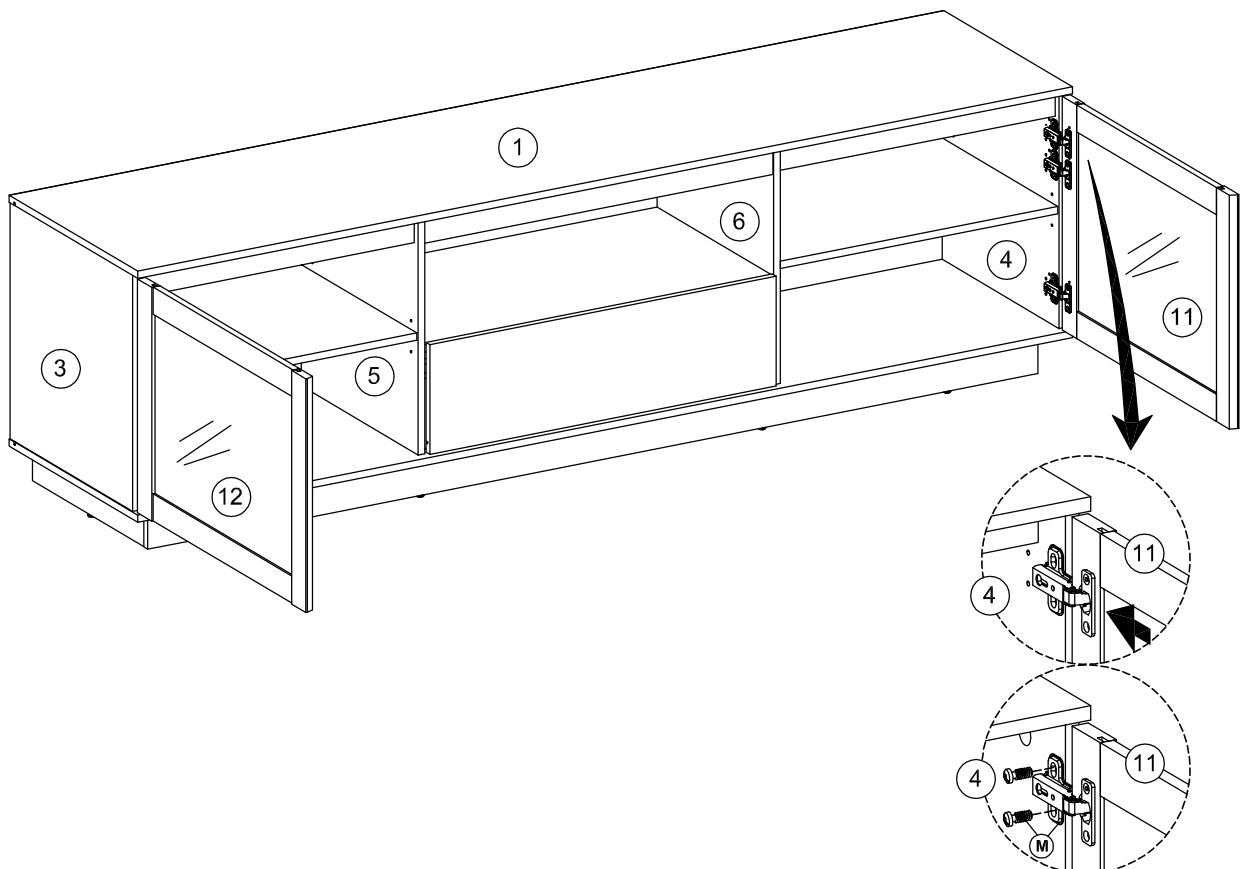
30



31

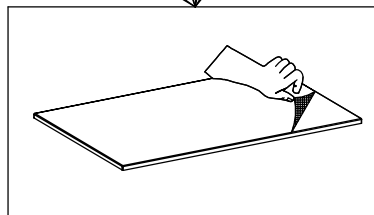
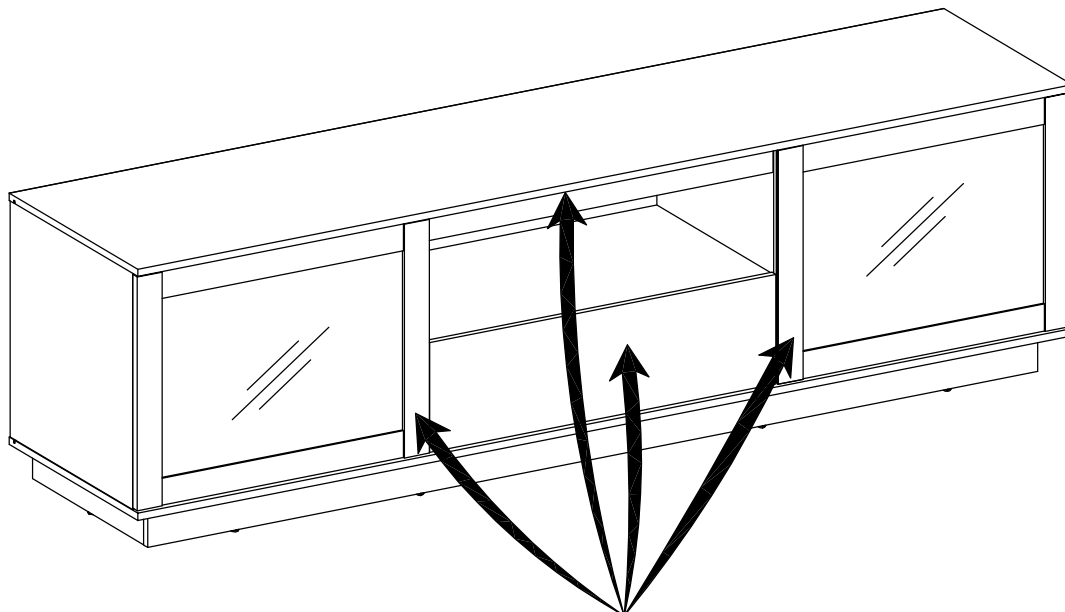




32



OLB2100SOWS

33



NO	ID PART	DRAWING PART	DESCRIPTION	UNIQUE CODE OF HARDWARE
1	A		CAMLOCK (15 X 12 MM)	OLB2100SOWSA
2	B		CAMBOLT (7,5 X 32 MM)	OLB2100SOWSB
3	C		CAM-CAP BLACK (15 MM)	OLB2100SOWSC
4	D		PEN DOWEL (8 X 32 MM)	OLB2100SOWSD
5	E		FLAT HEAD SCREW (6 X 8 MM)	OLB2100SOWSE
6	F		SINGLE EXTENTION RAIL (350 MM)	OLB2100SOWSF
7	G		WASHER PLATE	OLB2100SOWSG
8	H		FLAT HEAD SCREW (10 X 33,5 MM)	OLB2100SOWSH
9	I		FLAT HEAD SCREW (4 X 19 MM)	OLB2100SOWSI
10	J		BACKPLY STOPPER	OLB2100SOWSJ
11	K		PAN HEAD SCREW (4 X 12 MM)	OLB2100SOWSK
12	L		PEN RACK	OLB2100SOWSL
13	M		HINGE	OLB2100SOWSM
14	N		PAN HEAD SCREW (4 X 10 MM)	OLB2100SOWSN
15	O		NAIL LEG	OLB2100SOWSO
16	P		ALLEN KEY	OLB2100SOWSP
17	Q		PAN HEAD SCREW (6 X 30 MM)	OLB2100SOWSQ
18	R		PAN HEAD SCREW (6 X 45 MM)	OLB2100SOWSR

NO	ID PART	DESCRIPTION	UNIQUE CODE OF HARDWARE
1	1	TOP PANEL	OLB2100SOWS1
2	2	BOTTOM PANEL	OLB2100SOWS2
3	3	LEFT SIDE PANEL	OLB2100SOWS3
4	4	RIGHT SIDE PANEL	OLB2100SOWS4
5	5	LEFT DIVIDER	OLB2100SOWS5
6	6	RIGHT DIVIDER	OLB2100SOWS6
7	7	TOP SUPPORT PANEL	OLB2100SOWS7
8	8	ADJUSTABLE SHELF	OLB2100SOWS8
9	9	FIXED SHELF	OLB2100SOWS9
10	10	BACK PANEL	OLB2100SOWS10
11	11	RIGHT GLASS DOOR	OLB2100SOWS11
12	12	LEFT GLASS DOOR	OLB2100SOWS12
13	13	BOTTOM SUPPORT PANEL (LEFT)	OLB2100SOWS13
14	14	BOTTOM SUPPORT PANEL (RIGHT)	OLB2100SOWS14
15	15	BOTTOM SUPPORT PANEL (MIDDLE)	OLB2100SOWS15
16	16	BOTTOM SUPPORT PANEL (FRONT)	OLB2100SOWS16
17	17	FRONT DRAWER PANEL	OLB2100SOWS17
18	18	LEFT DRAWER PANEL	OLB2100SOWS18
19	19	RIGHT DRAWER PANEL	OLB2100SOWS19
20	20	REAR DRAWER PANEL	OLB2100SOWS20
21	21	SUPPORT DRAWER PANEL	OLB2100SOWS21
22	22	BOTTOM DRAWER PANEL	OLB2100SOWS22
23	23	TOP SUPPORT PANEL (SIDE)	OLB2100SOWS23
24	24	PIPE SUPPORT 783X35X15 MM	OLB2100SOWS24
25	25	BOTTOM SUPPORT PANEL (REAR)	OLB2100SOWS25