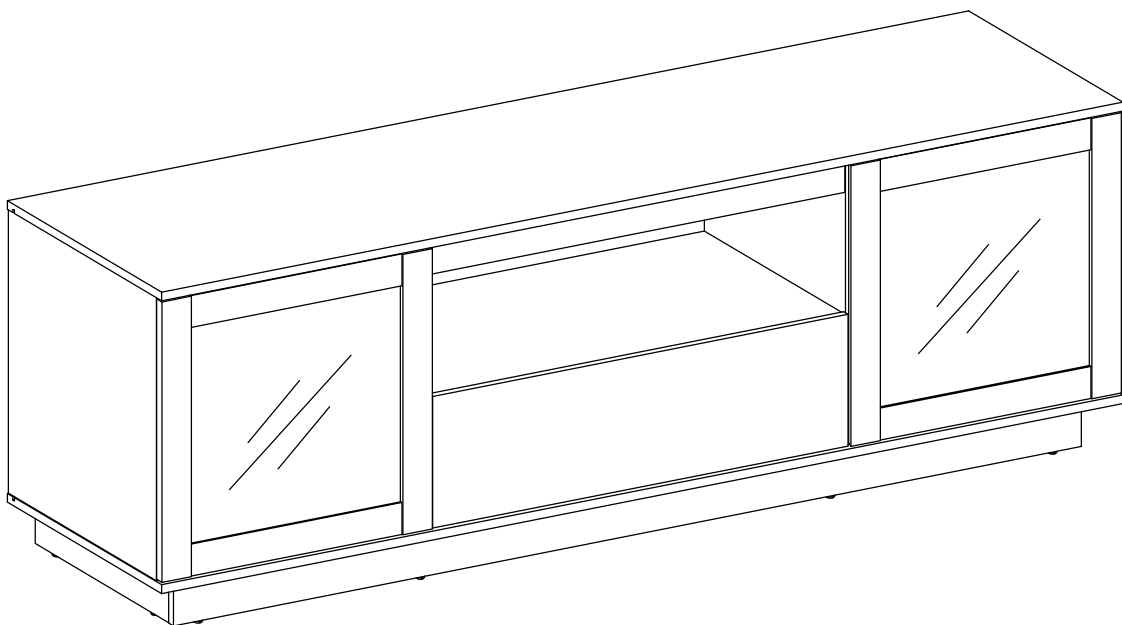




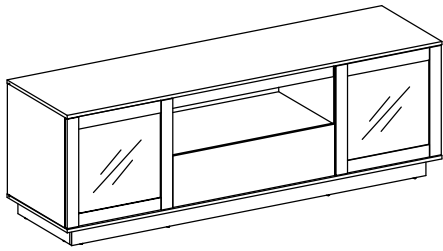
ASSEMBLY INSTRUCTIONS

OLB1800SOWS

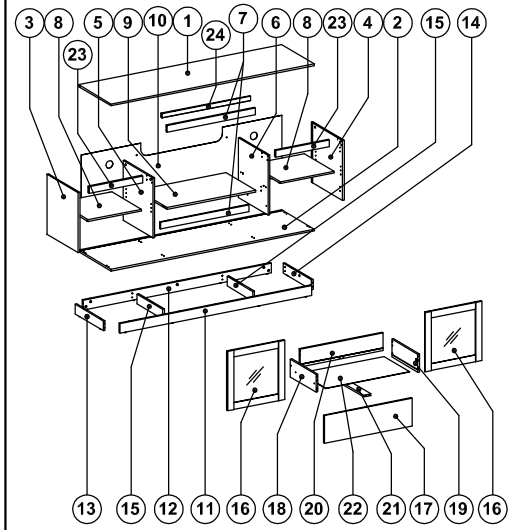
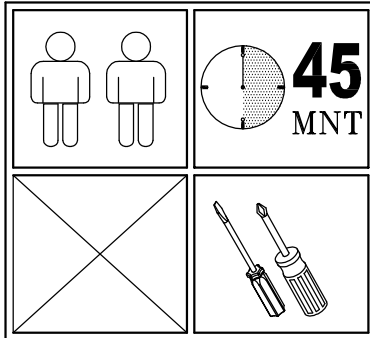


Thank you for choosing AVS OLB1800SOWS Furniture. Before beginning assembly, please check all parts are included and undamaged. For any assembly or parts enquiries, please contact Arisit Pty Ltd on 1300 762 219 or email to arisit@arisit.com

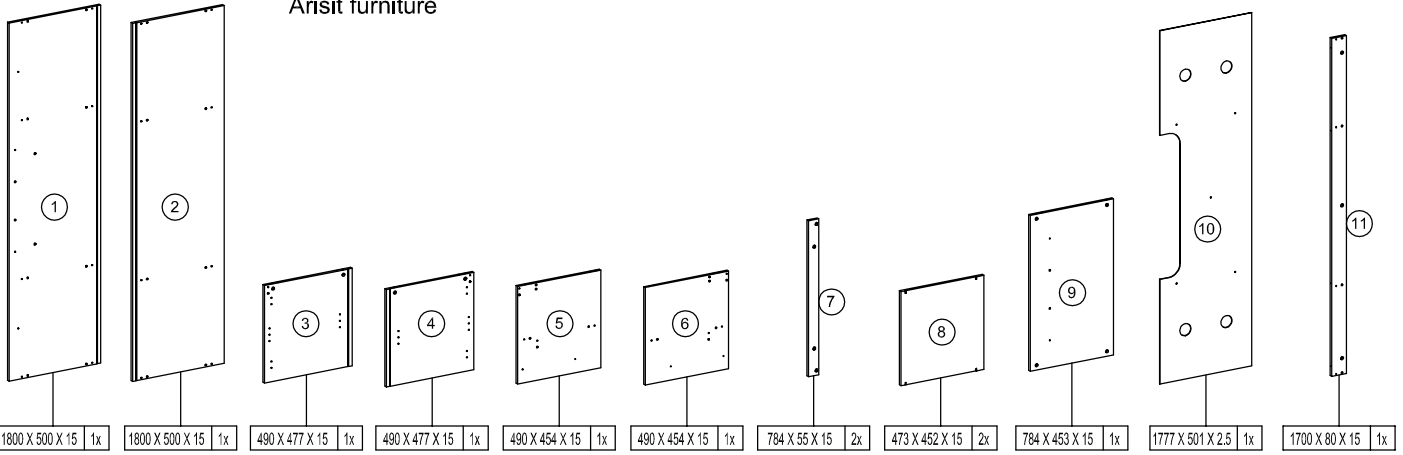
OLB1800SOWS



The cabinet top supports up to 55 kg (121 lbs.)

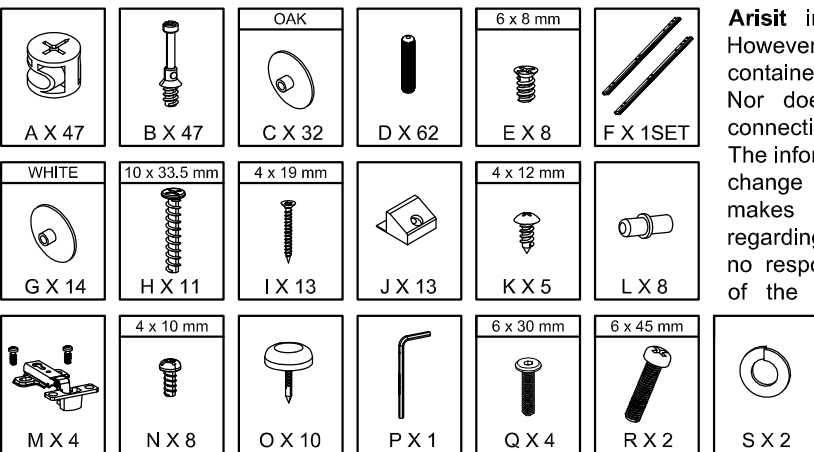
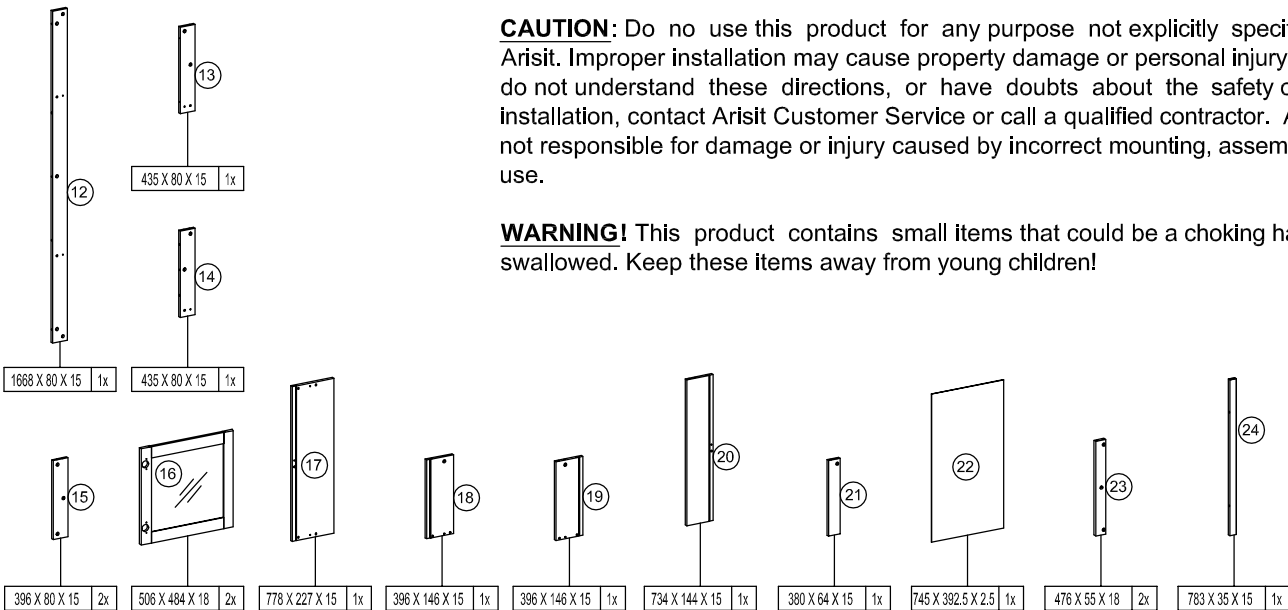


PRODUCT CARE: Care for your furniture by cleaning with glass cleaner and a disposable paper towel, do NOT use abrasive chemical products to clean your Arisit furniture



CAUTION: Do not use this product for any purpose not explicitly specified by Arisit. Improper installation may cause property damage or personal injury. If you do not understand these directions, or have doubts about the safety of the installation, contact Arisit Customer Service or call a qualified contractor. Arisit is not responsible for damage or injury caused by incorrect mounting, assembly, or use.

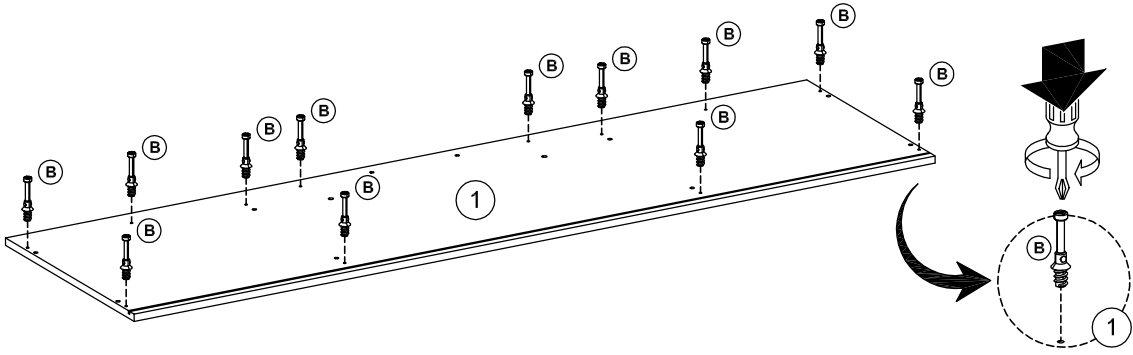
WARNING! This product contains small items that could be a choking hazard if swallowed. Keep these items away from young children!



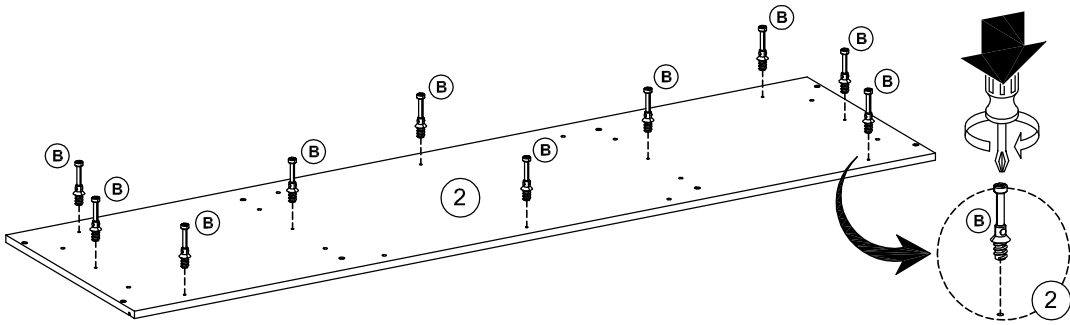
Arisit intends to make this manual accurate and complete. However, Arisit makes no claim that the information contained herein covers all details, conditions, or variations. Nor does it provide for every possible contingency in connection with the installation or use of this product. The information contained in this document is subject to change without notice or obligation of any kind. Arisit makes no representation of warranty, expressed or implied, regarding the information contained herein. Arisit assumes no responsibility for accuracy, completeness or sufficiency of the information contained in this document.

OLB1800SOWS

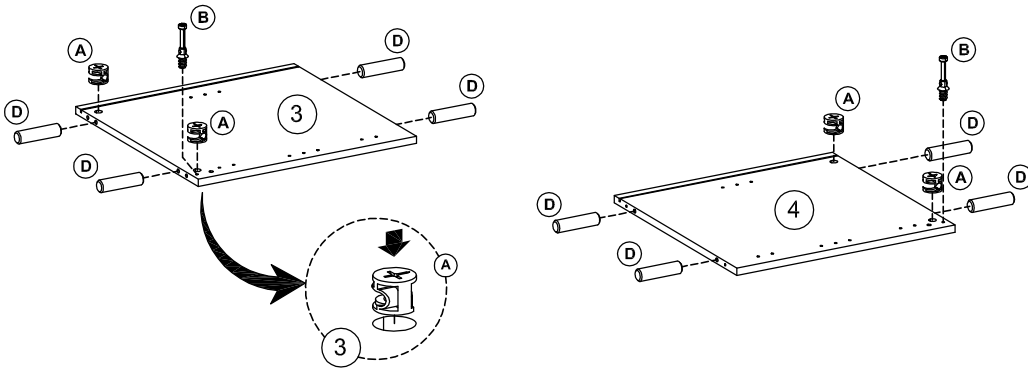
1



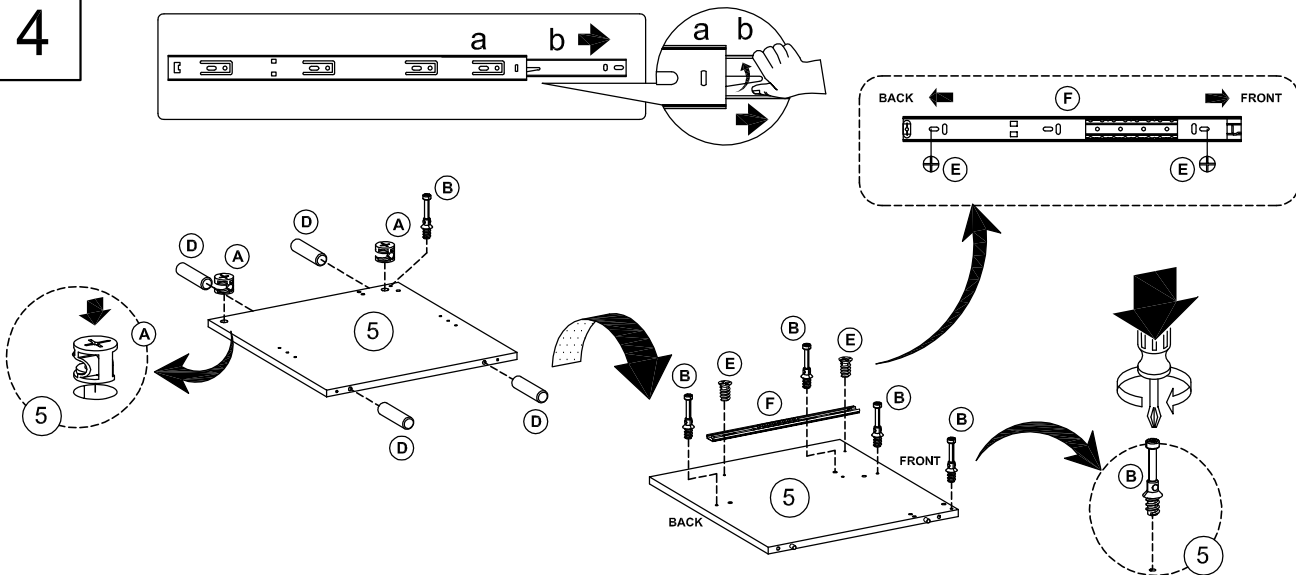
2



3

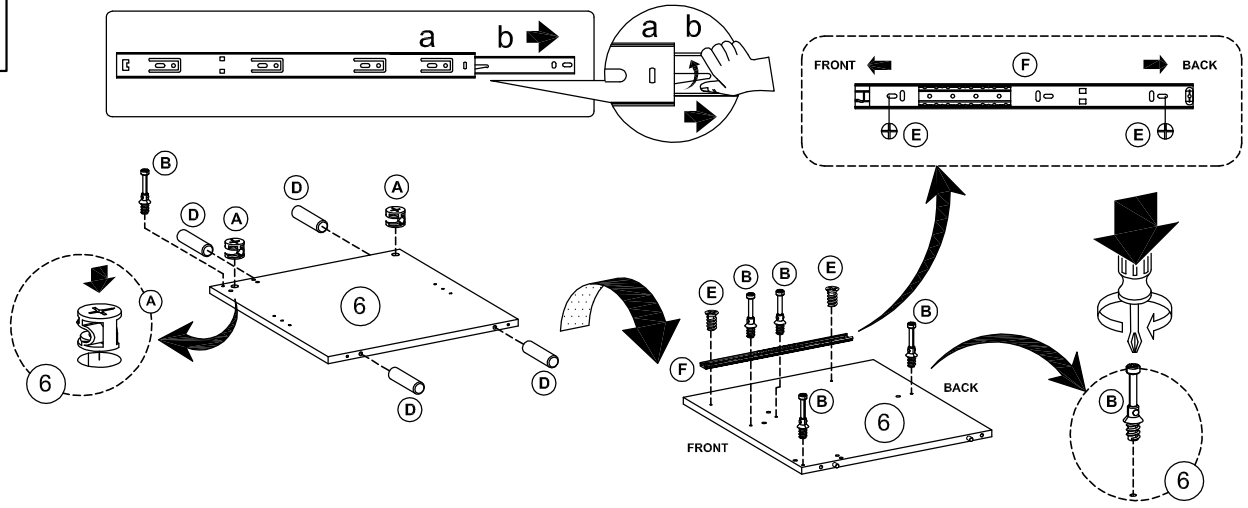


4

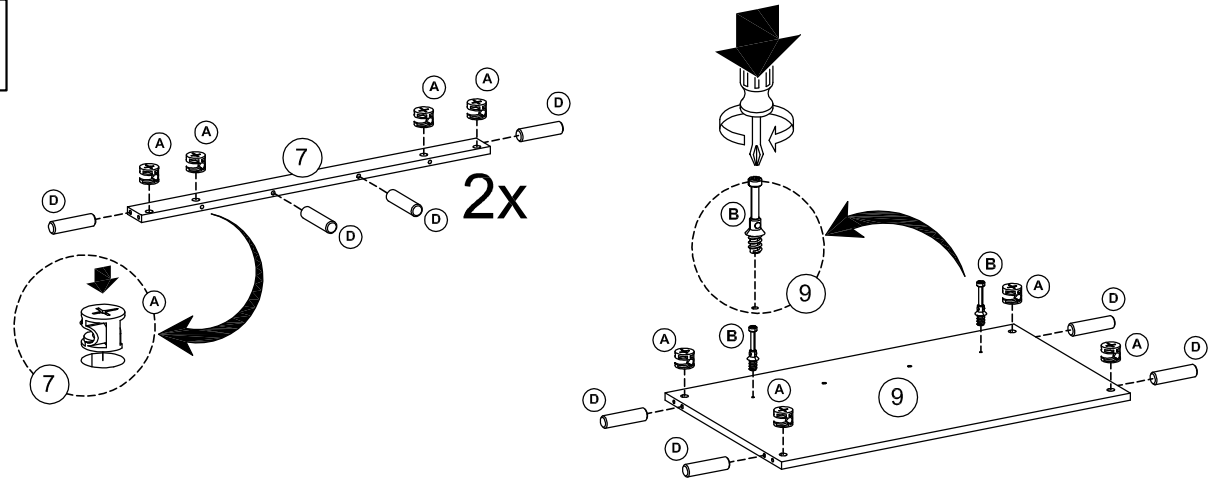


OLB1800SOWS

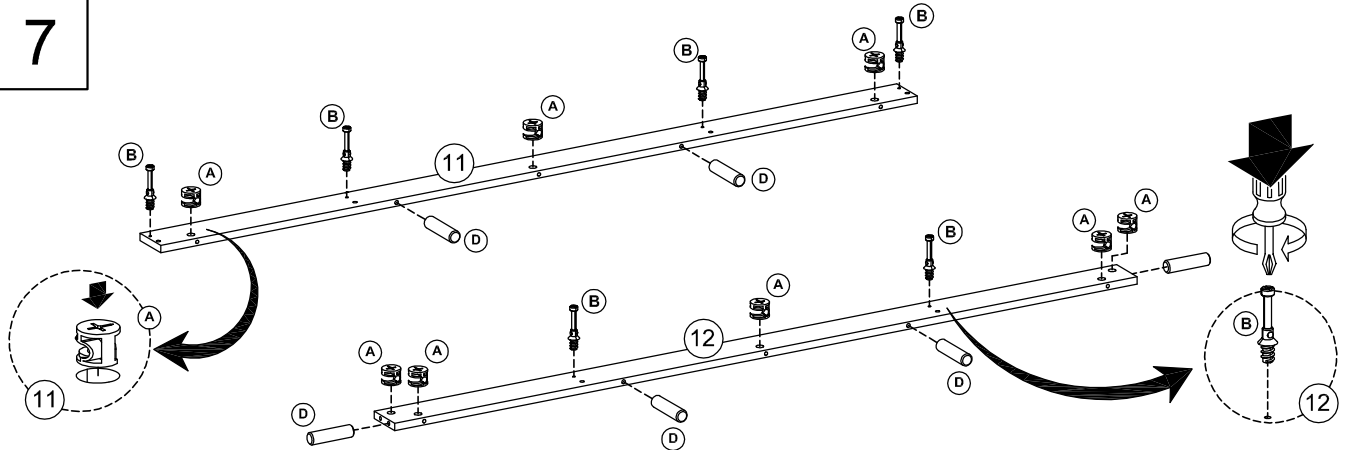
5



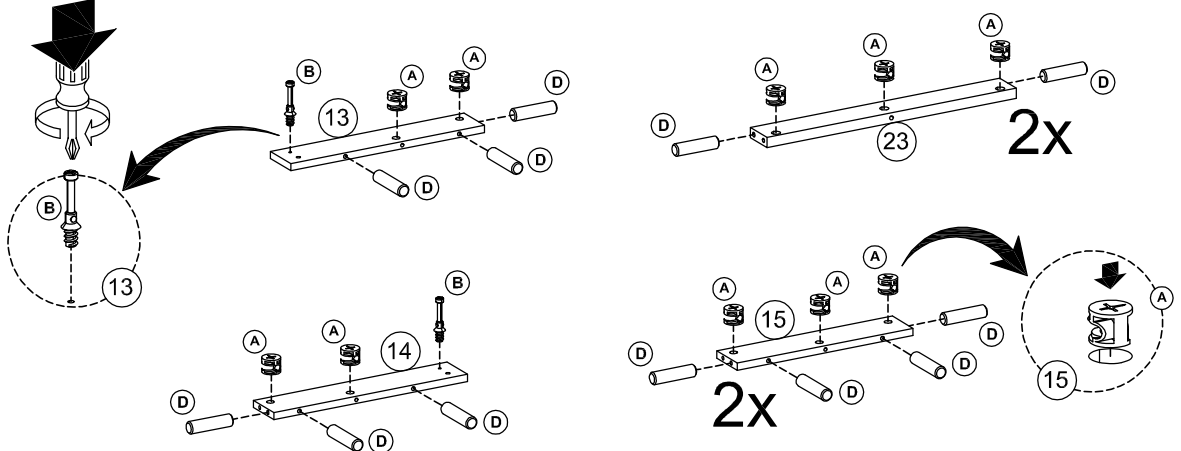
6



7

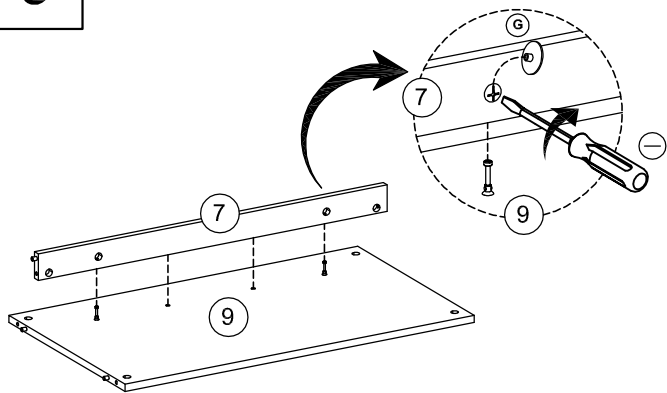


8

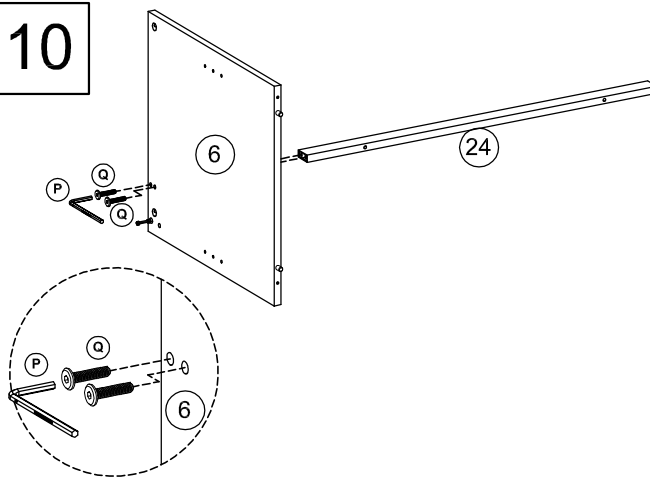


OLB1800SOWS

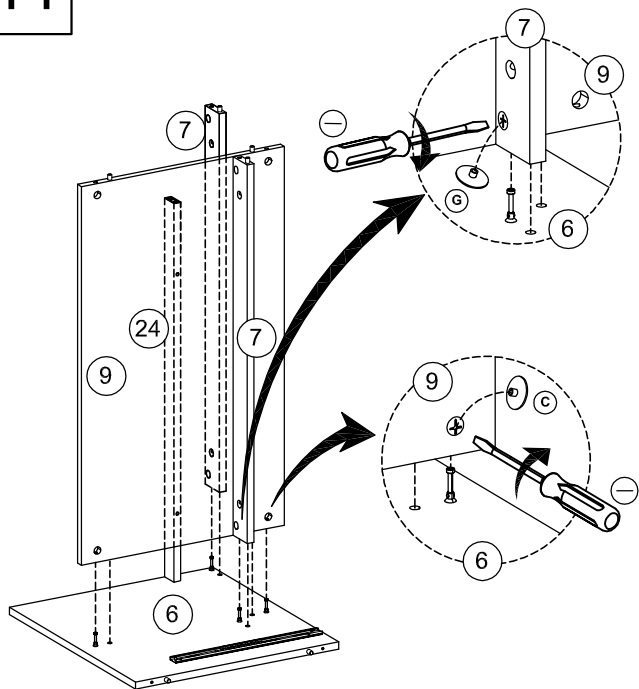
9



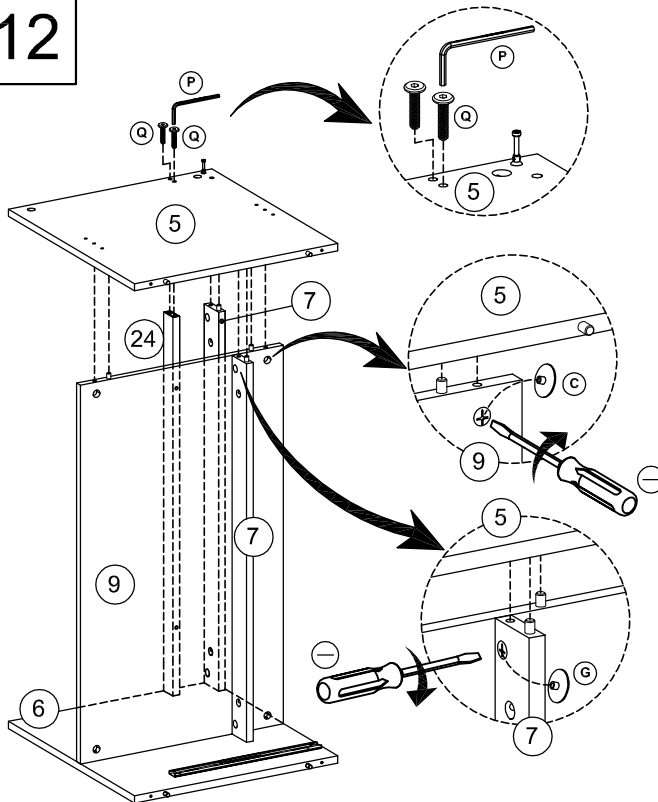
10



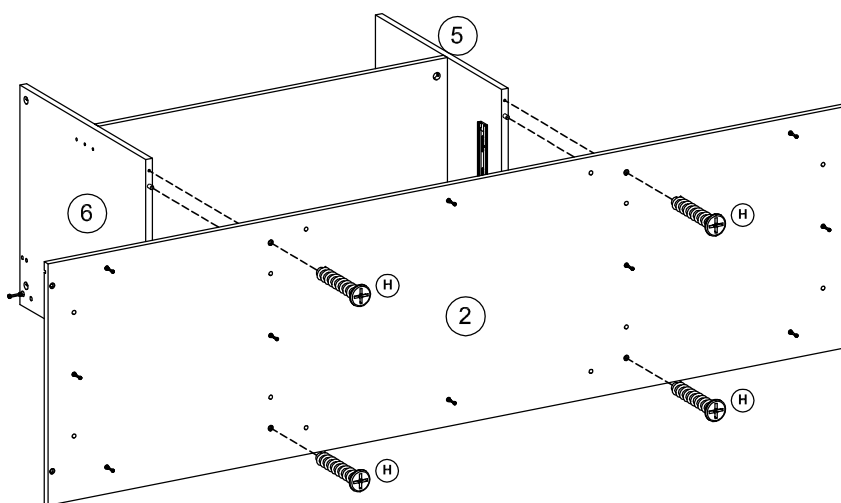
11



12

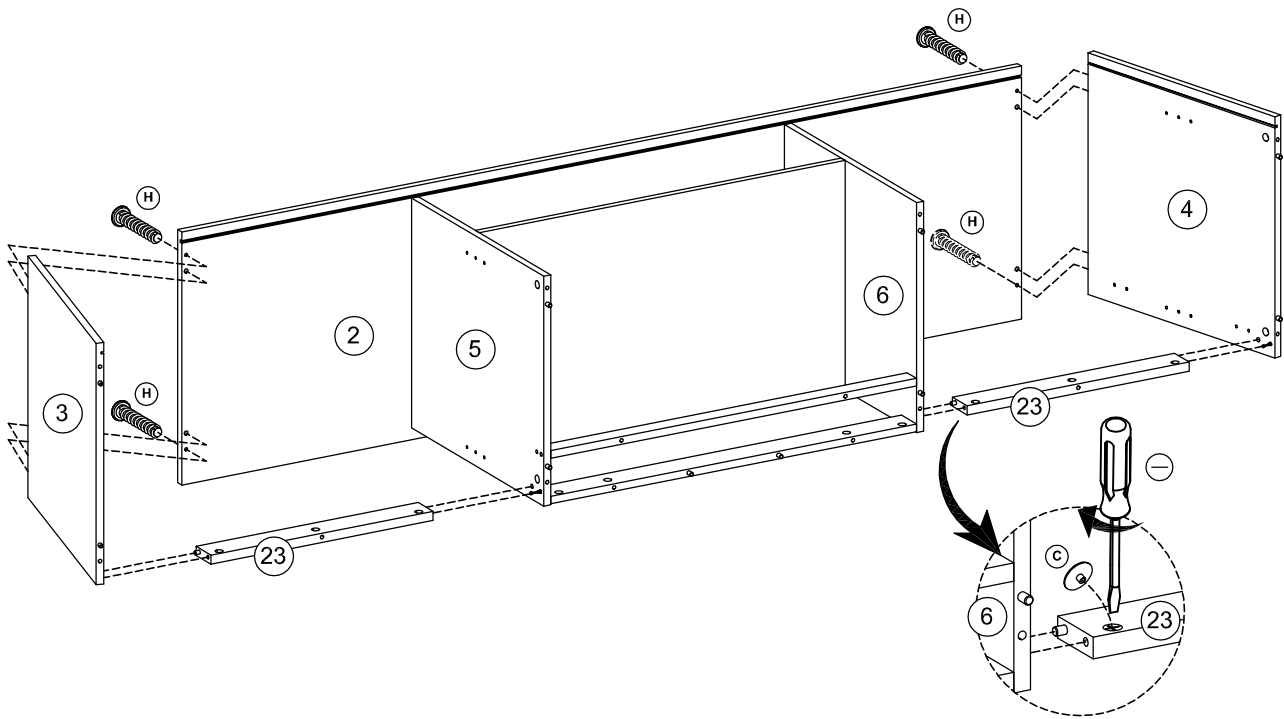


13

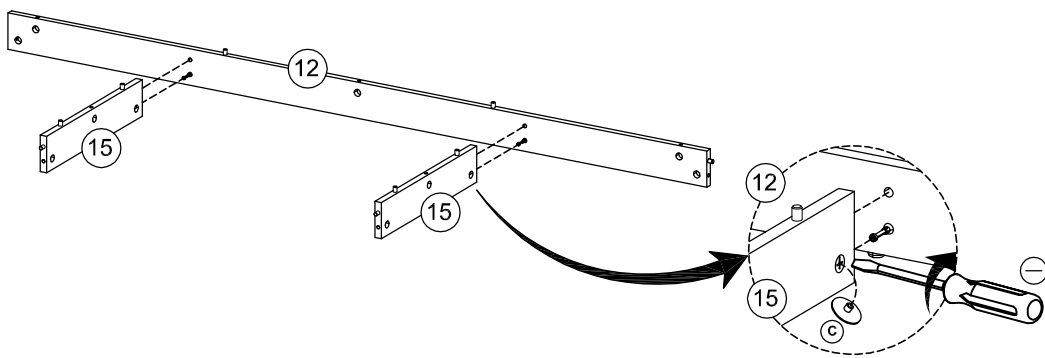


OLB1800SOWS

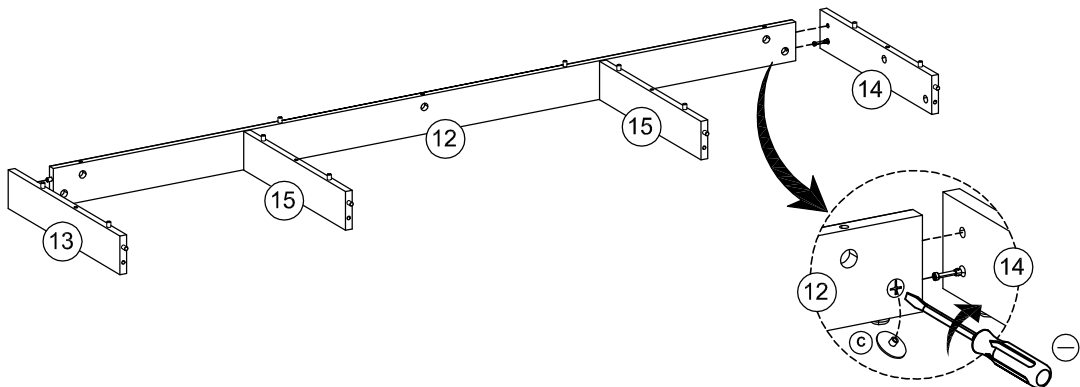
14



15

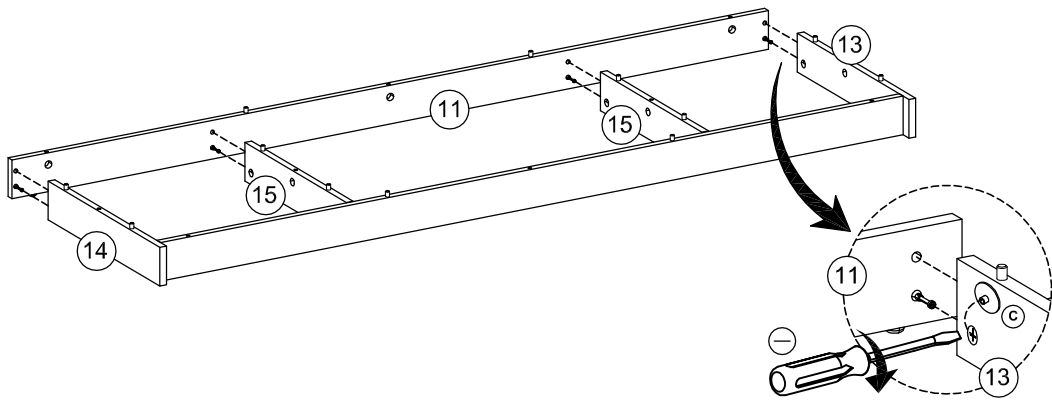


16

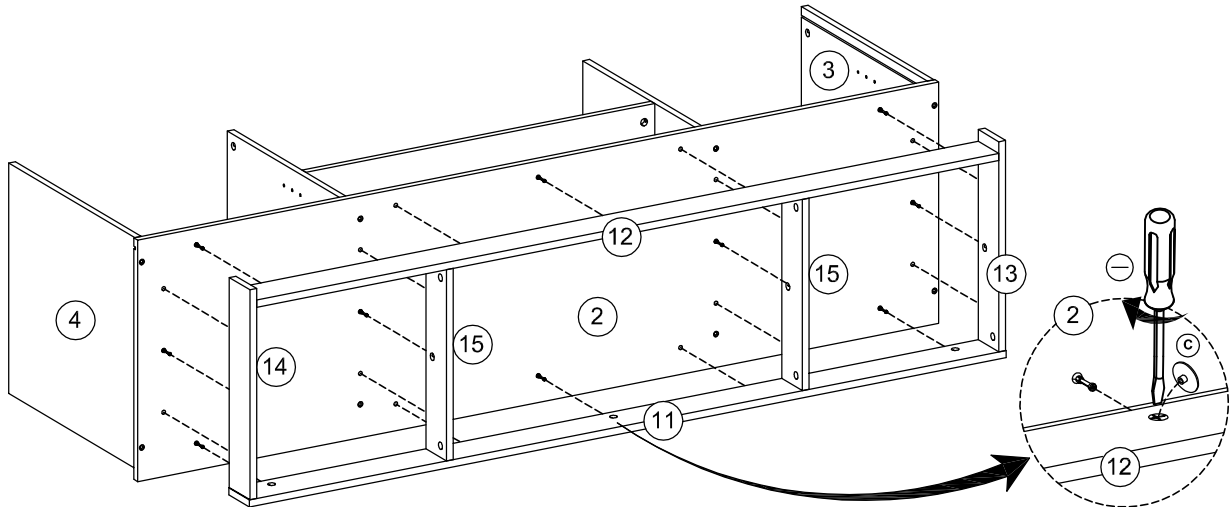


OLB1800SOWS

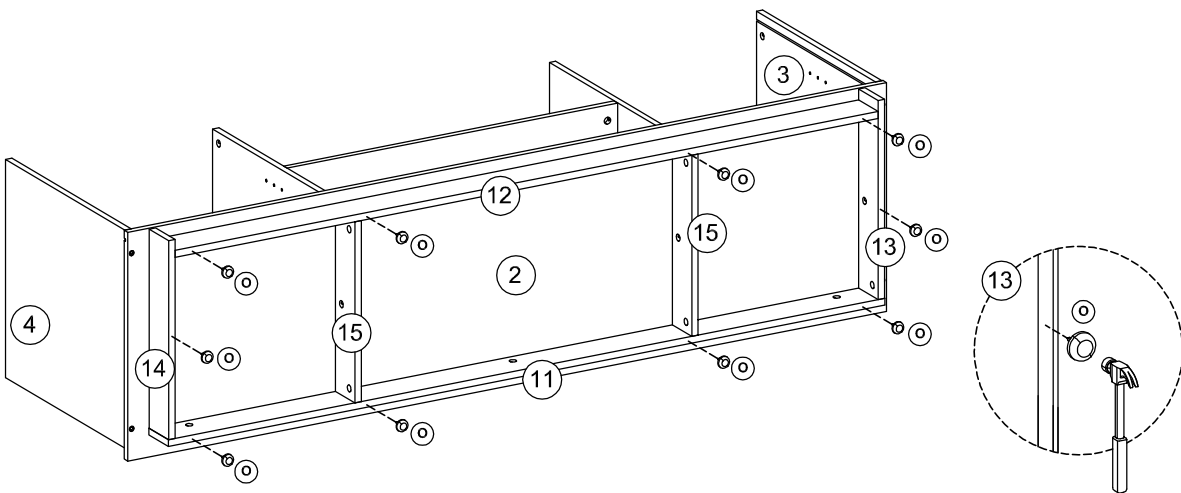
17



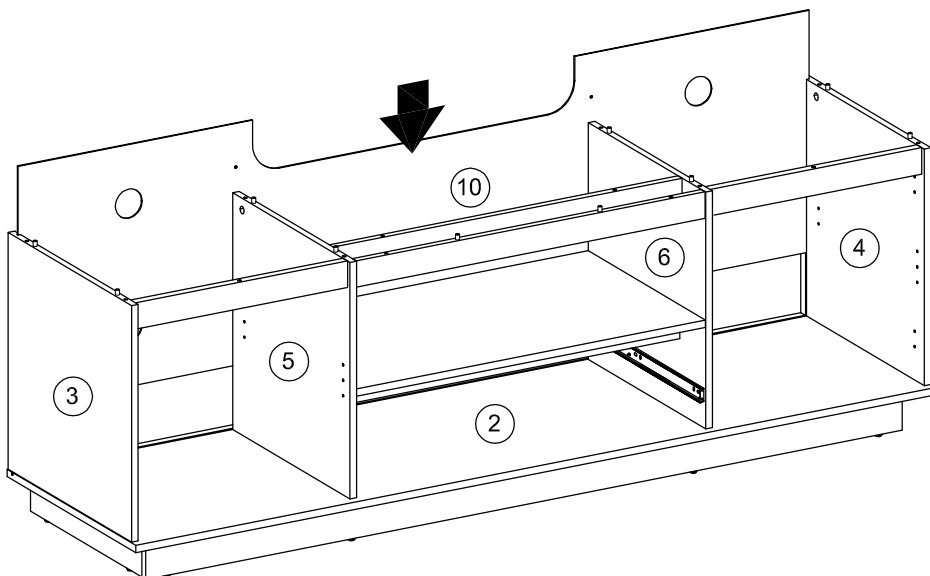
18



19

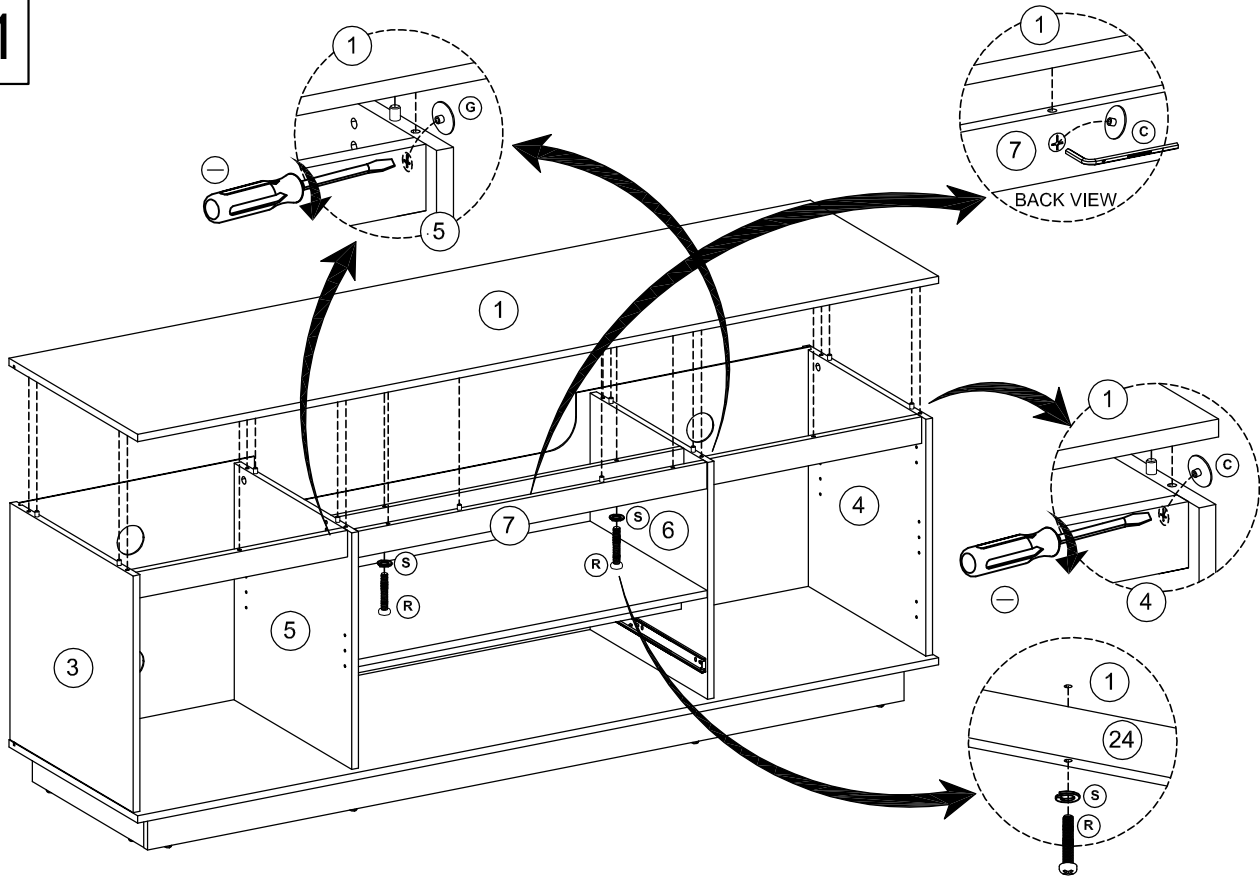


20

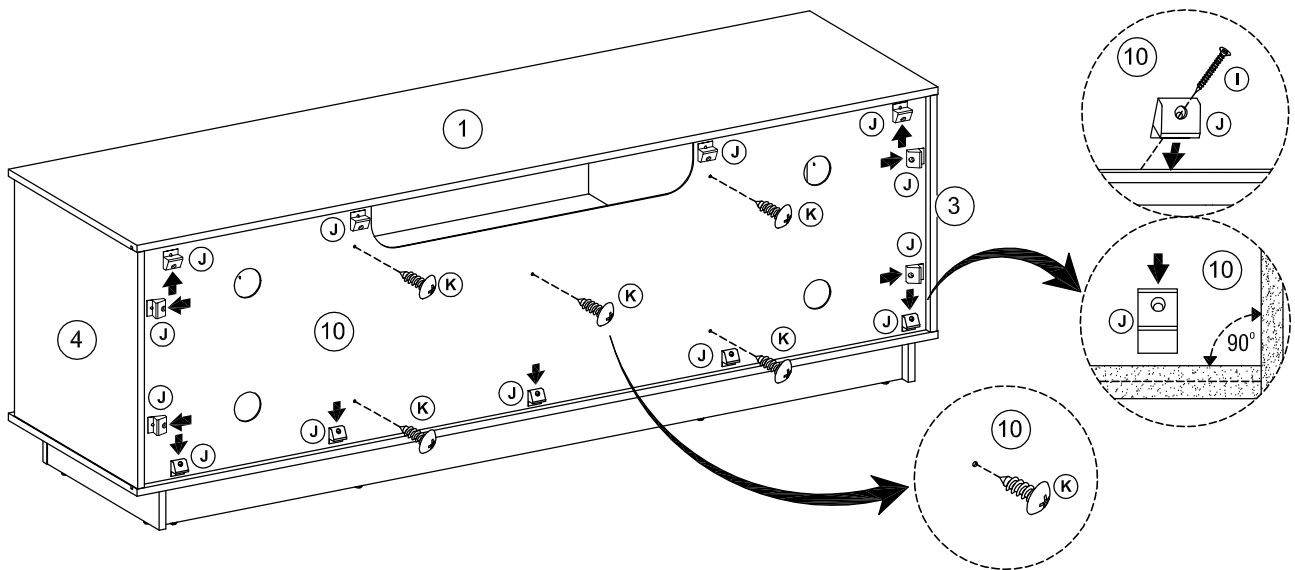


OLB1800SOWS

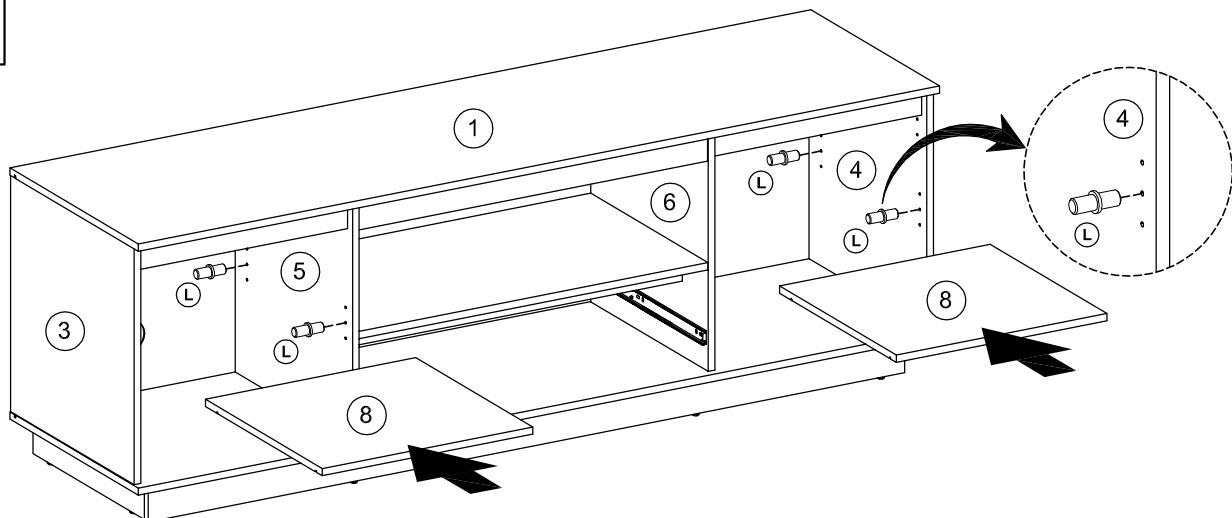
21



22

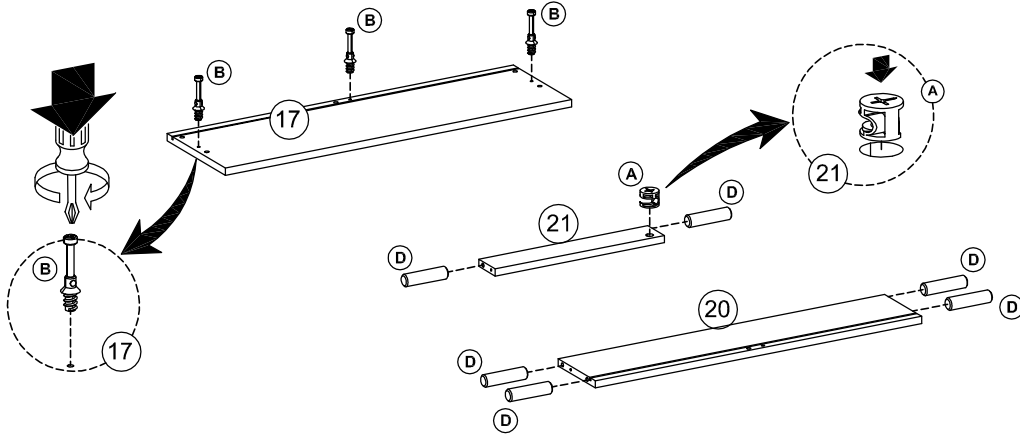


23

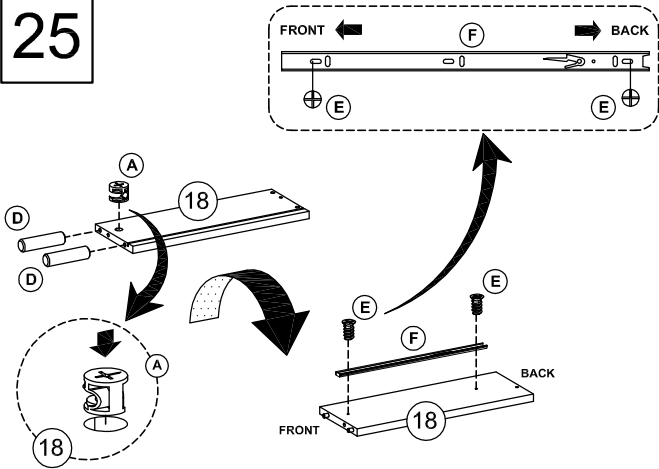


OLB1800SOWS

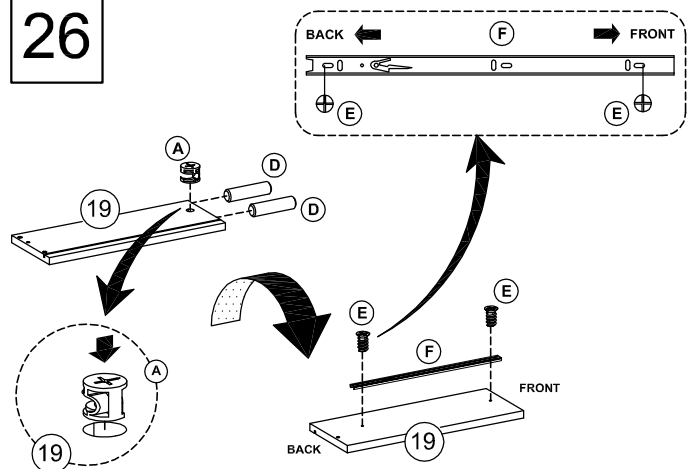
24



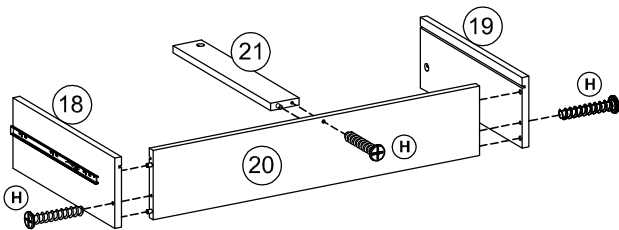
25



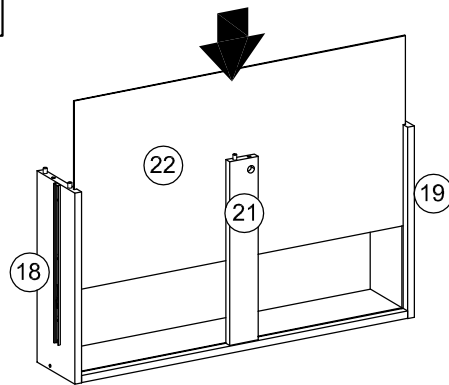
26



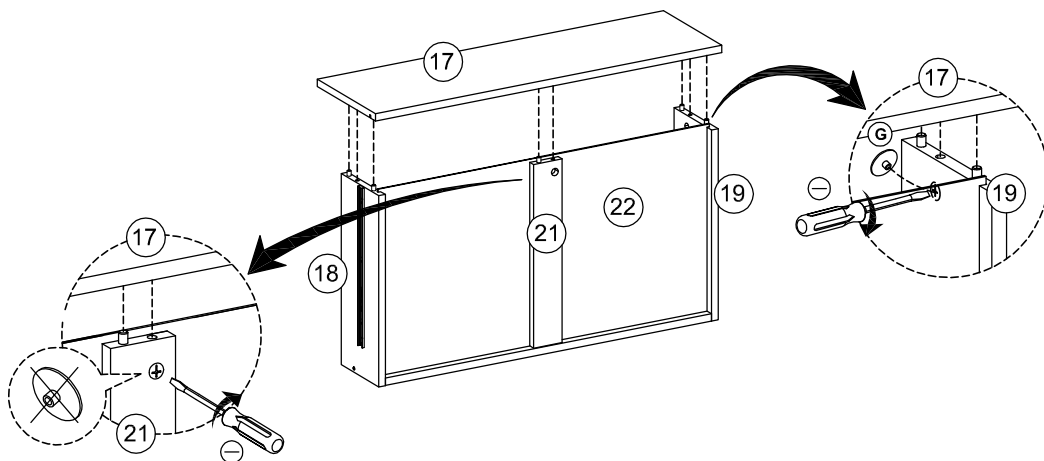
27



28

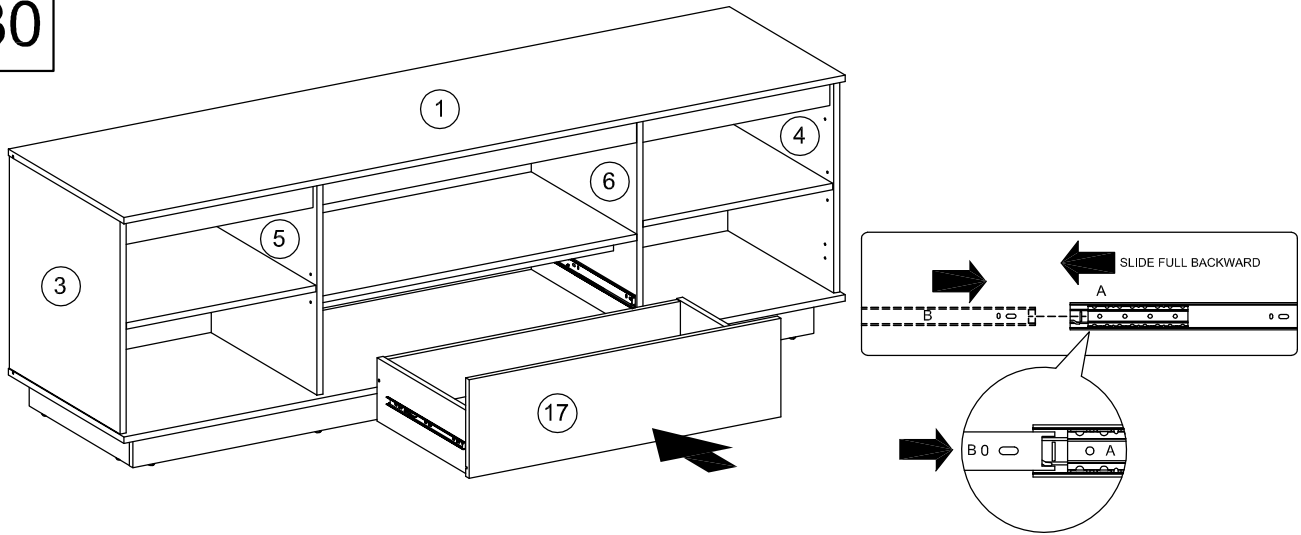


29

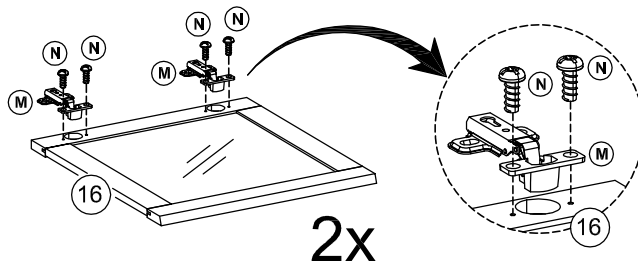


OLB1800SOWS

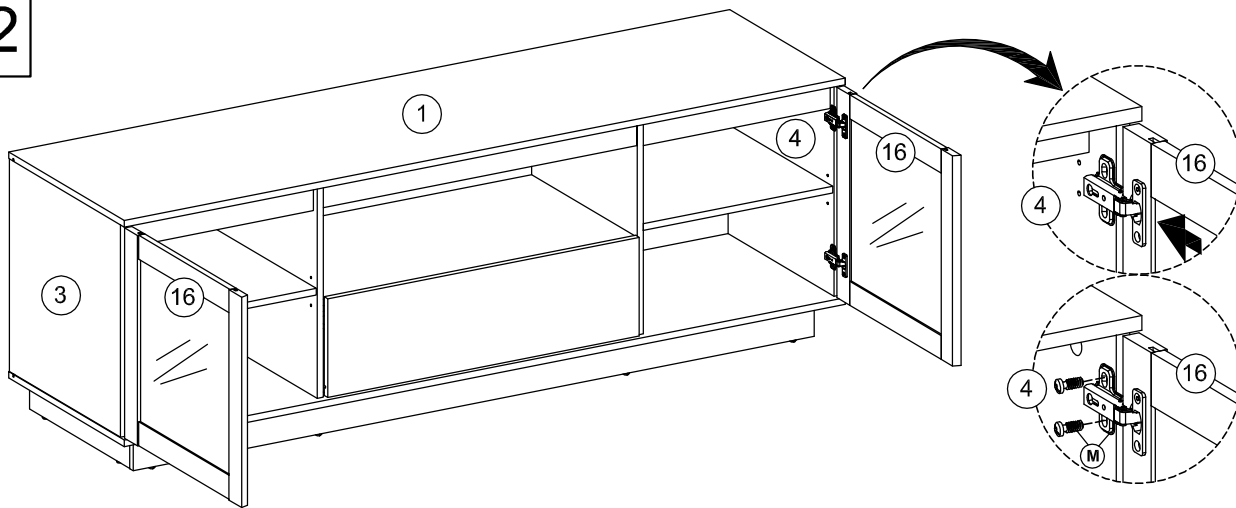
30



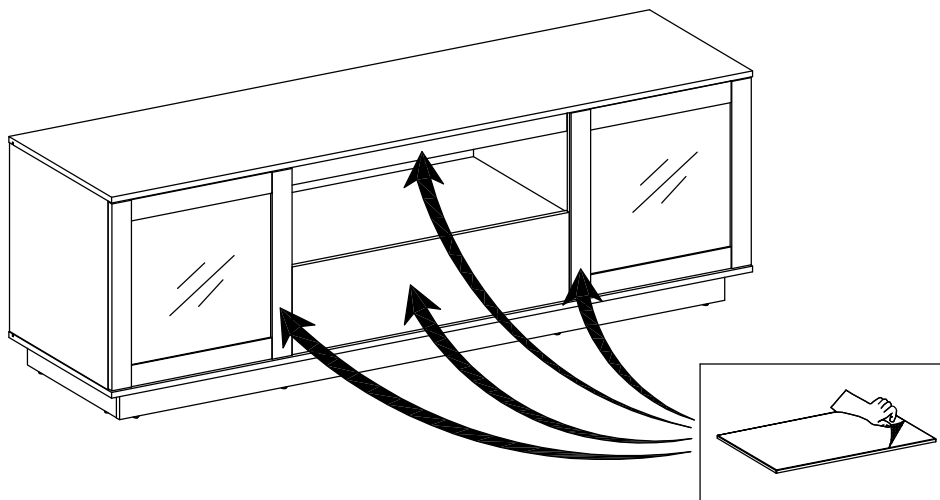
31




















32



33



PART NUMBER REFERENCE

NO	ID PART	DRAWING PART	DESCRIPTION	UNIQUE CODE OF HARDWARE
1	A		CAMLOCK (15 X 12 MM)	OLB1800SOWA
2	B		CAMBOLT (7,5 X 32 MM)	OLB1800SOWB
3	C		CAM-CAP OAK (15 MM)	OLB1800SOWC
4	D		PEN DOWEL (8 X 32 MM)	OLB1800SOWD
5	E		FLAT HEAD SCREW (6 X 8 MM)	OLB1800SOWE
6	F		SINGLE EXTENTION RAIL (350 MM)	OLB1800SOWF
7	G		CAM-CAP WHITE (15 MM)	OLB1800SOWG
8	H		FLAT HEAD SCREW (10 X 33,5 MM)	OLB1800SOWH
9	I		FLAT HEAD SCREW (4 X 19 MM)	OLB1800SOWI
10	J		BACKPLY STOPPER	OLB1800SOWJ
11	K		PAN HEAD SCREW (4 X 12 MM)	OLB1800SOWK
12	L		PEN RACK	OLB1800SOWL
13	M		HINGE	OLB1800SOWM
14	N		PAN HEAD SCREW (4 X 10 MM)	OLB1800SOWN
15	O		NAIL LEG	OLB1800SOWO
16	P		ALLEN KEY	OLB1800SOWP
17	Q		PAN HEAD SCREW (6 X 30 MM)	OLB1800SOWQ
18	R		PAN HEAD SCREW (6 X 45 MM)	OLB1800SOWR
19	S		WASHER PLATE	OLB1800SOWS

NO	ID PART	DESCRIPTION	UNIQUE CODE OF HARDWARE
1	1	TOP PANEL	OLB1800SOW1
2	2	BOTTOM PANEL	OLB1800SOW2
3	3	LEFT SIDE PANEL	OLB1800SOW3
4	4	RIGHT SIDE PANEL	OLB1800SOW4
5	5	LEFT DIVIDER	OLB1800SOW5
6	6	RIGHT DIVIDER	OLB1800SOW6
7	7	TOP SUPPORT PANEL	OLB1800SOW7
8	8	ADJUSTABLE SHELF	OLB1800SOW8
9	9	FIXED SHELF	OLB1800SOW9
10	10	BACK PANEL	OLB1800SOW10
11	11	BOTTOM SUPPORT PANEL (FRONT)	OLB1800SOW11
12	12	BOTTOM SUPPORT PANEL (REAR)	OLB1800SOW12
13	13	BOTTOM SUPPORT PANEL (LEFT)	OLB1800SOW13
14	14	BOTTOM SUPPORT PANEL (RIGHT)	OLB1800SOW14
15	15	BOTTOM SUPPORT PANEL (MIDDLE)	OLB1800SOW15
16	16	GLASS DOOR	OLB1800SOW16
17	17	FRONT DRAWER PANEL	OLB1800SOW17
18	18	LEFT DRAWER PANEL	OLB1800SOW18
19	19	RIGHT DRAWER PANEL	OLB1800SOW19
20	20	REAR DRAWER PANEL	OLB1800SOW20
21	21	SUPPORT DRAWER PANEL	OLB1800SOW21
22	22	BOTTOM DRAWER PANEL	OLB1800SOW22
23	23	TOP SUPPORT PANEL (SIDE)	OLB1800SOW23
24	24	PIPE SUPPORT 783X35X15 MM	OLB1800SOW24