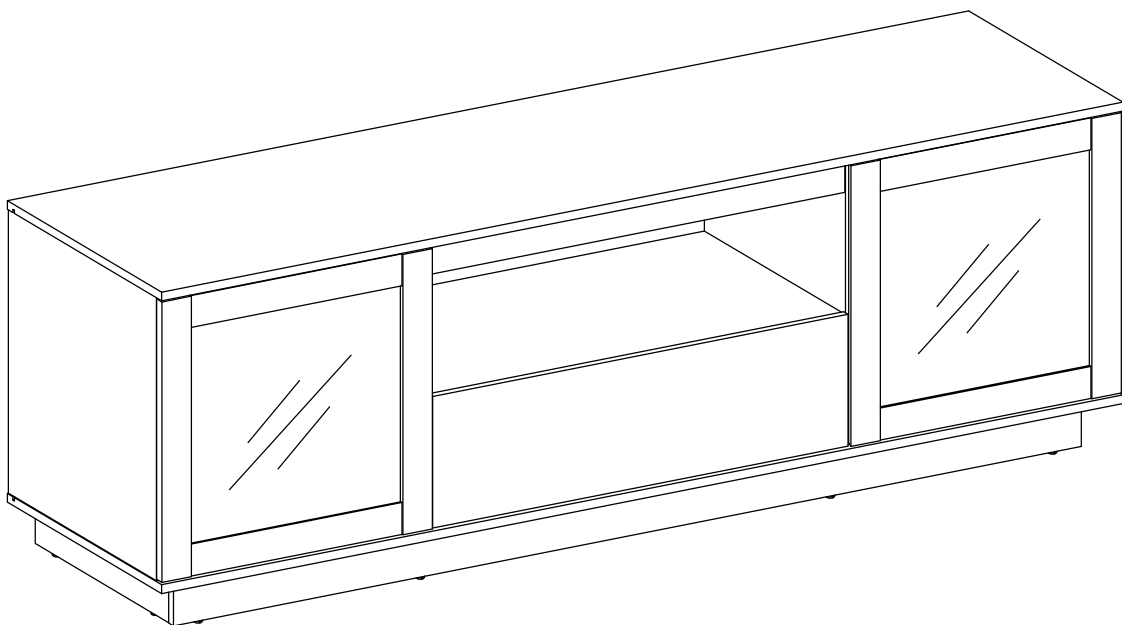




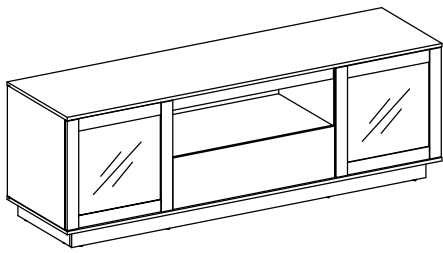
## **ASSEMBLY INSTRUCTIONS**

### **OLB1800BGS**

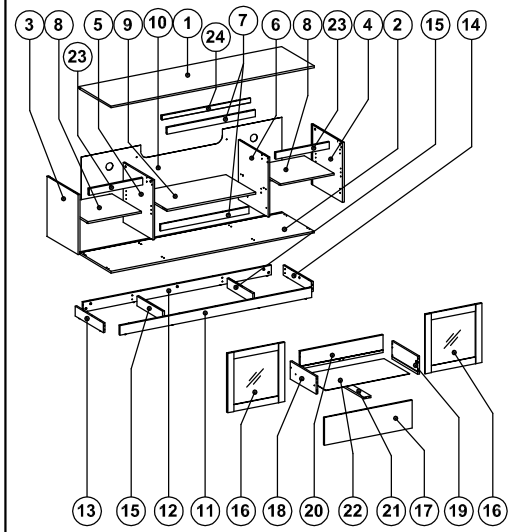
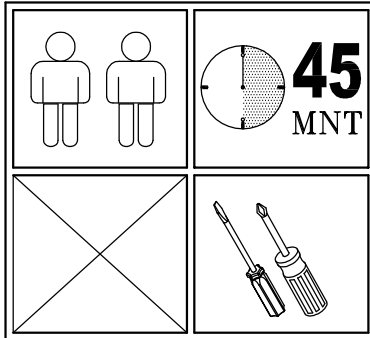


Thank you for choosing AVS OLB1800SOWS Furniture. Before beginning assembly, please check all parts are included and undamaged. For any assembly or parts enquiries, please contact Arisit Pty Ltd on 1300 762 219 or email to [arisit@arisit.com](mailto:arisit@arisit.com)

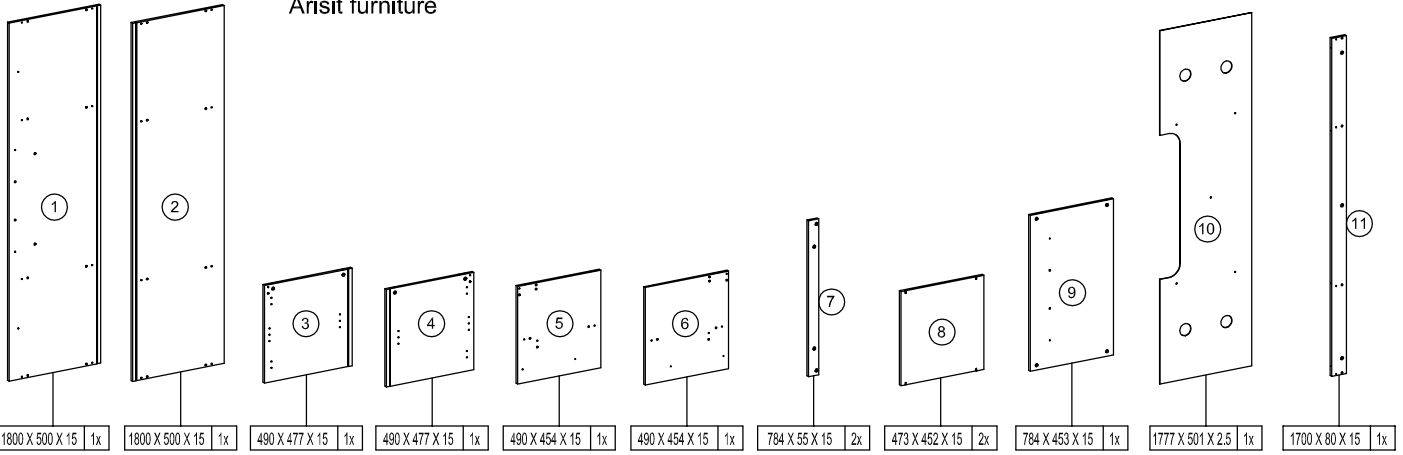
# OLB1800BGS



The cabinet top supports up to 55 kg (121 lbs.)

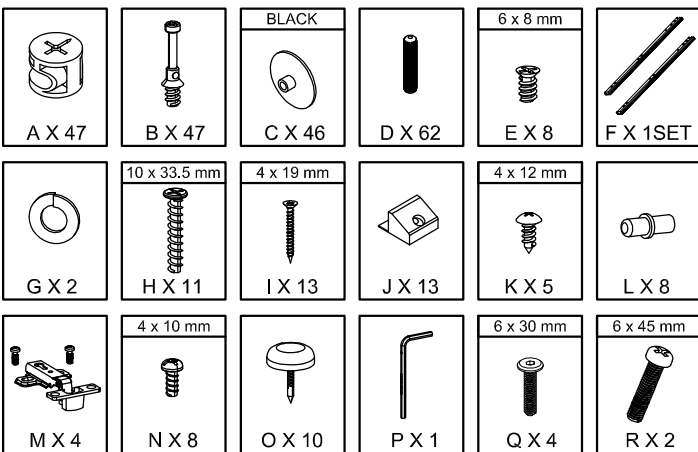
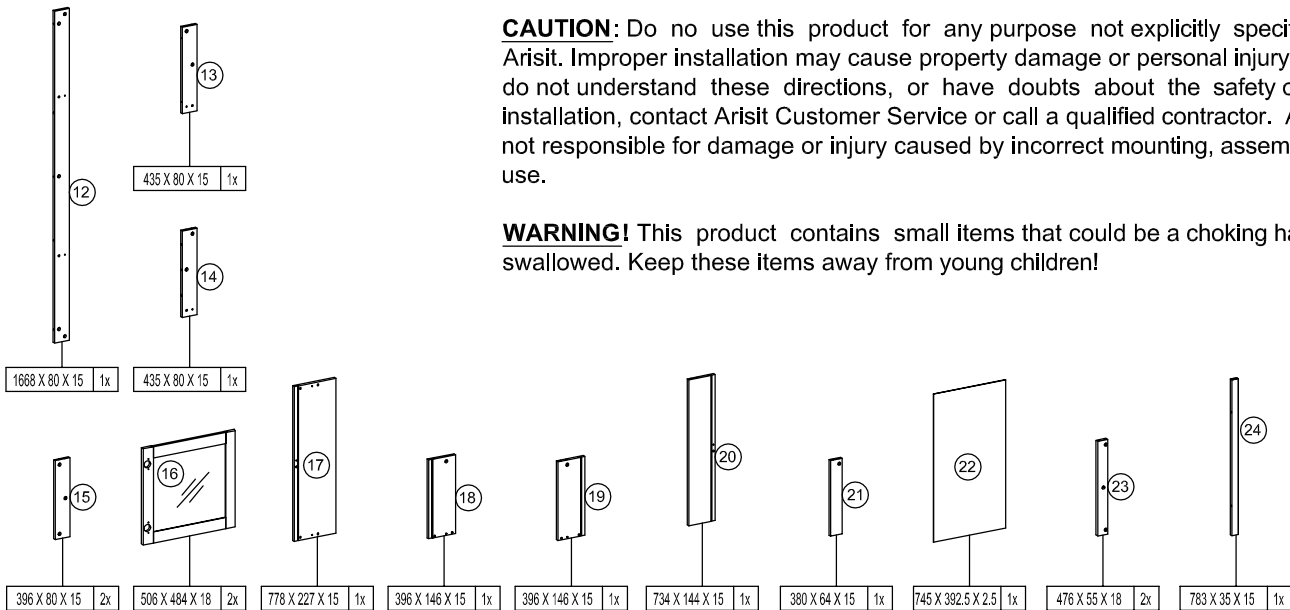


**PRODUCT CARE:** Care for your furniture by cleaning with glass cleaner and a disposable paper towel, do NOT use abrasive chemical products to clean your Arisit furniture



**CAUTION:** Do not use this product for any purpose not explicitly specified by Arisit. Improper installation may cause property damage or personal injury. If you do not understand these directions, or have doubts about the safety of the installation, contact Arisit Customer Service or call a qualified contractor. Arisit is not responsible for damage or injury caused by incorrect mounting, assembly, or use.

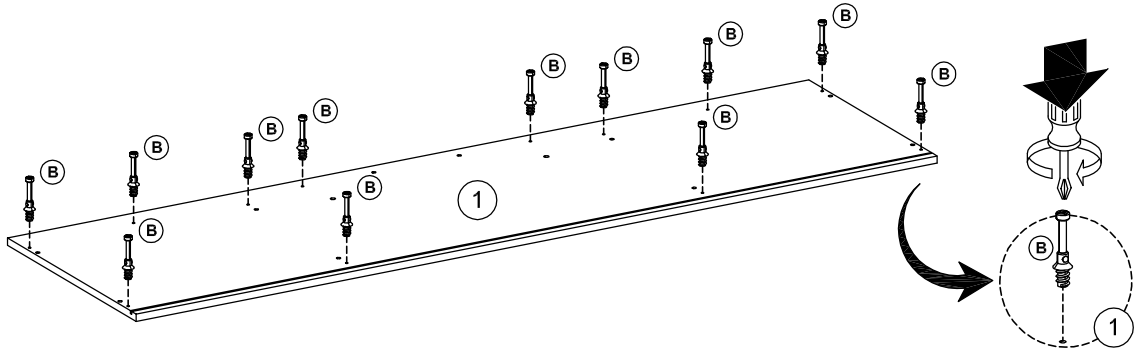
**WARNING!** This product contains small items that could be a choking hazard if swallowed. Keep these items away from young children!



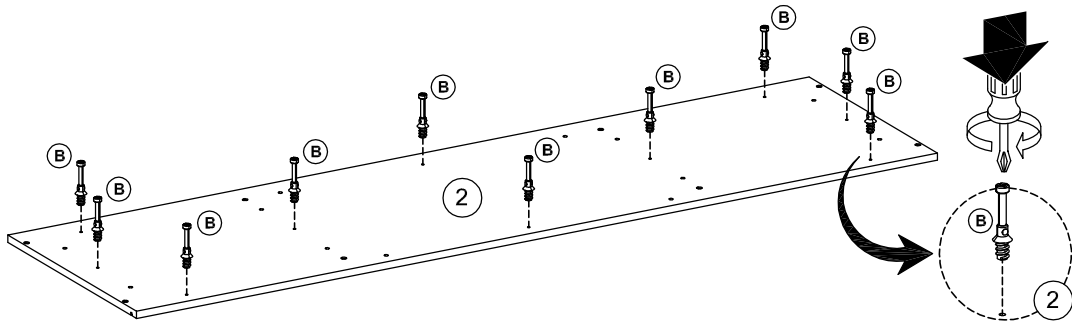
Arisit intends to make this manual accurate and complete. However, Arisit makes no claim that the information contained herein covers all details, conditions, or variations. Nor does it provide for every possible contingency in connection with the installation or use of this product. The information contained in this document is subject to change without notice or obligation of any kind. Arisit makes no representation of warranty, expressed or implied, regarding the information contained herein. Arisit assumes no responsibility for accuracy, completeness or sufficiency of the information contained in this document.

# OLB1800BGS

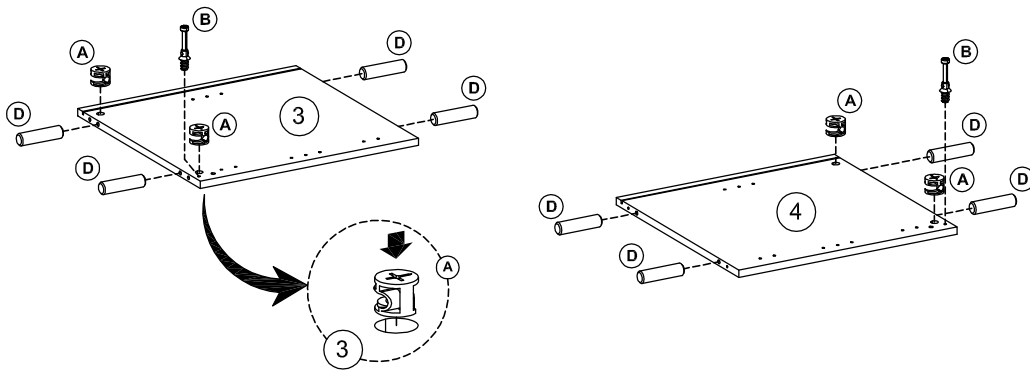
1



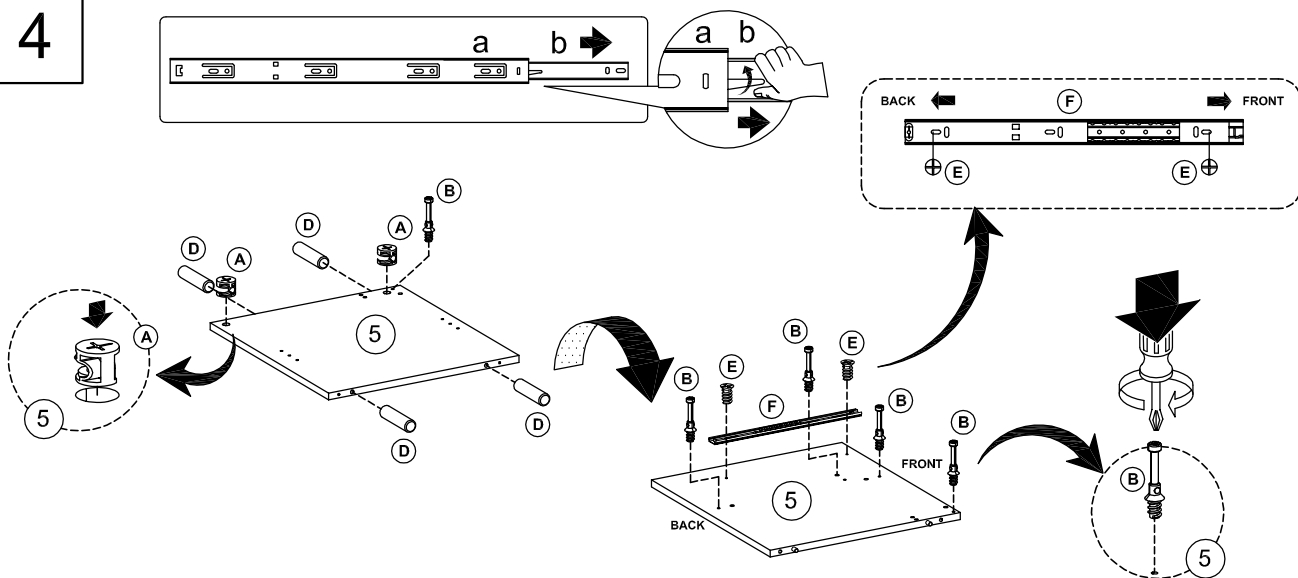
2



3

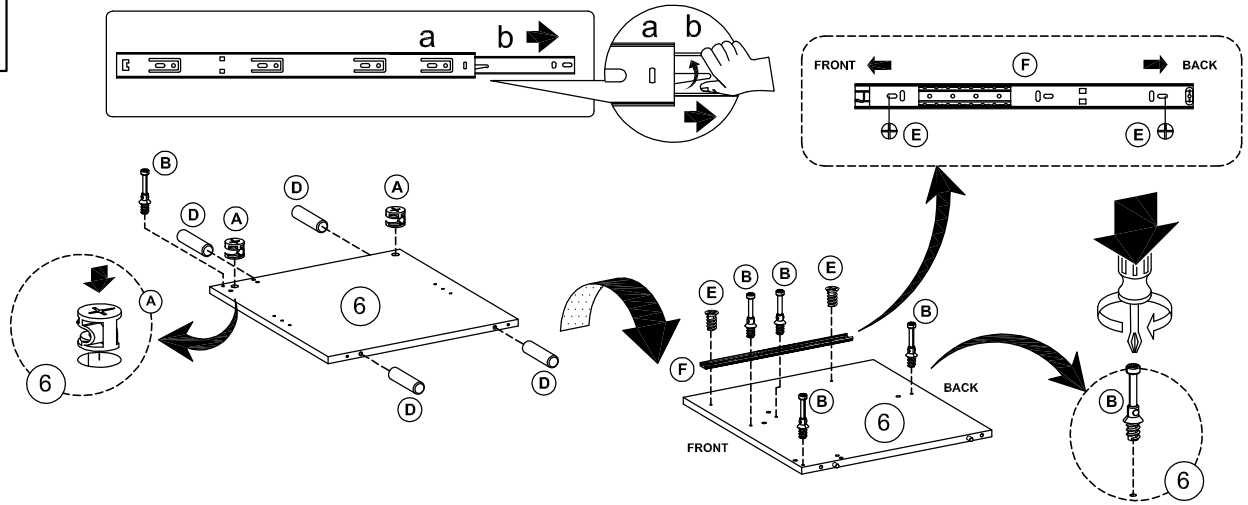


4

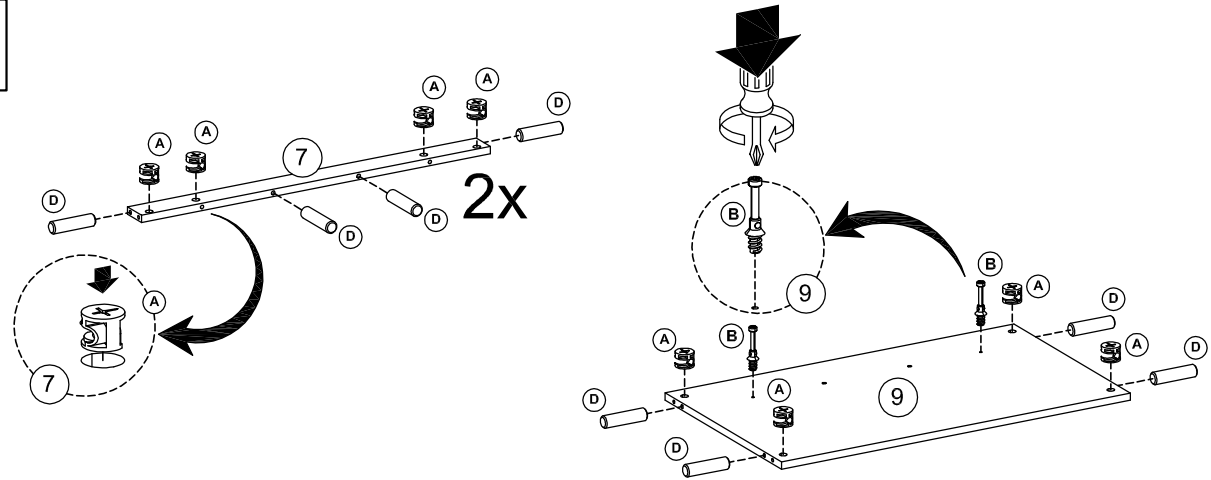


# OLB1800BGS

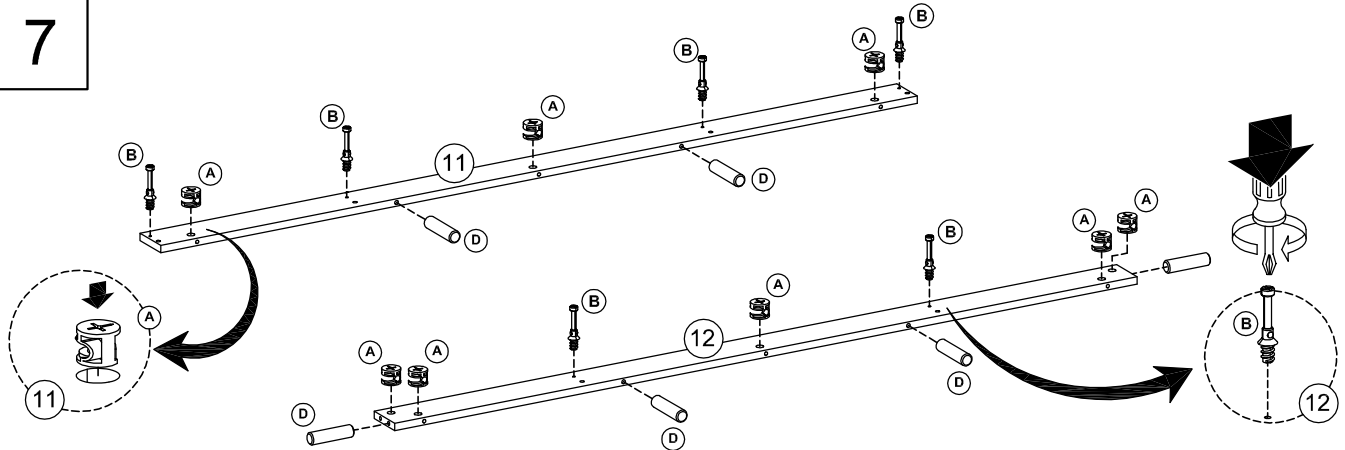
5



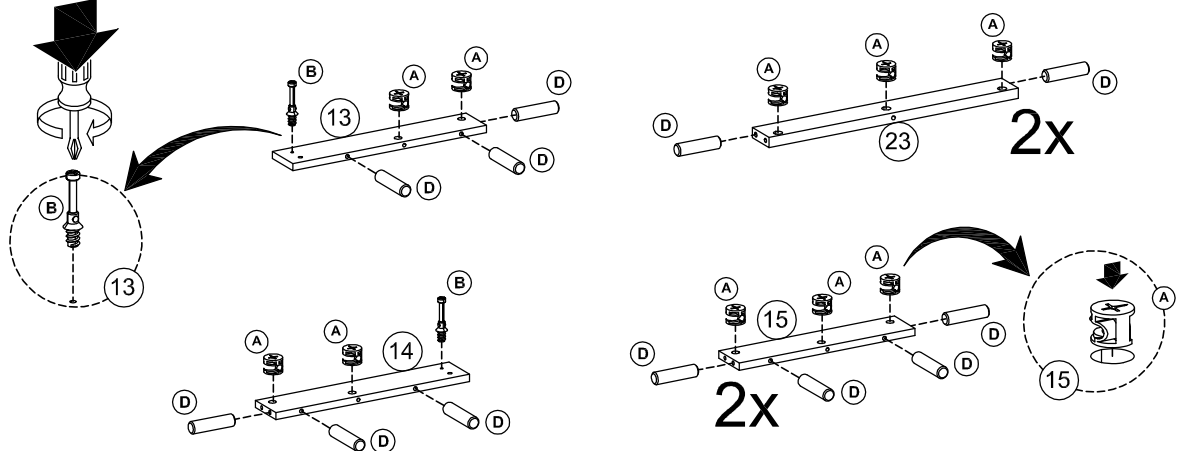
6



7

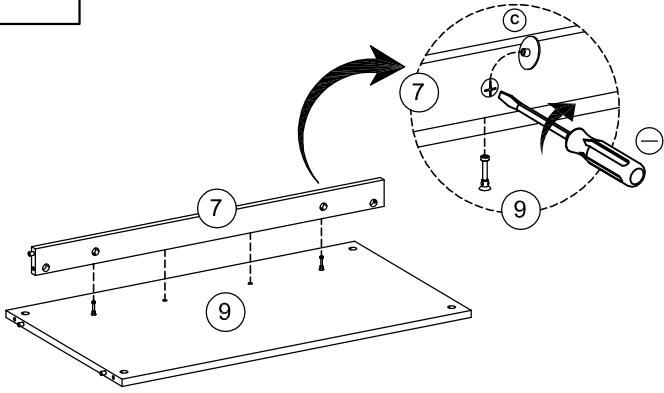


8

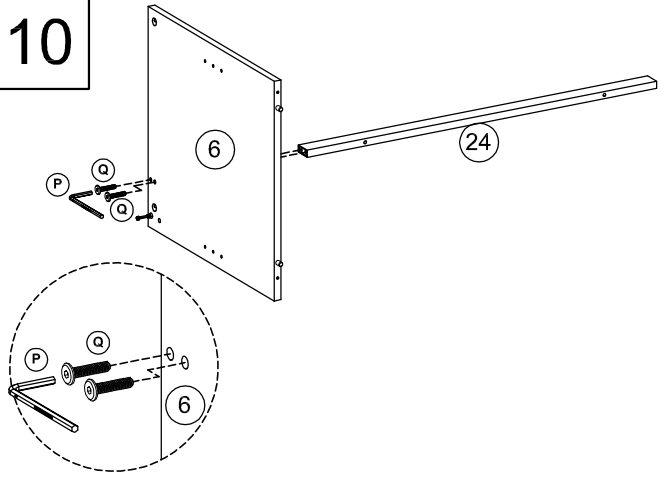


# OLB1800BGS

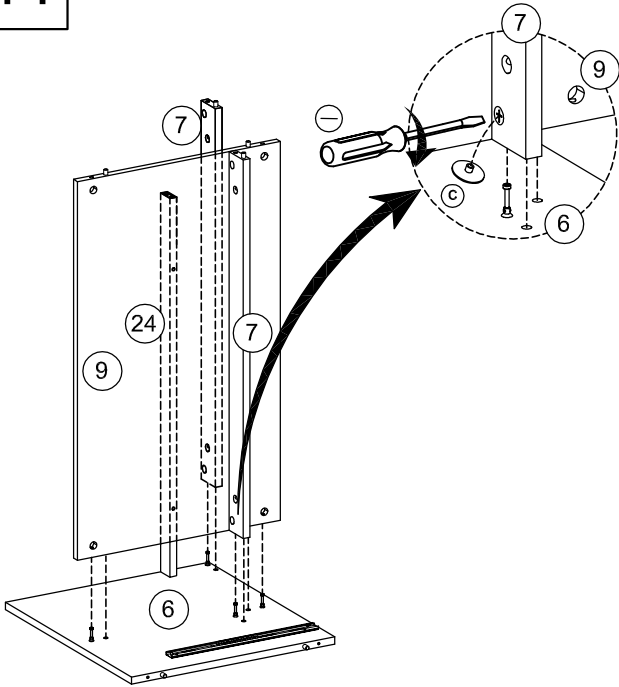
9



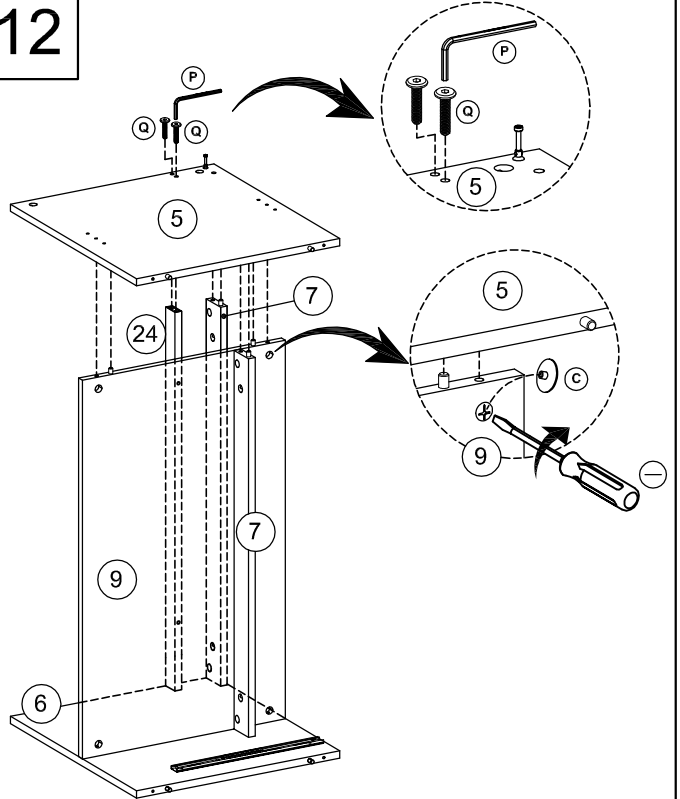
10



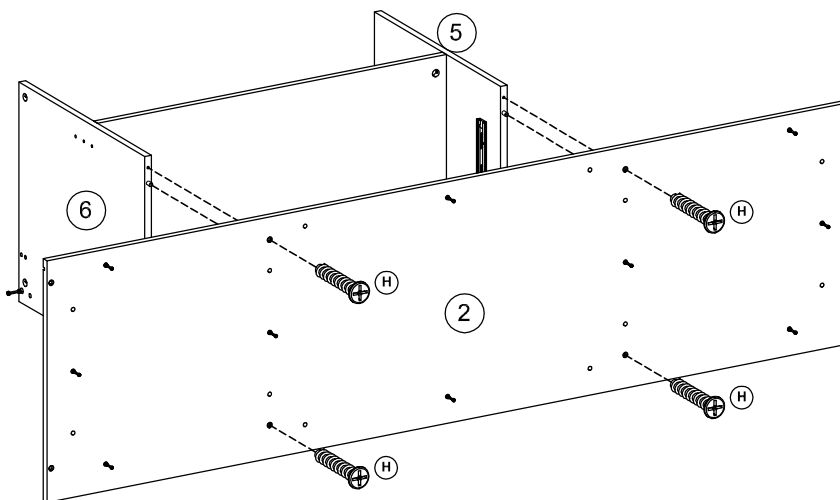
11



12

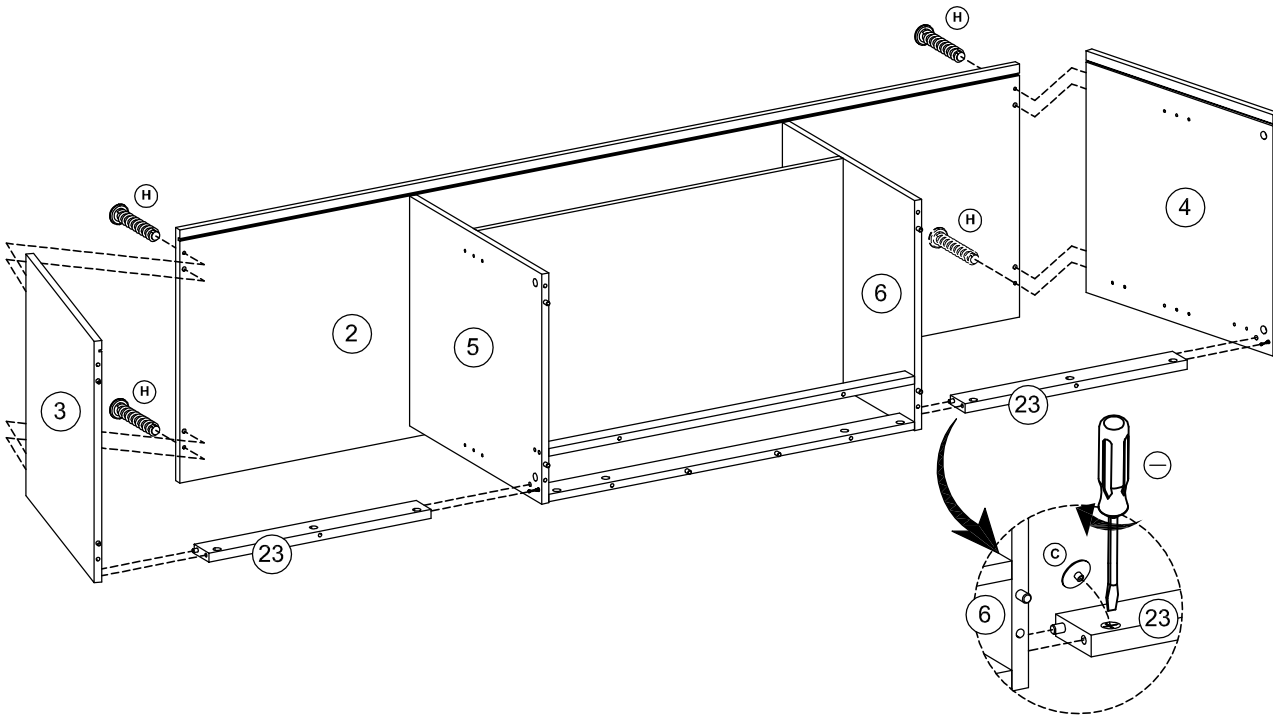


13

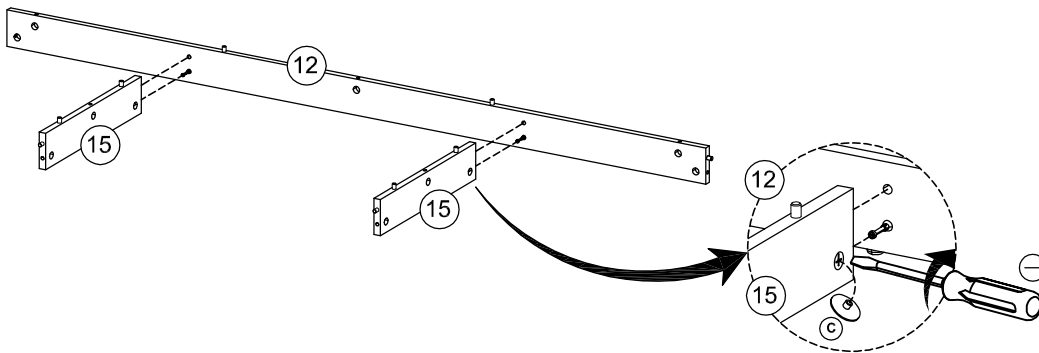


# OLB1800BGS

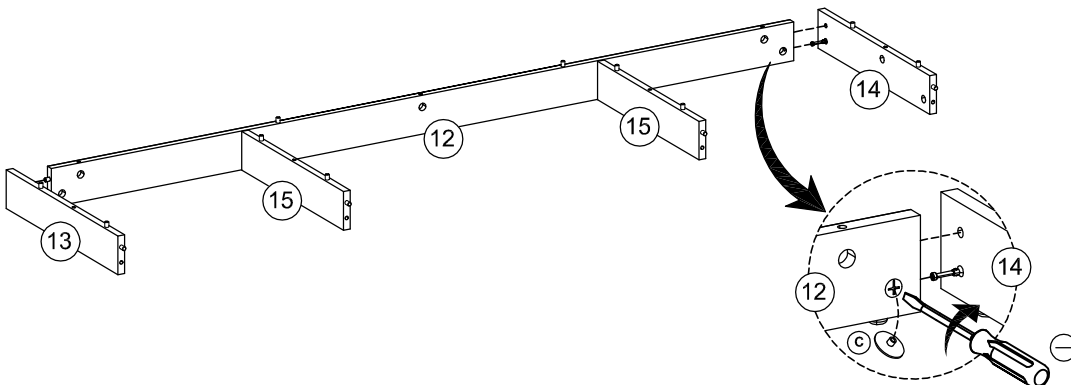
14



15

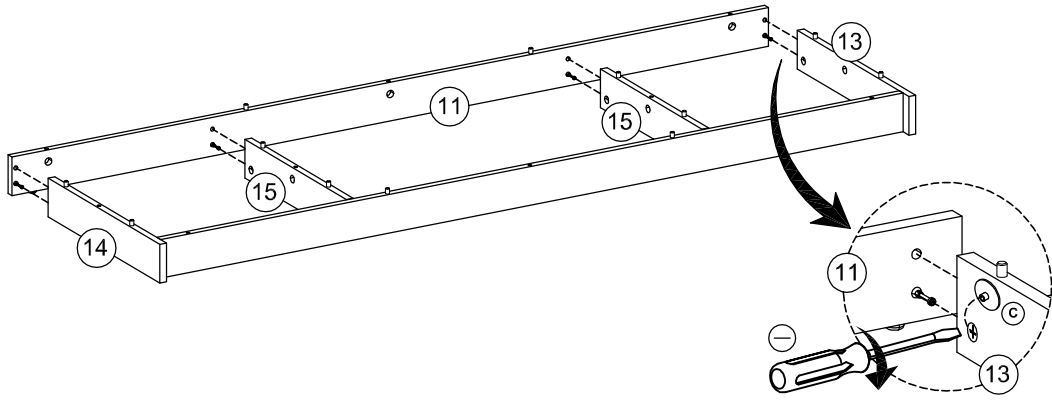


16

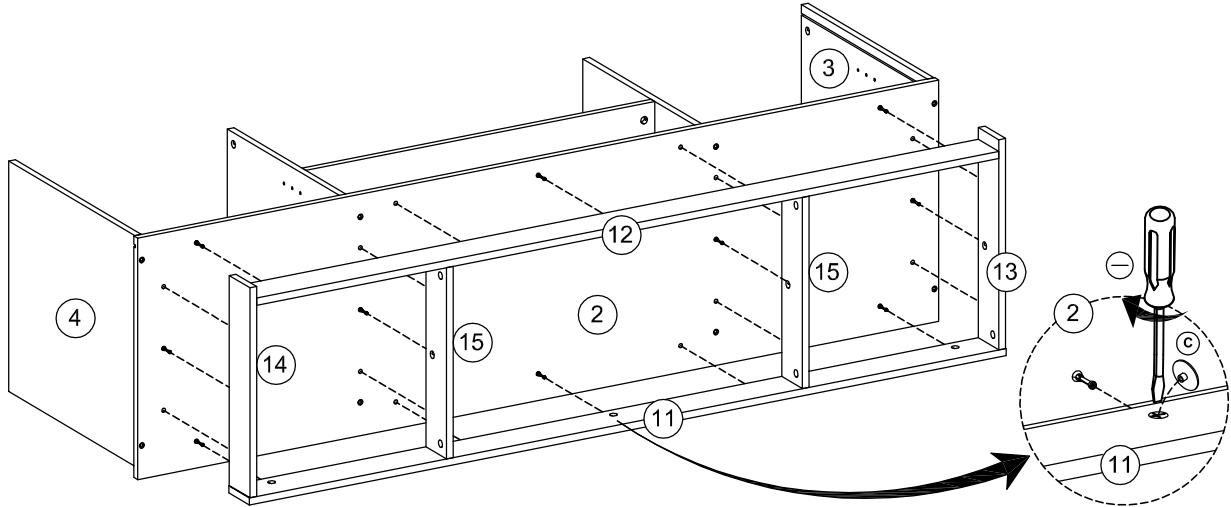


# OLB1800BGS

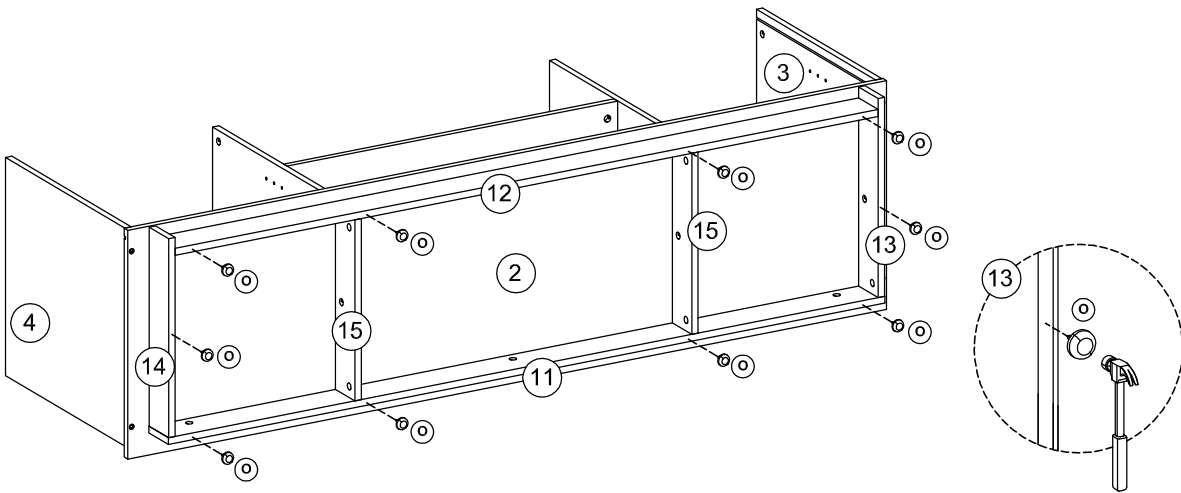
17



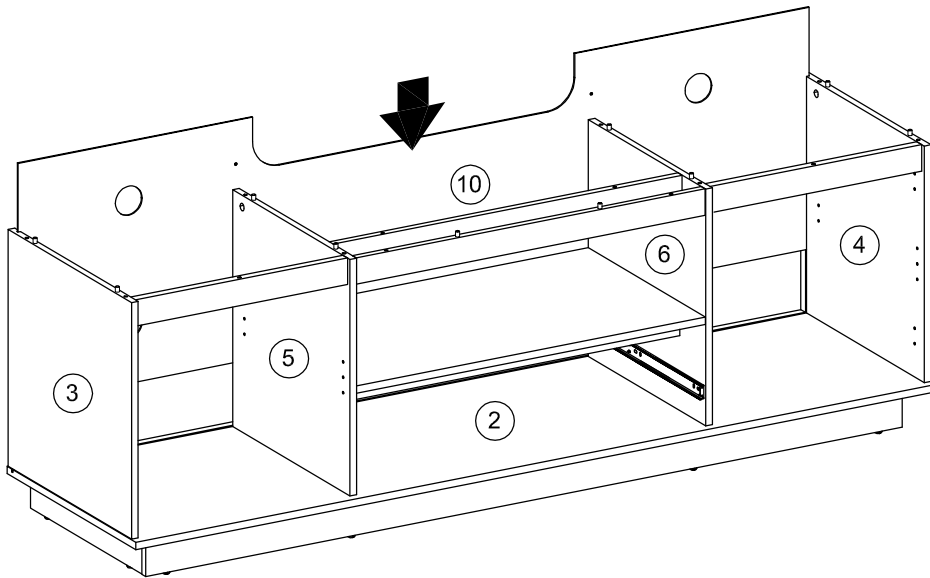
18



19

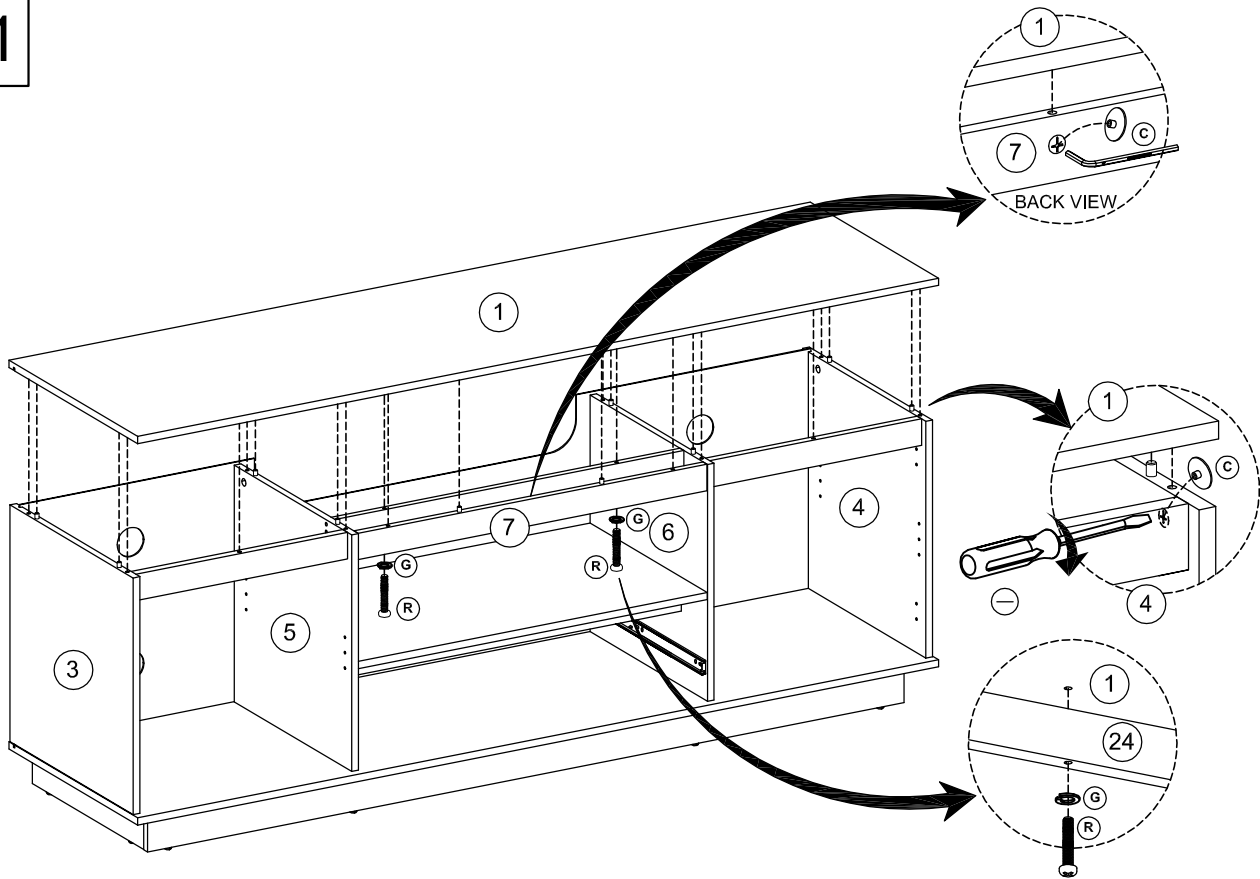


20

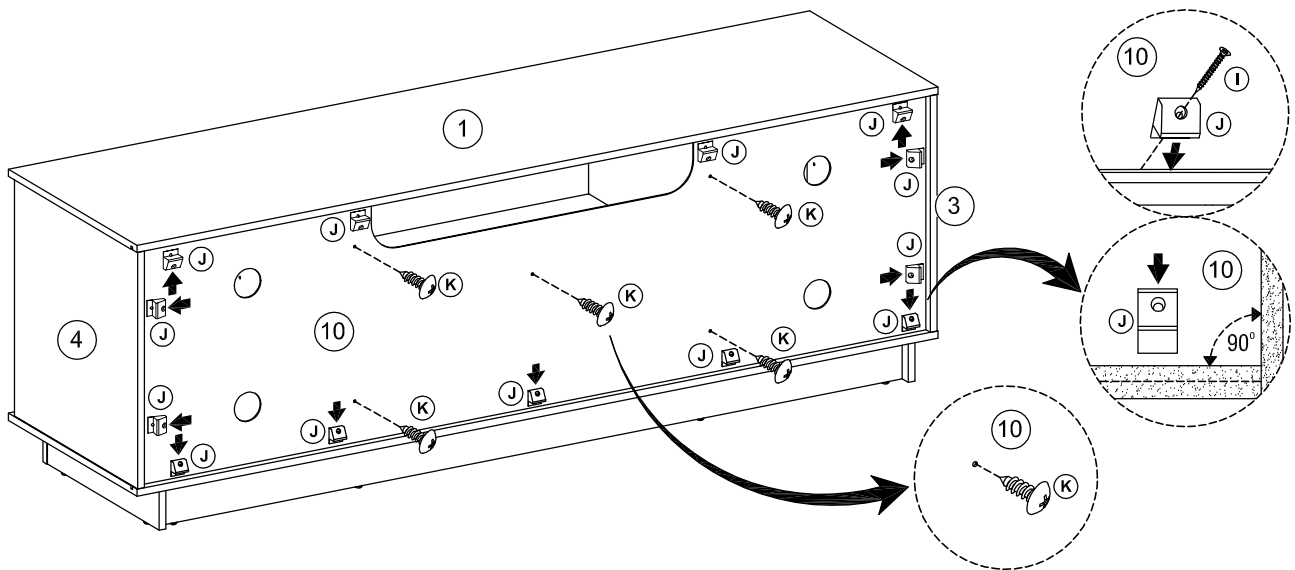


# OLB1800BGS

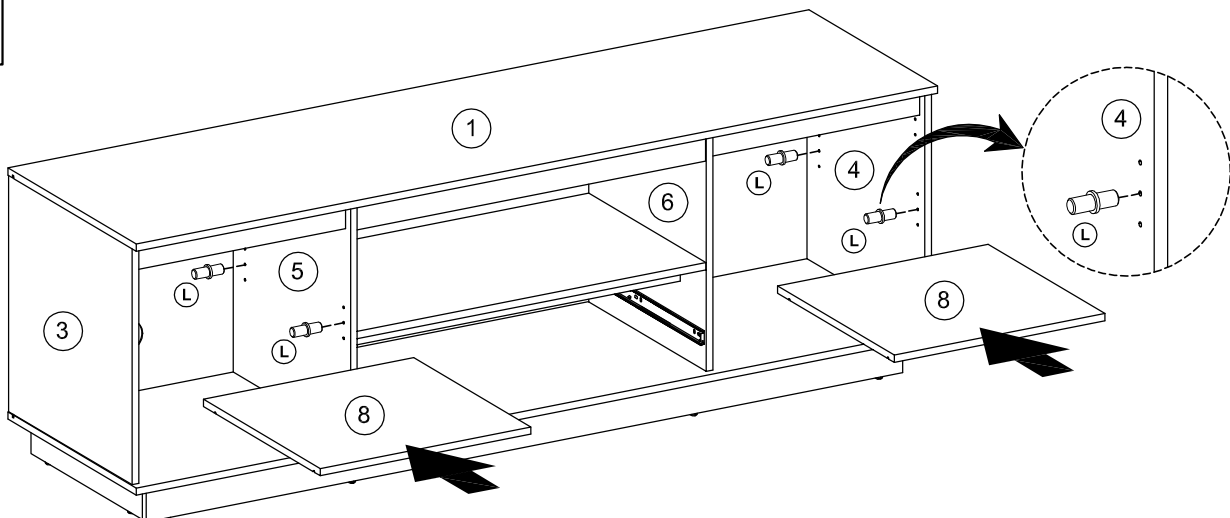
21



22



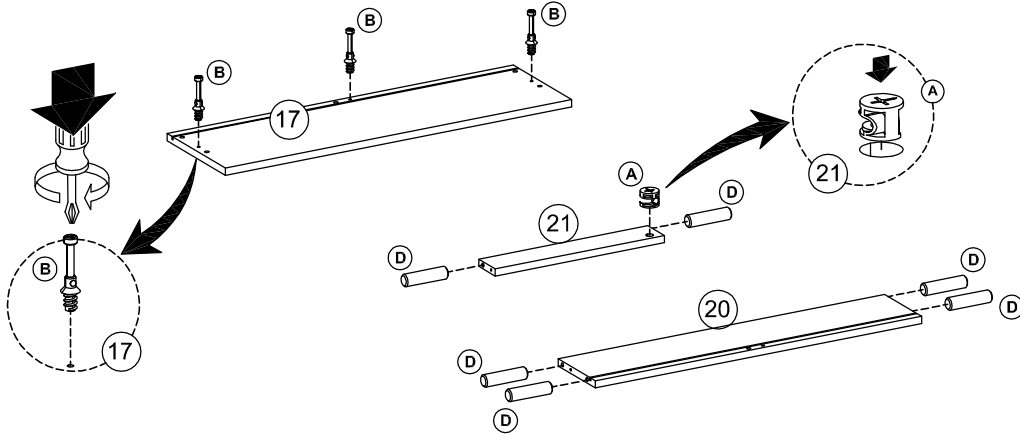
23



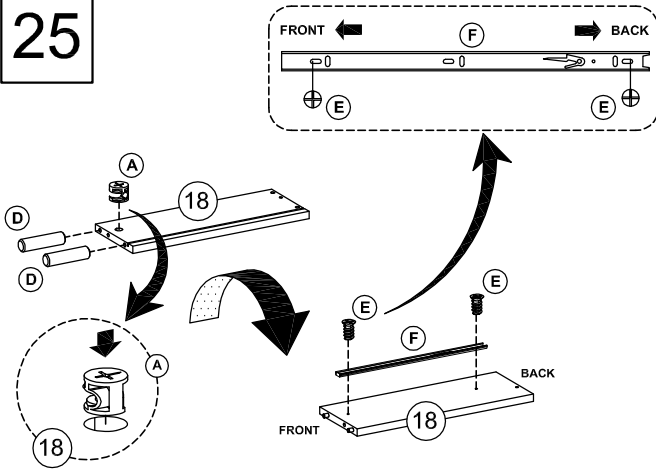


# OLB1800BGS

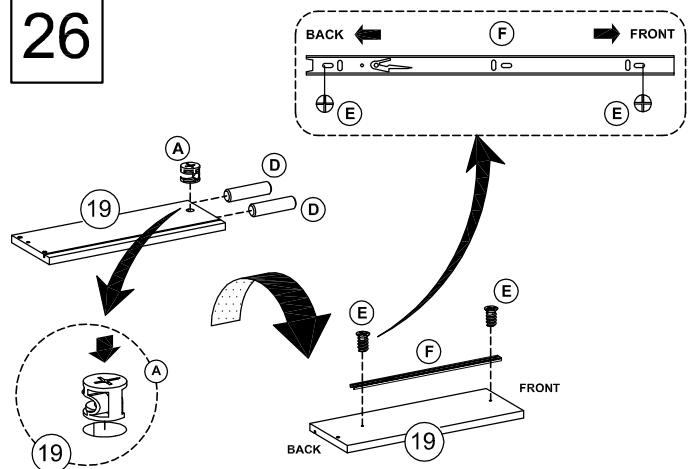
24



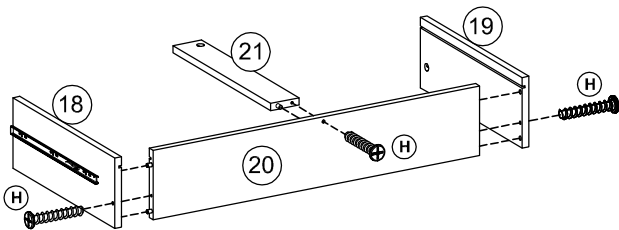
25



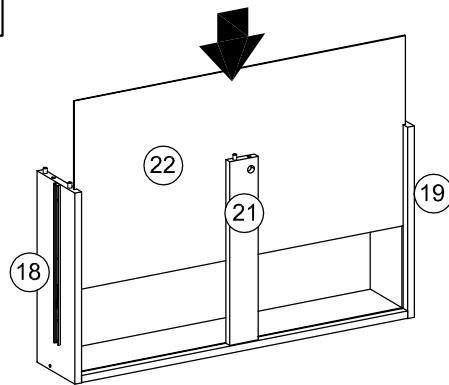
26



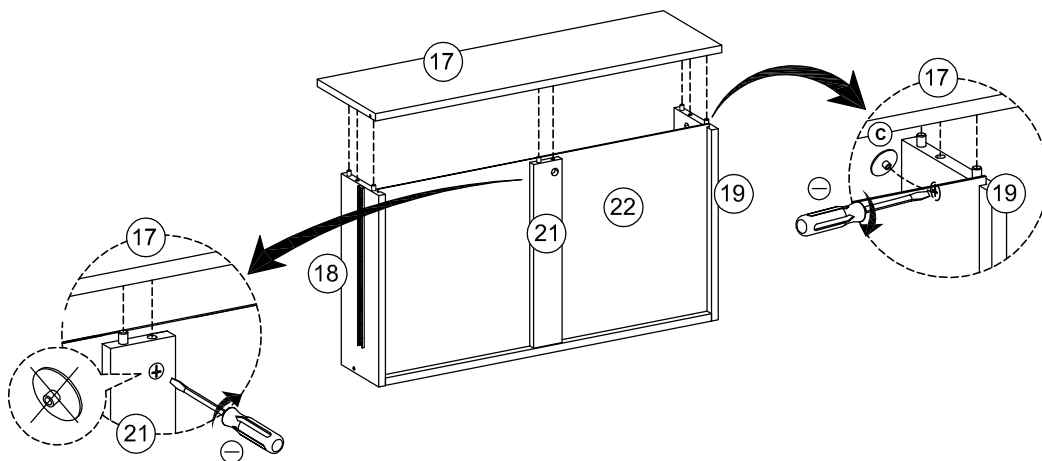
27



28

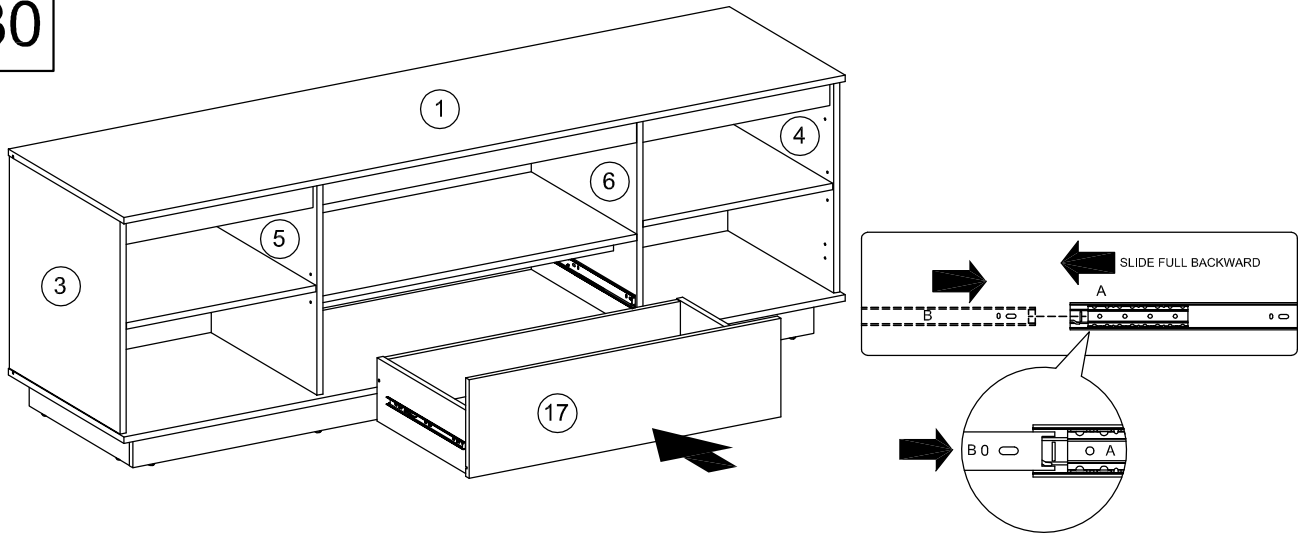


29

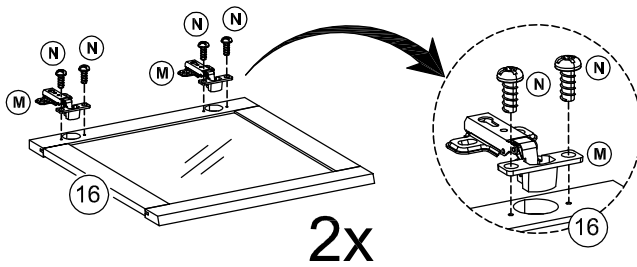


# OLB1800BGS

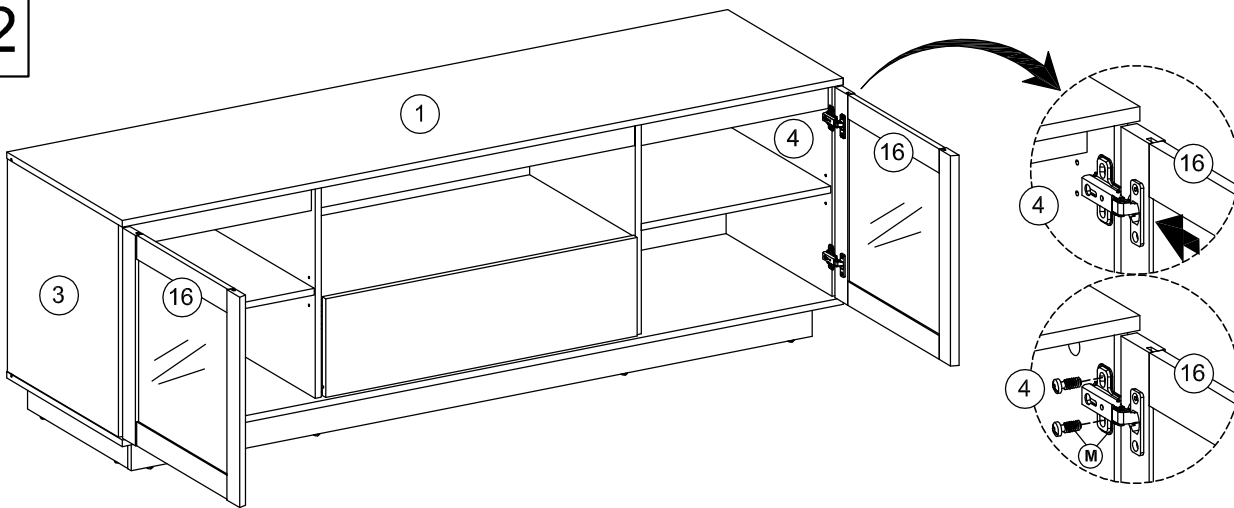
30



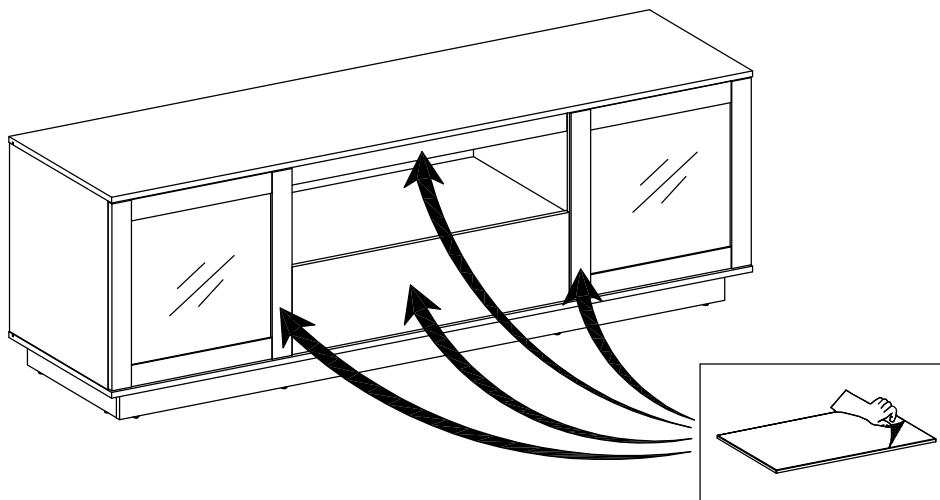
31













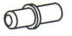






32



33



### PART NUMBER REFERENCE

NO	ID PART	DRAWING PART	DESCRIPTION	UNIQUE CODE OF HARDWARE
1	A		CAMLOCK (15 X 12 MM)	OLB1800BGSA
2	B		CAMBOLT (7,5 X 32 MM)	OLB1800BGSB
3	C		CAM-CAP BLACK (15 MM)	OLB1800BGSC
4	D		PEN DOWEL (8 X 32 MM)	OLB1800BGSD
5	E		FLAT HEAD SCREW (6 X 8 MM)	OLB1800BGSE
6	F		SINGLE EXTENTION RAIL (350 MM)	OLB1800BGSF
7	G		WASHER PLATE	OLB1800BGSG
8	H		FLAT HEAD SCREW (10 X 33,5 MM)	OLB1800BGSH
9	I		FLAT HEAD SCREW (4 X 19 MM)	OLB1800BGSI
10	J		BACKPLY STOPPER	OLB1800BGSJ
11	K		PAN HEAD SCREW (4 X 12 MM)	OLB1800BGSK
12	L		PEN RACK	OLB1800BGSL
13	M		HINGE	OLB1800BGSM
14	N		PAN HEAD SCREW (4 X 10 MM)	OLB1800BGSN
15	O		NAIL LEG	OLB1800BGSO
16	P		ALLEN KEY	OLB1800BGSP
17	Q		PAN HEAD SCREW (6 X 30 MM)	OLB1800BGSQ
18	R		PAN HEAD SCREW (6 X 45 MM)	OLB1800BGR

NO	ID PART	DESCRIPTION	UNIQUE CODE OF HARDWARE
1	1	TOP PANEL	OLB1800BGS1
2	2	BOTTOM PANEL	OLB1800BGS2
3	3	LEFT SIDE PANEL	OLB1800BGS3
4	4	RIGHT SIDE PANEL	OLB1800BGS4
5	5	LEFT DIVIDER	OLB1800BGS5
6	6	RIGHT DIVIDER	OLB1800BGS6
7	7	TOP SUPPORT PANEL	OLB1800BGS7
8	8	ADJUSTABLE SHELF	OLB1800BGS8
9	9	FIXED SHELF	OLB1800BGS9
10	10	BACK PANEL	OLB1800BGS10
11	11	BOTTOM SUPPORT PANEL (FRONT)	OLB1800BGS11
12	12	BOTTOM SUPPORT PANEL (REAR)	OLB1800BGS12
13	13	BOTTOM SUPPORT PANEL (LEFT)	OLB1800BGS13
14	14	BOTTOM SUPPORT PANEL (RIGHT)	OLB1800BGS14
15	15	BOTTOM SUPPORT PANEL (MIDDLE)	OLB1800BGS15
16	16	GLASS DOOR	OLB1800BGS16
17	17	FRONT DRAWER PANEL	OLB1800BGS17
18	18	LEFT DRAWER PANEL	OLB1800BGS18
19	19	RIGHT DRAWER PANEL	OLB1800BGS19
20	20	REAR DRAWER PANEL	OLB1800BGS20
21	21	SUPPORT DRAWER PANEL	OLB1800BGS21
22	22	BOTTOM DRAWER PANEL	OLB1800BGS22
23	23	TOP SUPPORT PANEL (SIDE)	OLB1800BGS23
24	24	PIPE SUPPORT 783X35X15 MM	OLB1800BGS24