



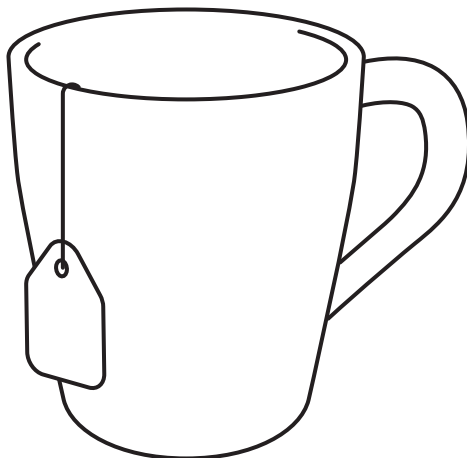
Instructions

471659
Rev00

 37 - 80" / 94 - 203 cm

 600 x 400 max

 50 kg / 110 lb.



Before you begin...

Please make yourself a drink (*we advise non-alcoholic*)
then take a few minutes to read and understand these instructions.

Helpline



1300 762 219 (Australia)
(09) 9302 0077 (New Zealand)



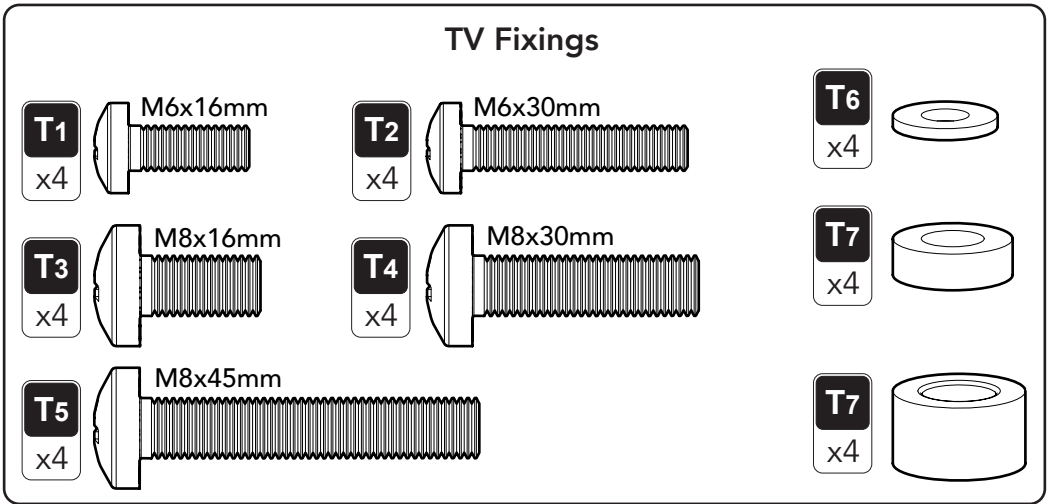
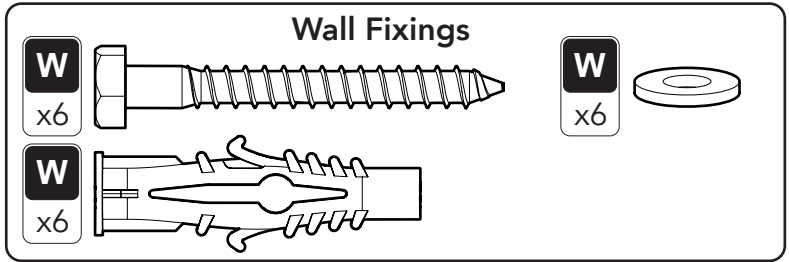
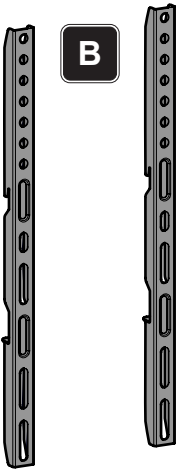
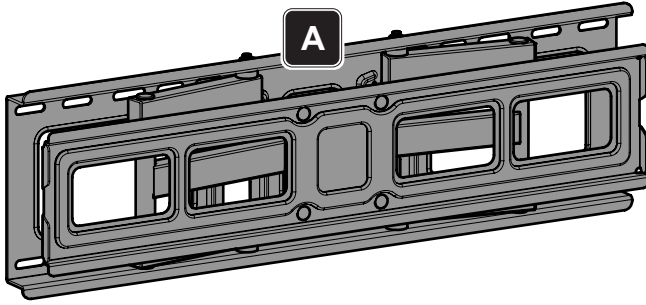
maharahome.com/au

Product
Information
+
TV Height
Calculator



bit.ly/MHLMP66

Parts Included



1300 762 219 (Australia)

(09) 9302 0077 (New Zealand)

You will need

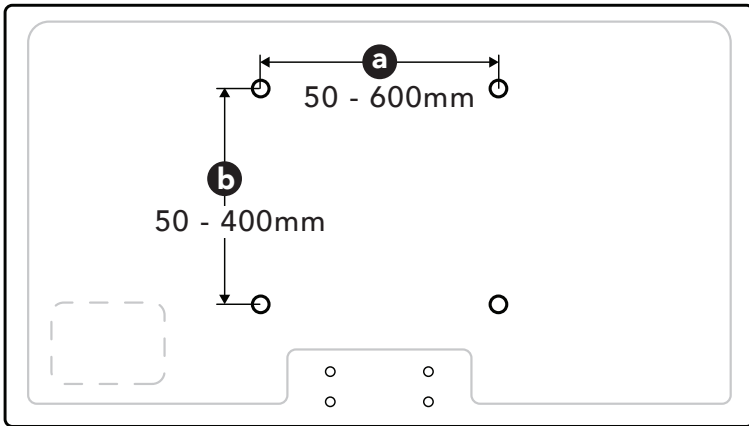


Ø 10mm / 25/64"
Solid Wall

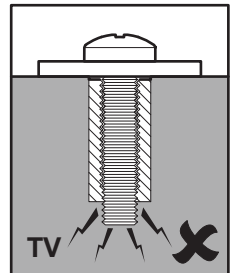
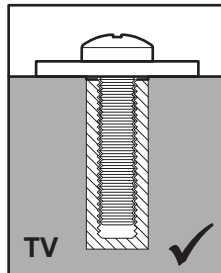
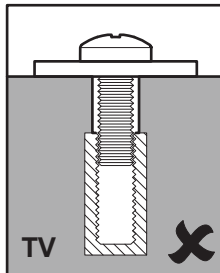
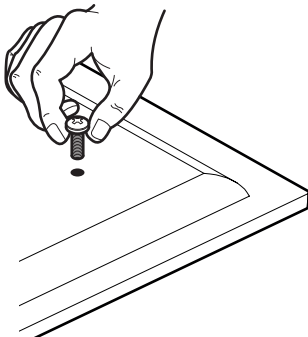


Ø 3mm / 1/8"
Wood Stud

Measure your VESA fixings and select TV Screws

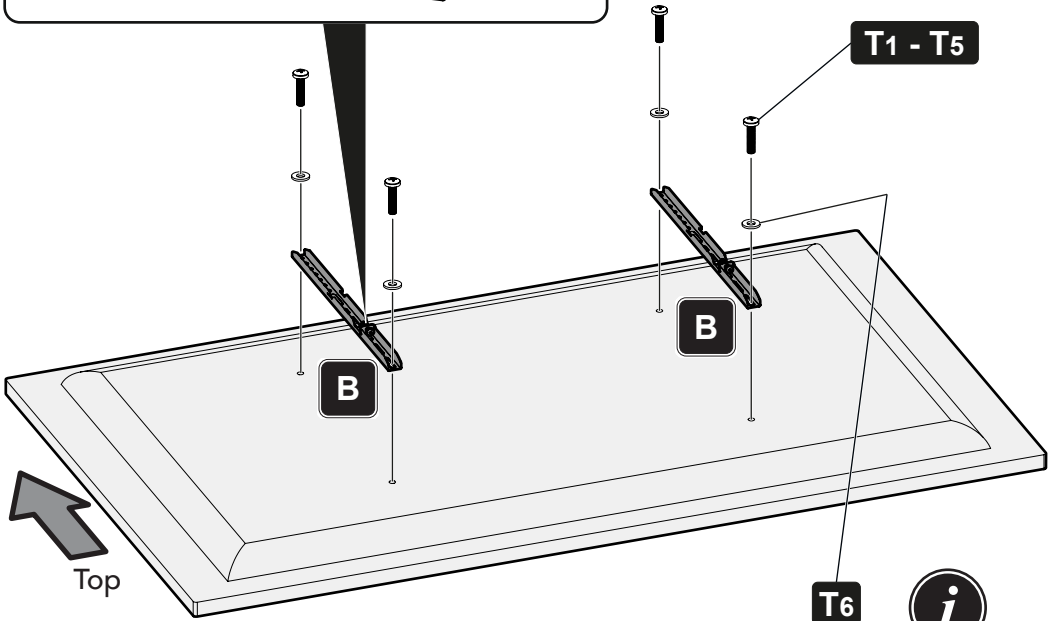
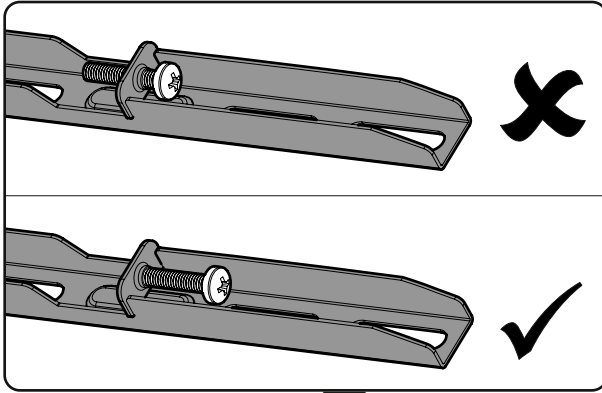


600 x 400mm (MAX).



1

Fitting the TV Brackets



T1 - T5

B

B

T6



Use the **T6** washer if using screws **T1** or **T2**.



After completing this step, you will have lots of TV screws left over. Keep them in a safe place in case you require them in future.

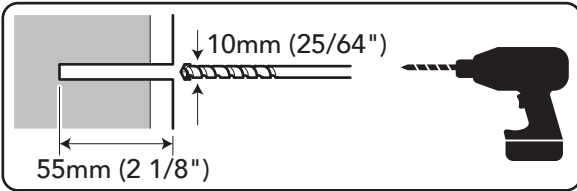
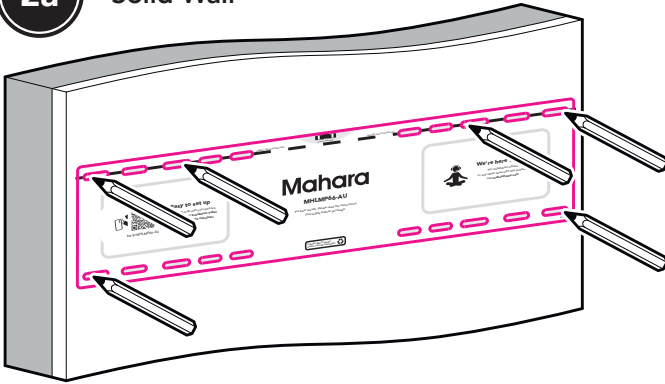


1300 762 219 (Australia)

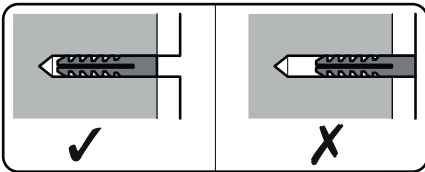
(09) 9302 0077 (New Zealand)

2a

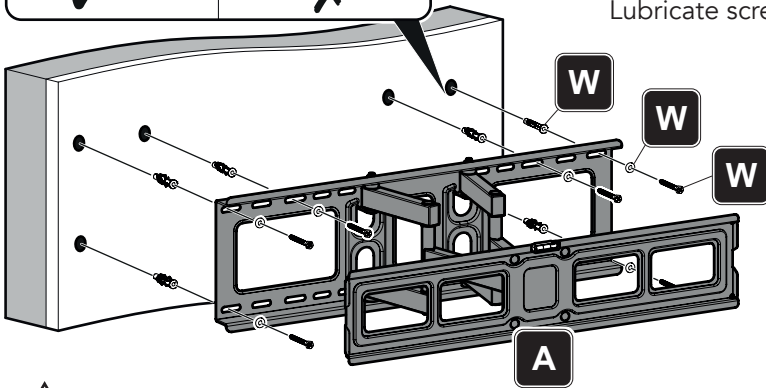
Solid Wall



Remove Dust from Hole



Lubricate screw thread with soap



DO NOT overtighten screws.
Tighten screws by hand only.

TV HEIGHT
CALCULATOR

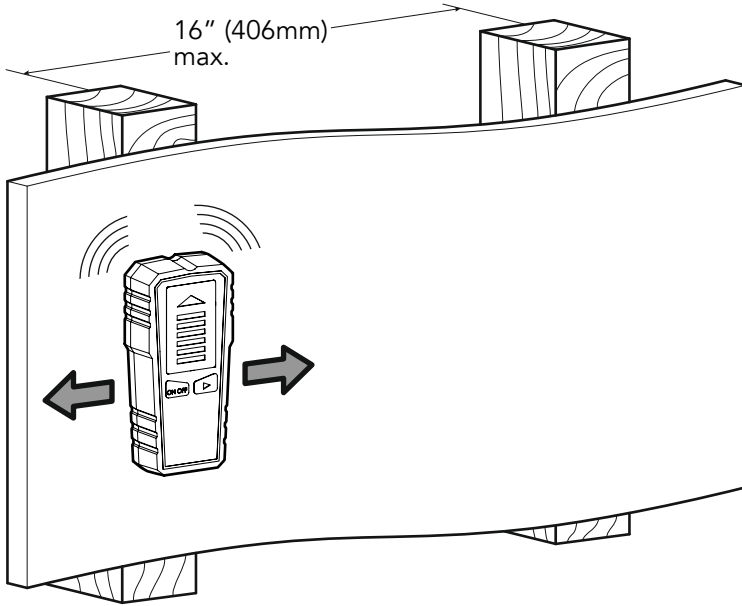


bit.ly/MHLMP66



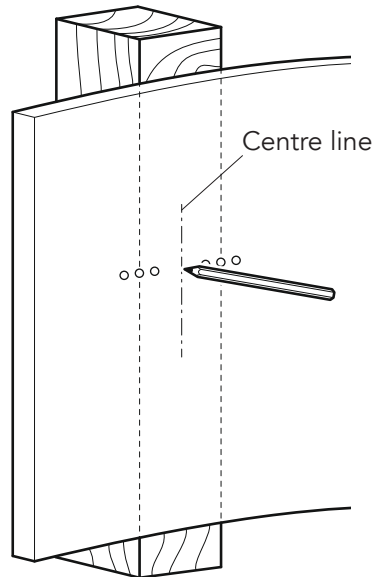
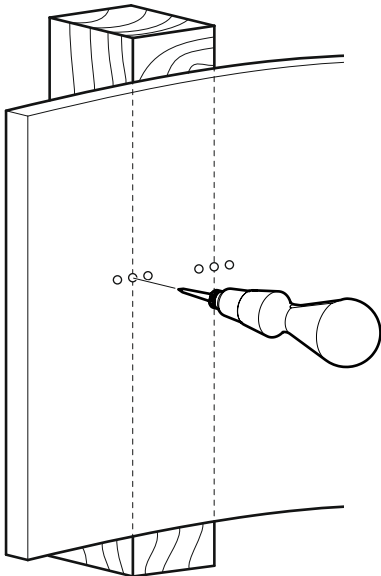
2b

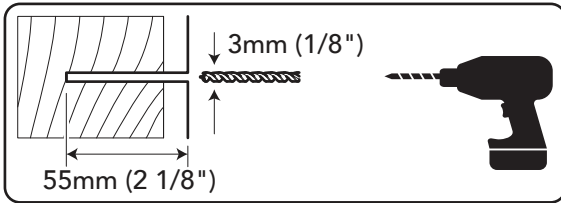
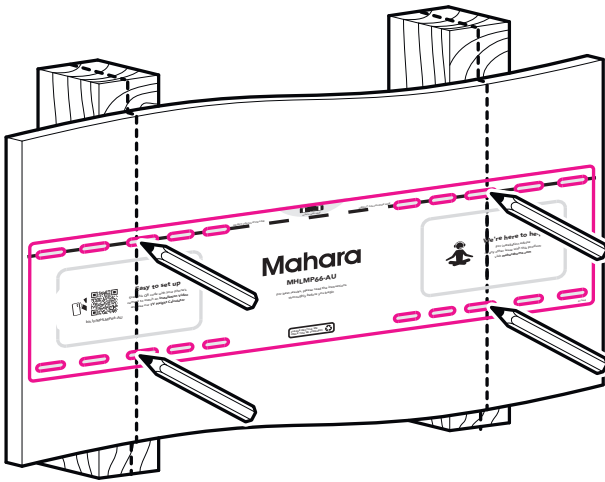
Wood Stud Wall



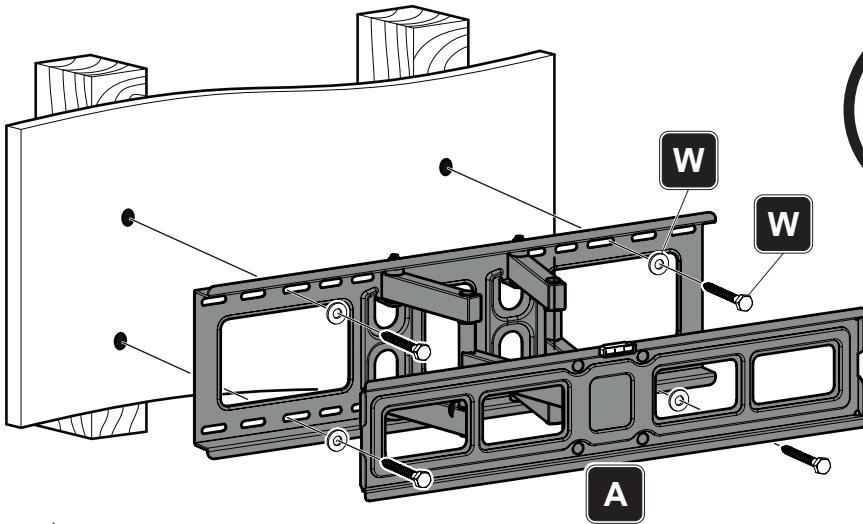
TV HEIGHT CALCULATOR

bit.ly/MHLMP66





Ensure drill holes are in the centre of the wood studs.

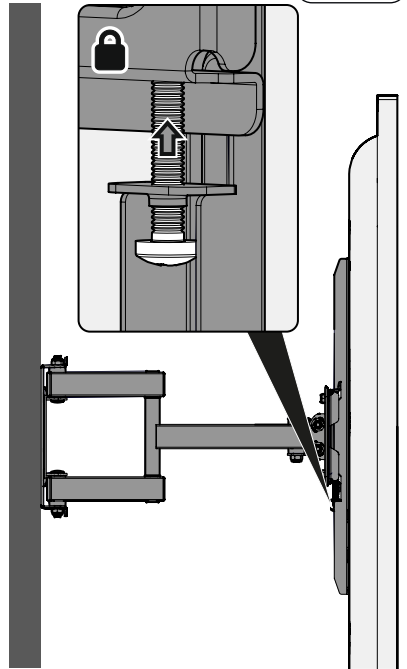
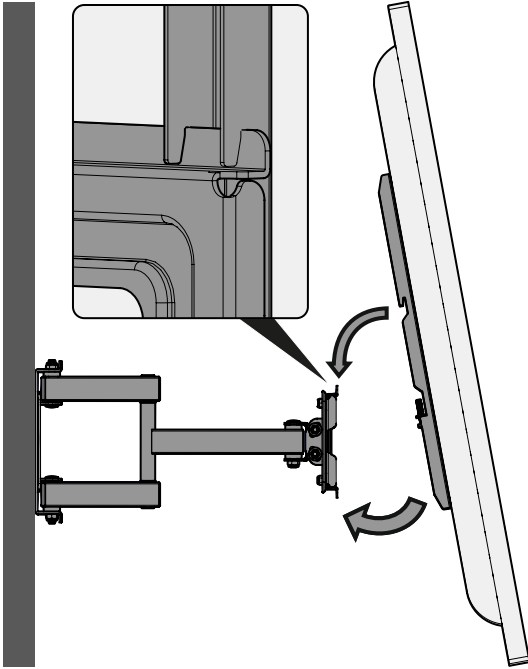


DO NOT overtighten screws.
Tighten screws by hand only.



3

Hanging the TV



4

Tilt Adjustment

