

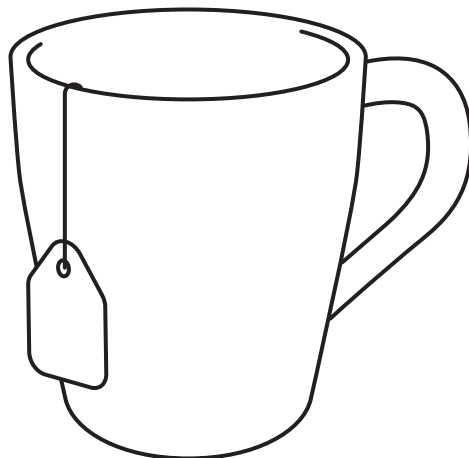
Instructions

471658
Rev00

 32 - 65" / 81 - 165 cm

 400 x 400 max

 30 kg / 66 lb.



Before you begin...

Please make yourself a drink (*we advise non-alcoholic*) then take a few minutes to read and understand these instructions.

Helpline

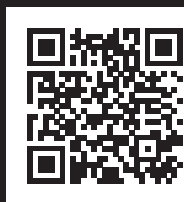


1300 762 219 (Australia)
(09) 9302 0077 (New Zealand)



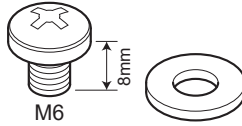
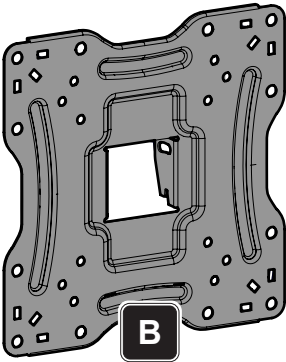
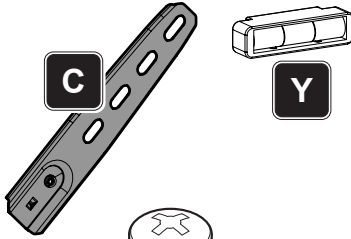
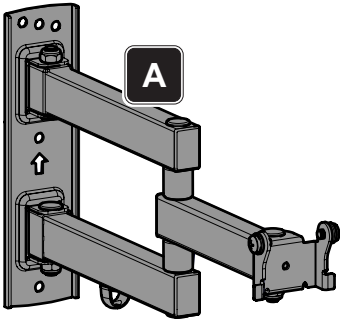
maharahome.com/au

Product
Information
+
TV Height
Calculator

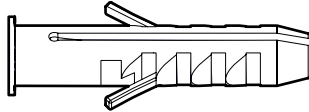
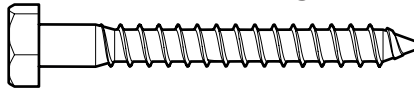


bit.ly/MHLMP44

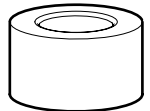
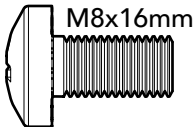
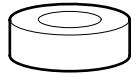
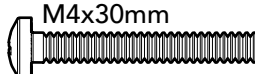
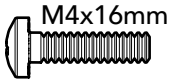
Parts Included



Wall Fixings



TV Fixings



1300 762 219 (Australia)

(09) 9302 0077 (New Zealand)

You will need

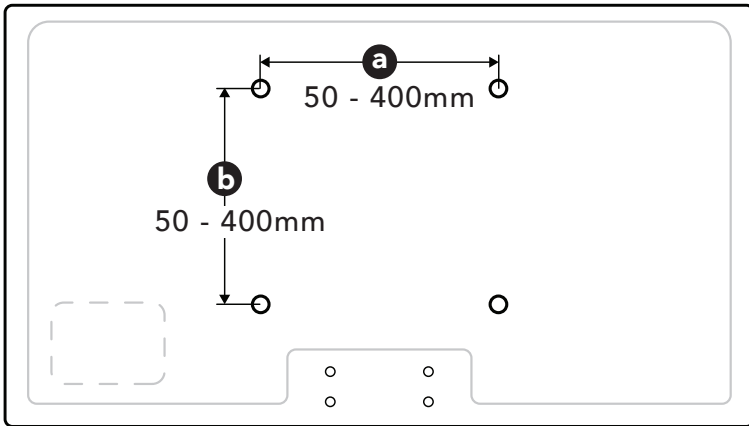


Ø 8mm / 5/16"
Solid Wall

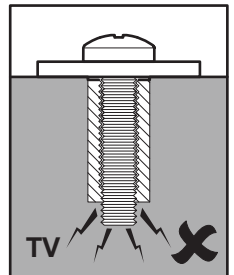
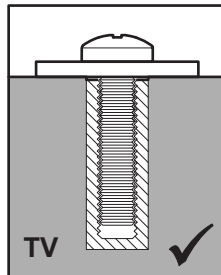
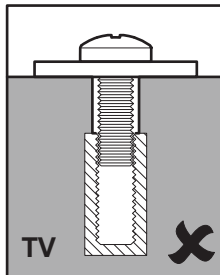
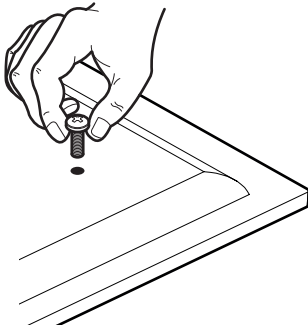


Ø 3mm / 1/8"
Wood Stud

Measure your VESA fixings and select TV Screws

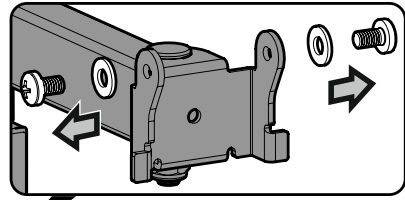
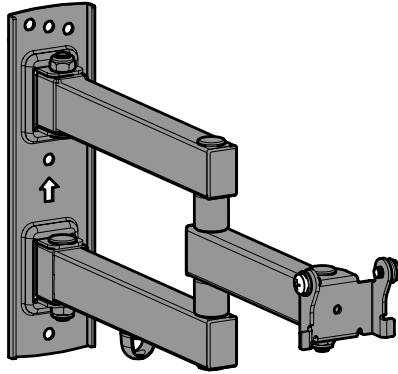


400 x 400mm (MAX).



1

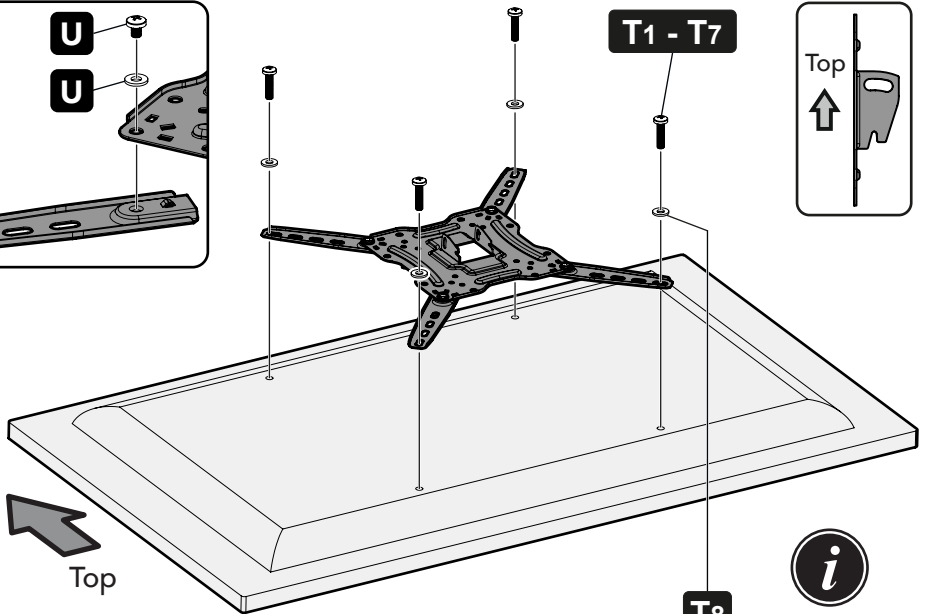
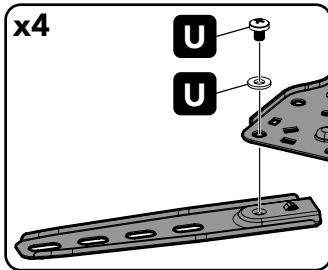
Prepare the Wall Bracket



Remove the Screws and Washers and safely keep for step 4.

2

Fitting the TV Mounting Plate



Use the T8 washer if using screws T1 to T4.

After completing this step, you will have lots of TV screws left over. Keep them in a safe place in case you require them in future.



1300 762 219 (Australia)

(09) 9302 0077 (New Zealand)

3a

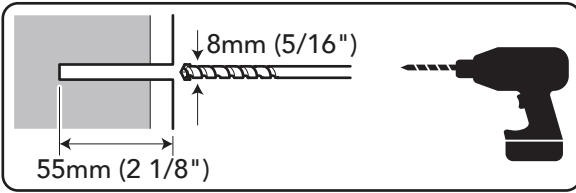
Solid Wall



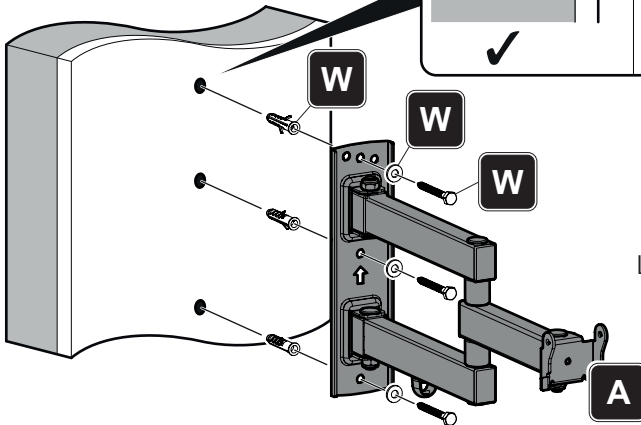
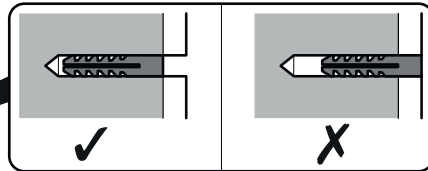
TV HEIGHT
CALCULATOR



bit.ly/MHLMP44



Remove Dust from Hole



Lubricate screw thread with soap



DO NOT overtighten screws.
Tighten screws by hand only.



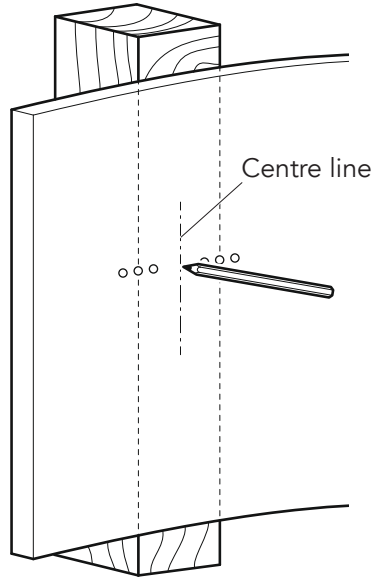
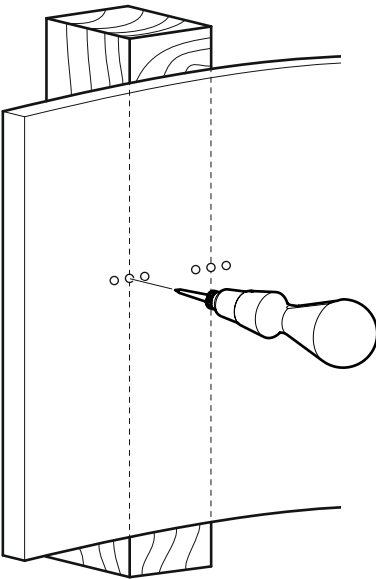
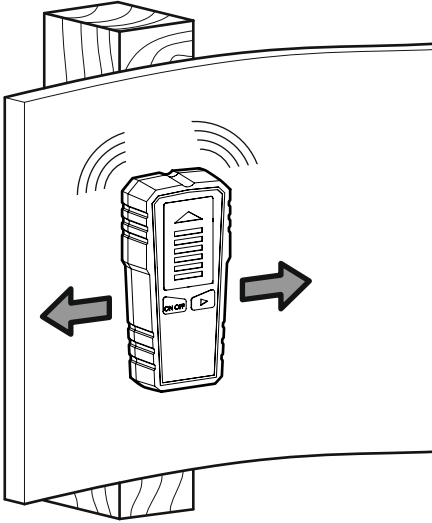
3b

Wood Stud Wall

TV HEIGHT
CALCULATOR

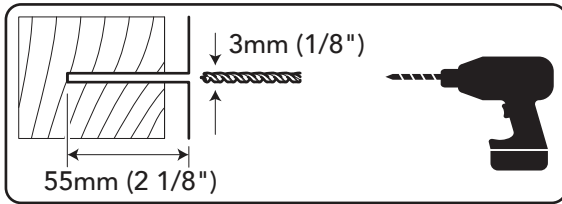


bit.ly/MHLMP44

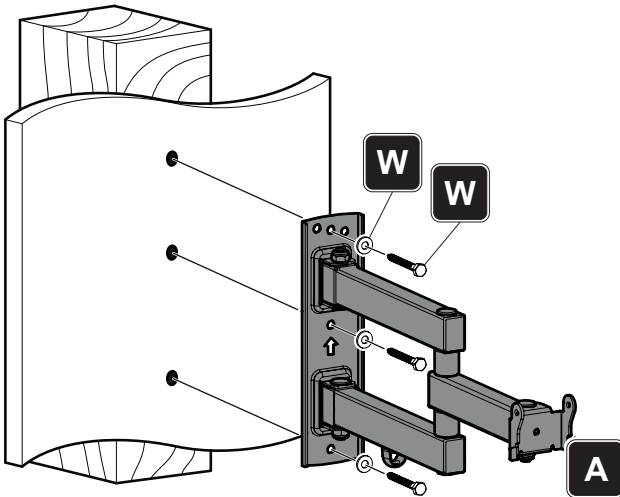


1300 762 219 (Australia)

(09) 9302 0077 (New Zealand)



Ensure drill holes are in the centre of the wood studs.

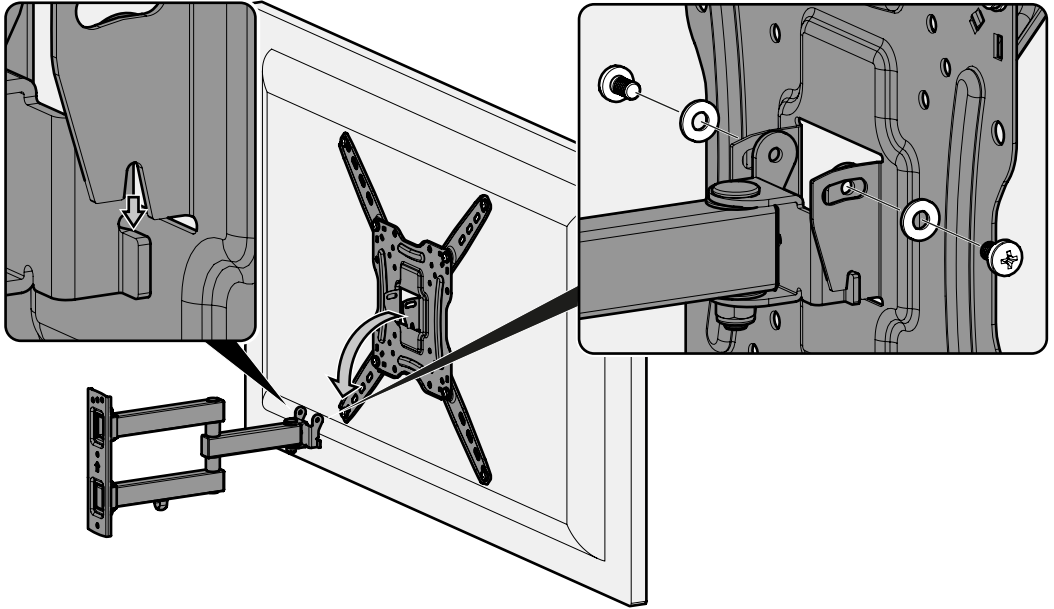


DO NOT overtighten screws.
Tighten screws by hand only.



4

Hanging the TV



5

Tilt Adjustment

