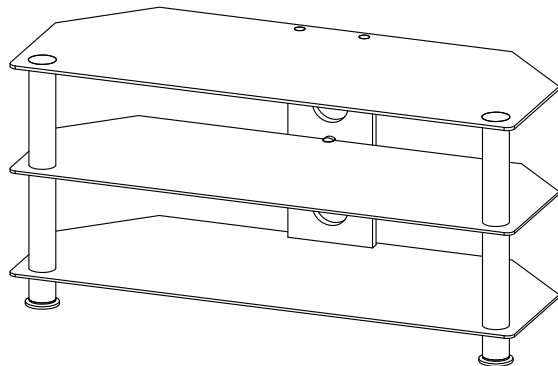




# ASSEMBLY INSTRUCTIONS

## LPF1000B



Thank you for choosing AVS LPF1000B AV Furniture. Before beginning assembly, please check all parts are included and undamaged. For any assembly or parts enquiries, please contact Arisit Pty Ltd on 1300 762 219 or email to [arisit@arisit.com](mailto:arisit@arisit.com)

The top shelf supports up to 30 kg ( 66 lbs)  
The middle shelf supports up to 15 kg ( 33 lbs)  
The lower shelf supports up to 15 kg ( 33lbs)

**LPF1000B**

1	2	3	4	5	6	7
1000x380x6	1000x350x5	1000x380x5	50x194	50x53	392x170x18	60x170x18
1x	1x	1x	4x	2x	1x	1x

A	B	C	D	E	F	G	H
Ax2	Bx2	Cx2	Dx2	Ex2	Fx3	Gx1	Hx2

**PRODUCT CARE:** Care for your furniture by cleaning with Glass cleaner and a disposable Paper towel, do NOT use abrasive chemical products to clean your AVS furniture.

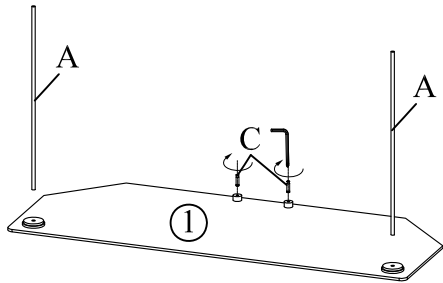
**CAUTION:** Do not use this product for any purpose not explicitly specified by AVS. Improper installation may cause property damage or personal injury. If you do not understand these directions, or have doubts about the safety of the installation, contact AVS Customer Service or call a qualified contractor. AVS is not responsible for damage or injury caused by incorrect mounting, assembly, or use.

**WARNING!** This product contains small items that could be a choking hazard if swallowed. Keep these items away from young children!

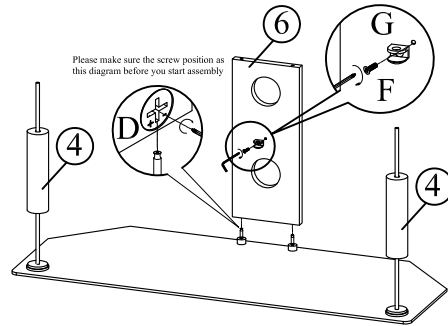
AV SUPPLY GROUP ( AVS ) intend to make this manual accurate and complete . However , AVS makes no claim that the information contained herein covers all details, conditions , or variations . Nor does it provide for every possible contingency in connection with the installation or use of this product . The information contained in this document is subject to change without notice or obligation of any kind . AVS makes no representation of warranty, expressed or implied , regarding the information contained herein . AVS assumes no responsibility for accuracy , completeness or sufficiency of the information contained in this document.

# LPF1000B

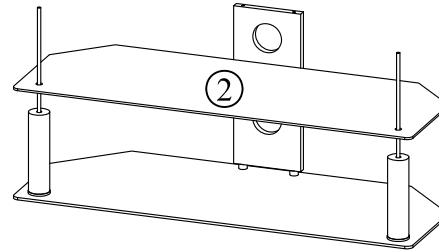
1



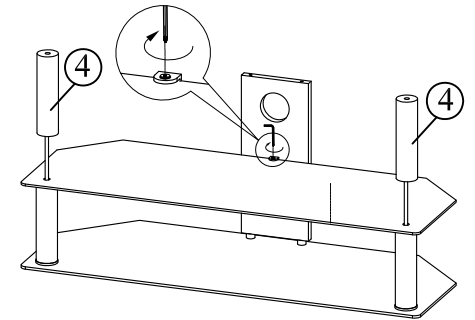
2



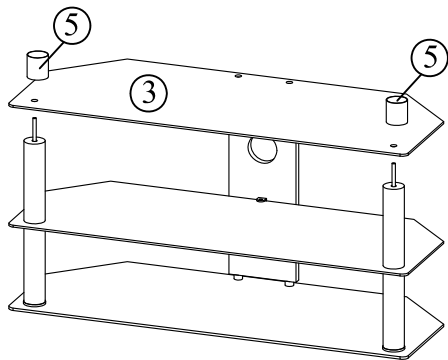
3



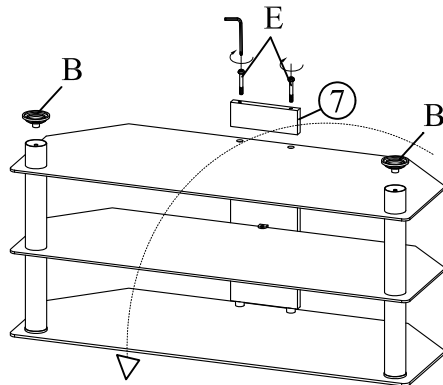
4



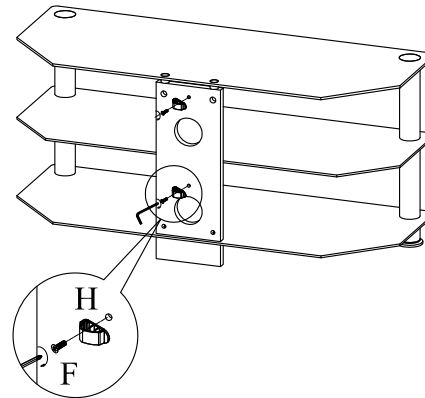
5



6



7



8

