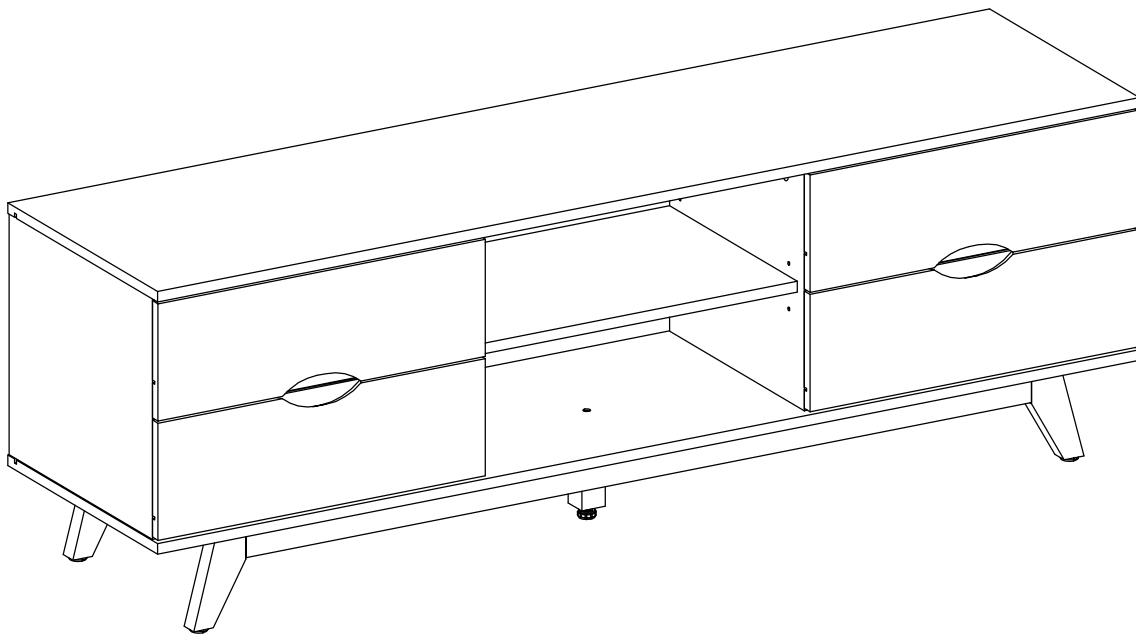




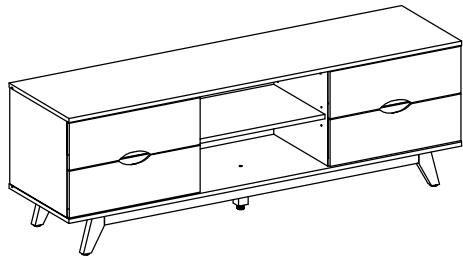
ASSEMBLY INSTRUCTIONS

CB1500SOW

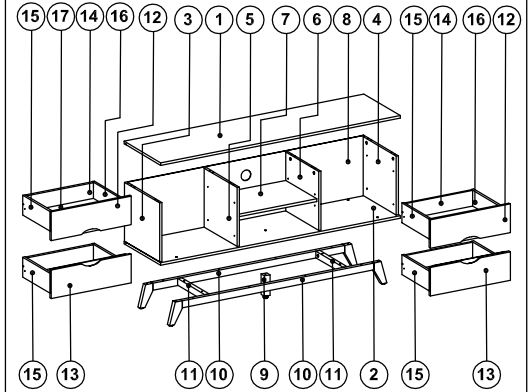
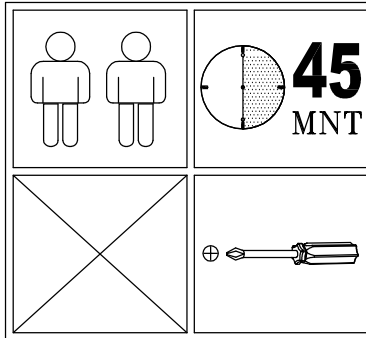


Thank you for choosing AVS CB1500SOW AV Furniture. Before beginning assembly, please check all parts are included and undamaged. For any assembly or parts enquiries, please contact Arisit Pty Ltd on 1300 762 219 or email to arisit@arisit.com

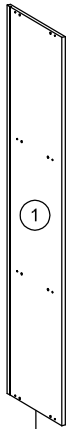
CB1500SOW



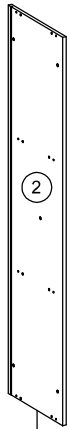
The cabinet top supports up to 35 kg (77 lbs.)
The middle shelf supports up to 7.5 kg (16.5 lbs.)



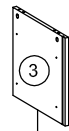
PRODUCT CARE: Care for your furniture by cleaning with glass cleaner and a disposable paper towel, do NOT use abrasive chemical products to clean your AVS furniture



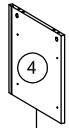
1500 X 396 X 15 1x



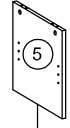
1500 X 396 X 15 1x



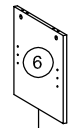
340 X 379 X 15 1x



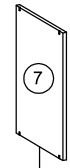
340 X 379 X 15 1x



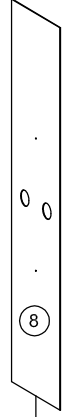
340 X 356 X 15 1x



340 X 356 X 15 1x



493 X 338 X 15 1x



1477 X 351 X 2.5 1x



1360 X 130 X 25 2x



295 X 38 X 25 2x



500 X 165 X 15.5 2x



500 X 165 X 15.5 2x



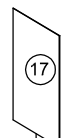
420 X 112 X 15 4x



340 X 114 X 15 4x




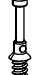




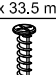

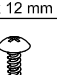

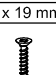
340 X 114 X 15 4x



431 X 336.5 X 2.5 4x

CAUTION: Do not use this product for any purpose not explicitly specified by AVS. Improper installation may cause property damage or personal injury. If you do not understand these directions, or have doubts about the safety of the installation, contact AVS Customer Service or call a qualified contractor. AVS is not responsible for damage or injury caused by incorrect mounting, assembly, or use.

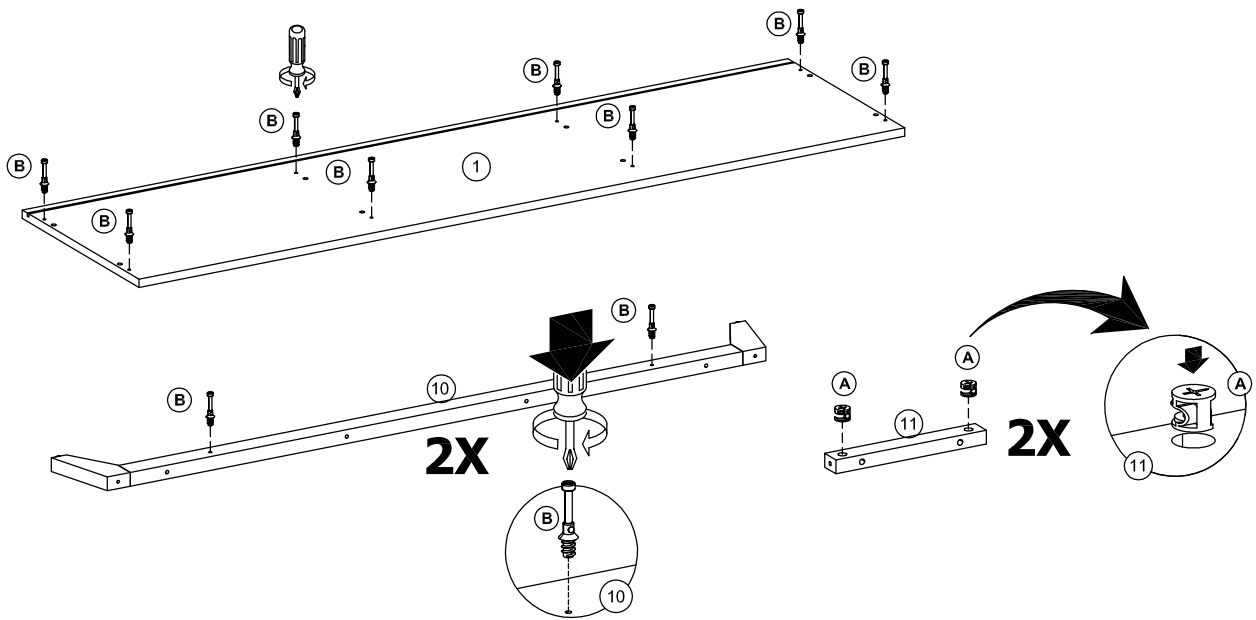
WARNING! This product contains small items that could be a choking hazard if swallowed. Keep these items away from young children!

 A X 20	 B X 20	 C X 25	 D X 48	 E X 32
 F X 4	 G X 33	 H X 4	 I X 2	 J X 14
 K X 14				

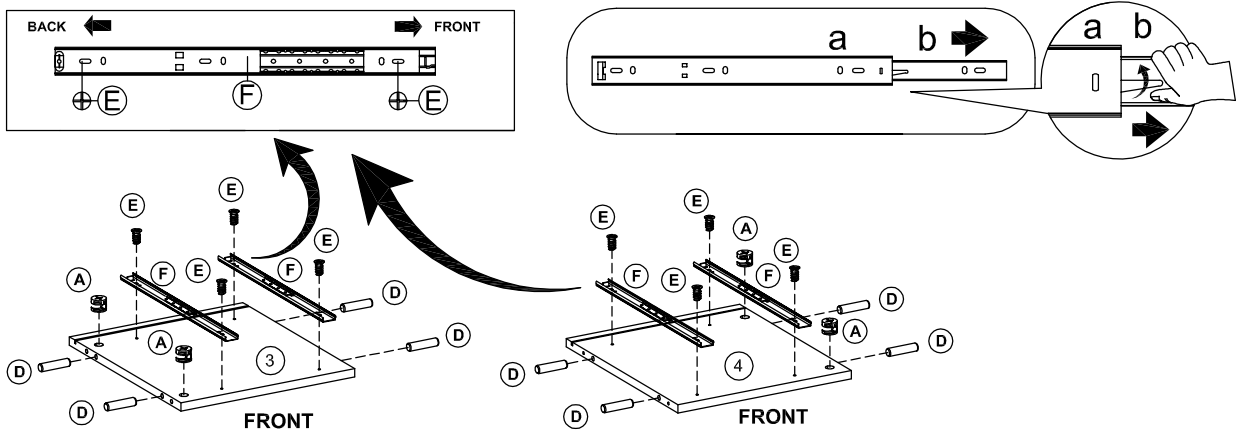
Arisit intends to make this manual accurate and complete. However, Arisit makes no claim that the information contained herein covers all details, conditions, or variations. Nor does it provide for every possible contingency in connection with the installation or use of this product. The information contained in this document is subject to change without notice or obligation of any kind. Arisit makes no representation of warranty, expressed or implied, regarding the information contained herein. Arisit assumes no responsibility for accuracy, completeness or sufficiency of the information contained in this document.

CB1500SOW

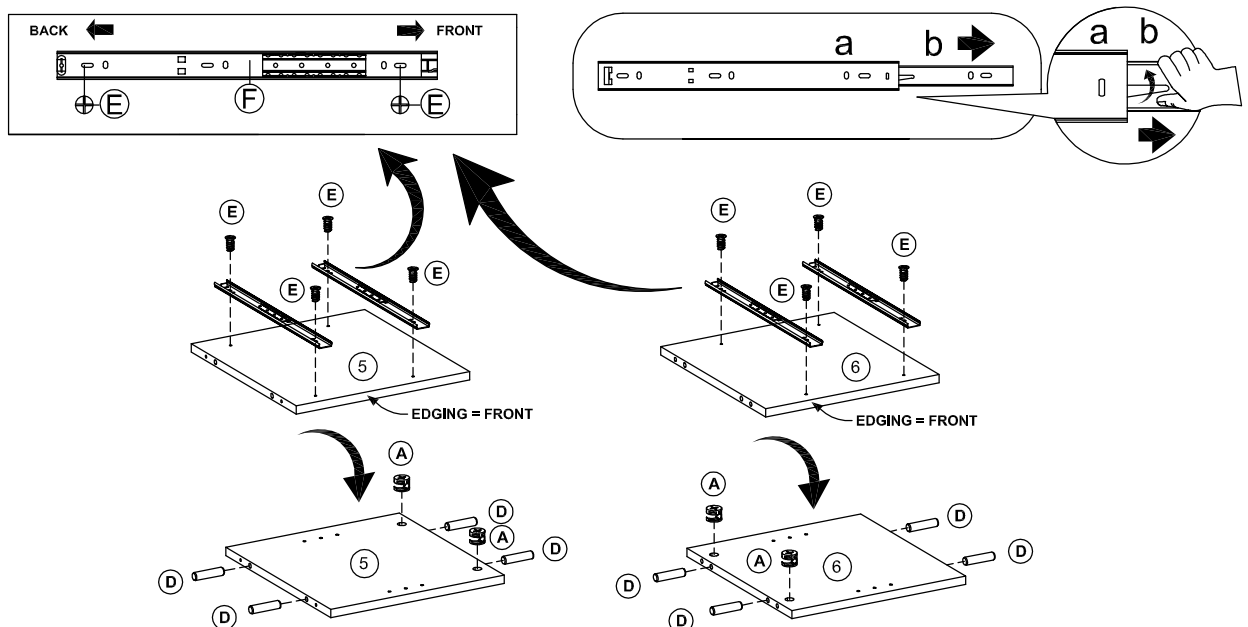
1



2

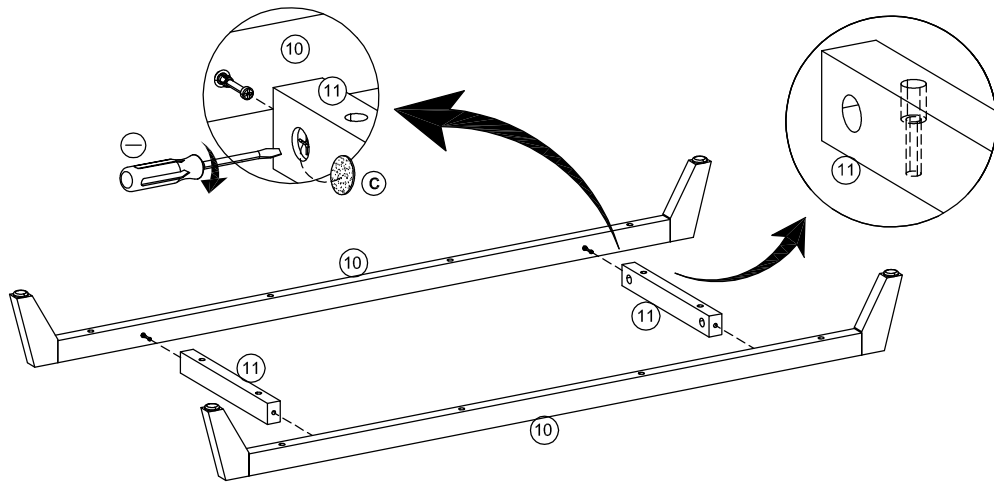


3

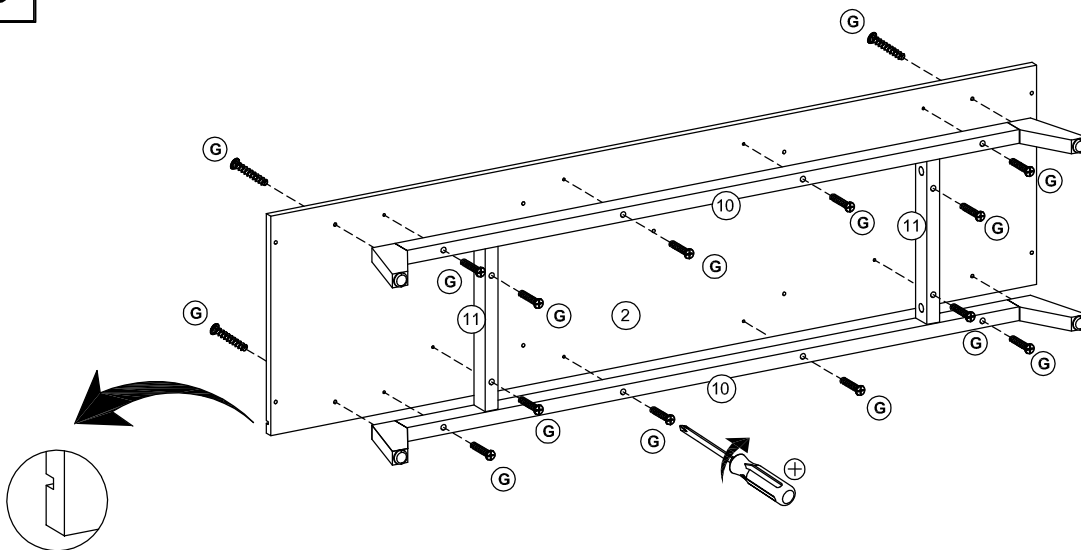


CB1500SOW

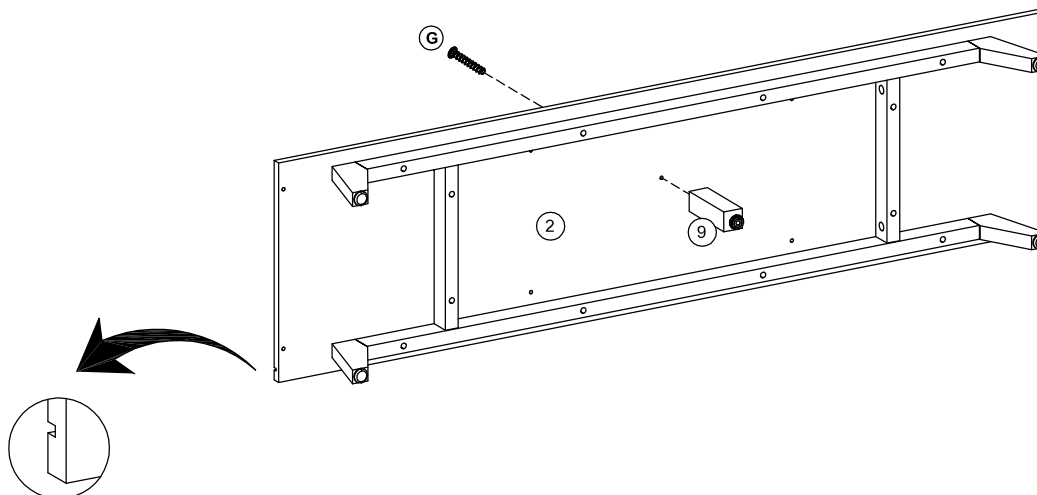
4



5

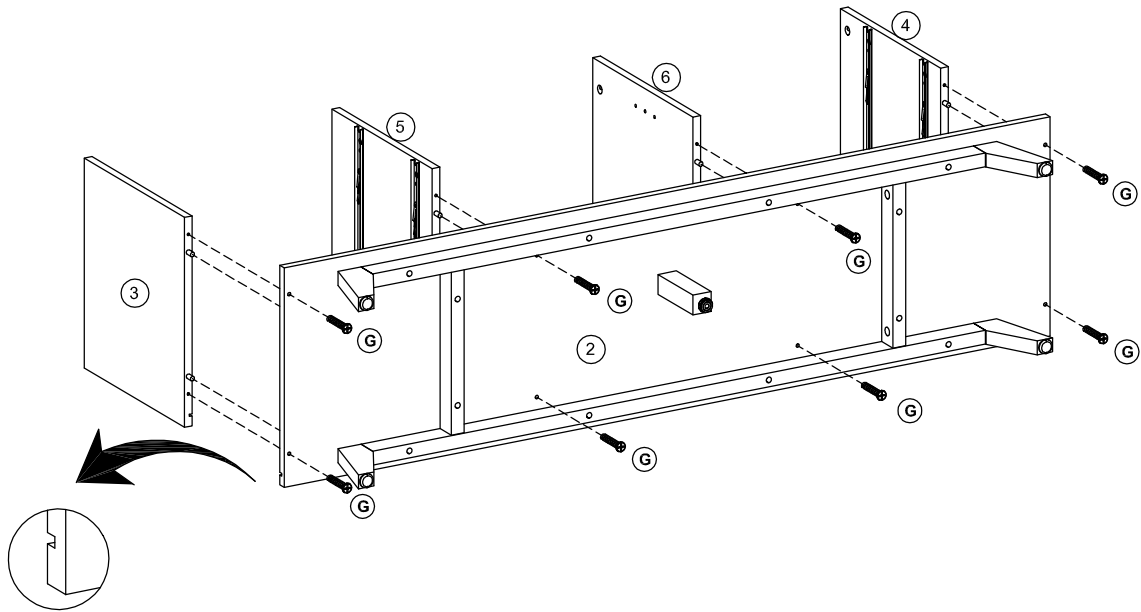


6

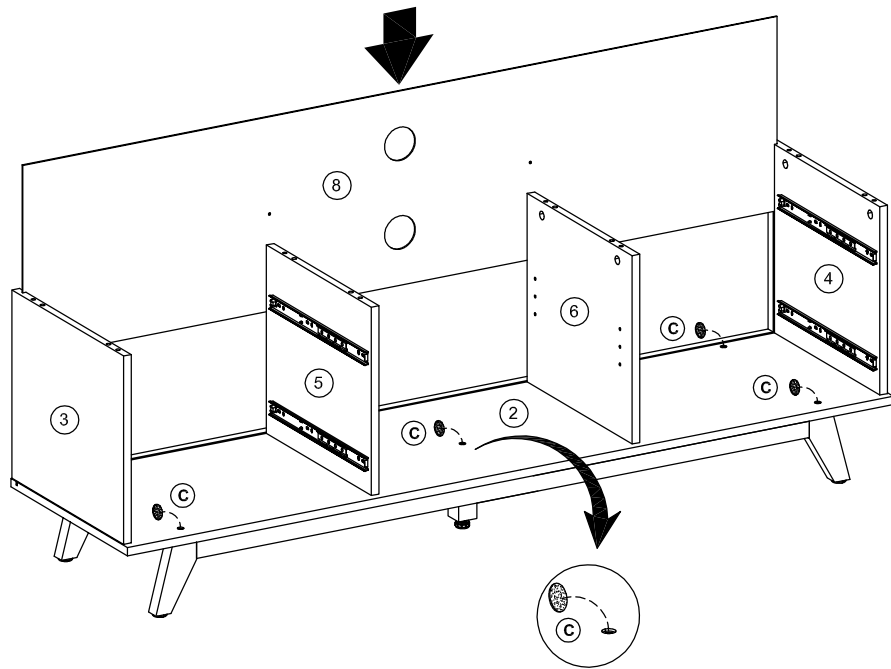


CB1500SOW

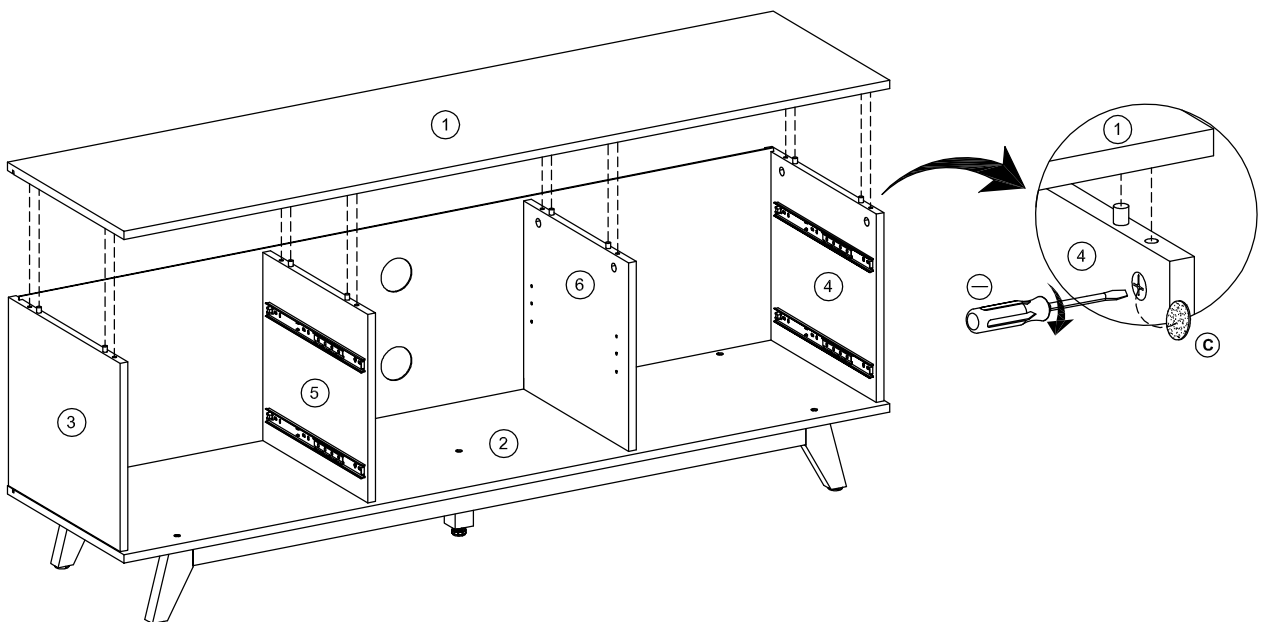
7



8

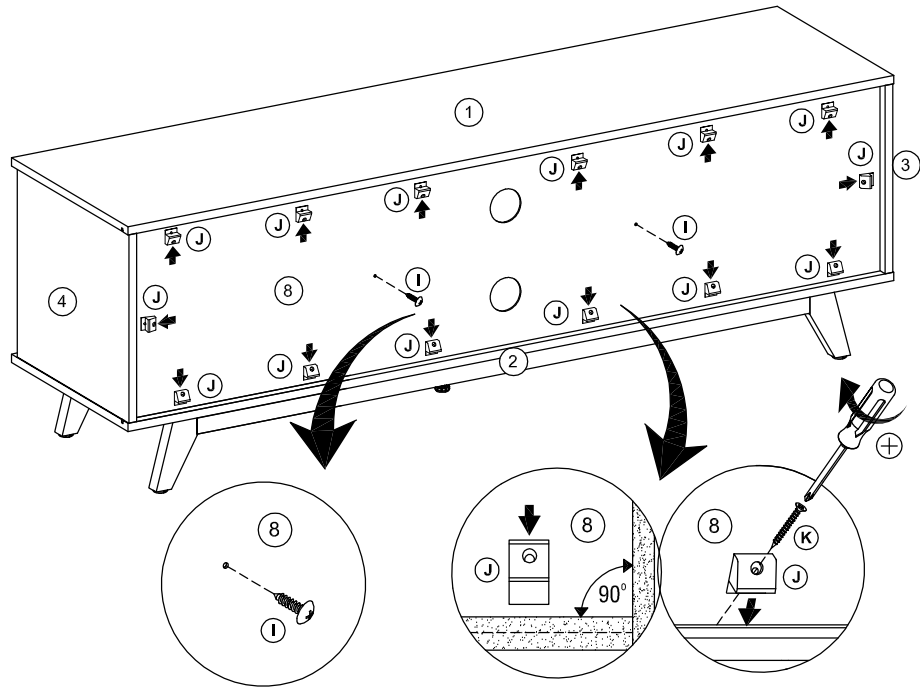


9

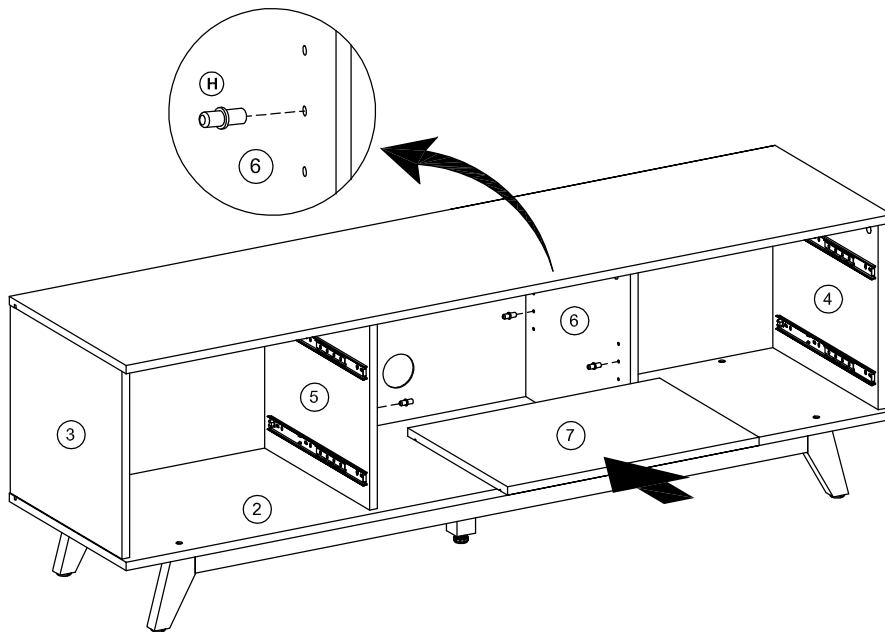


CB1500SOW

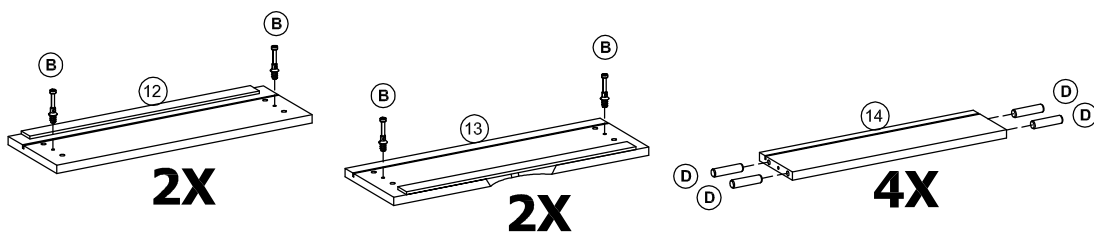
10



11

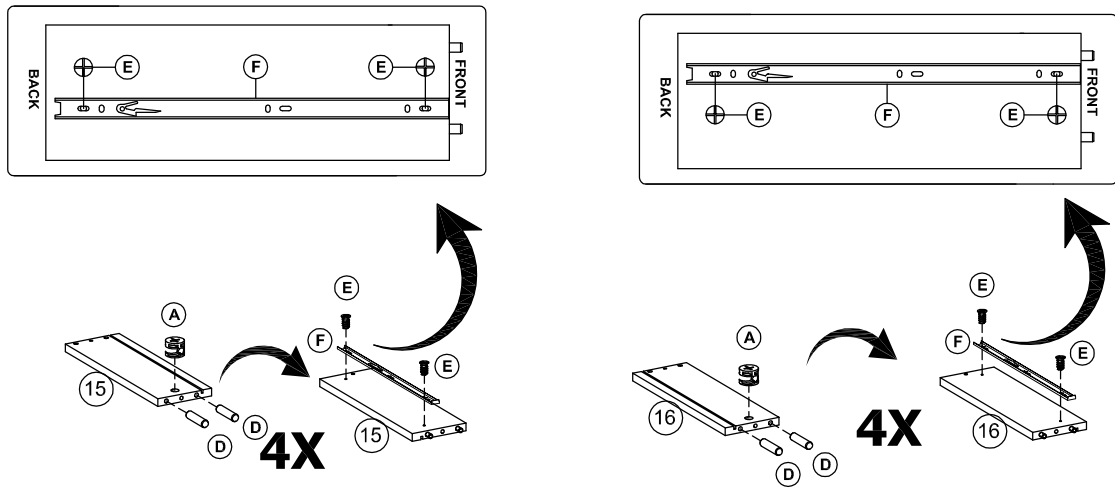


12

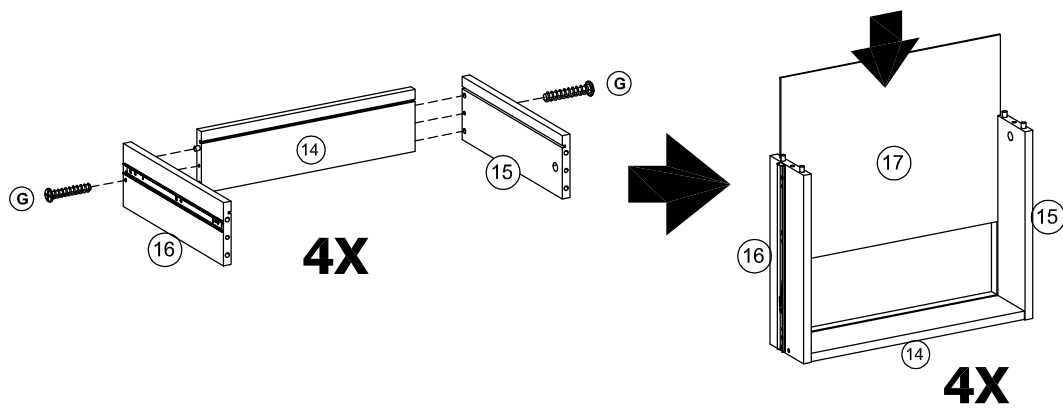


CB1500SOW

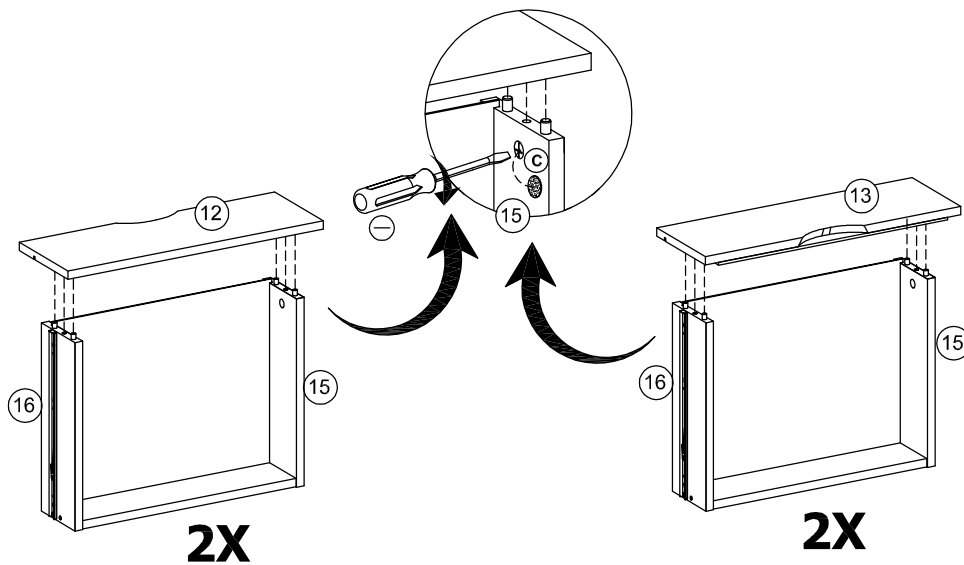
13



14

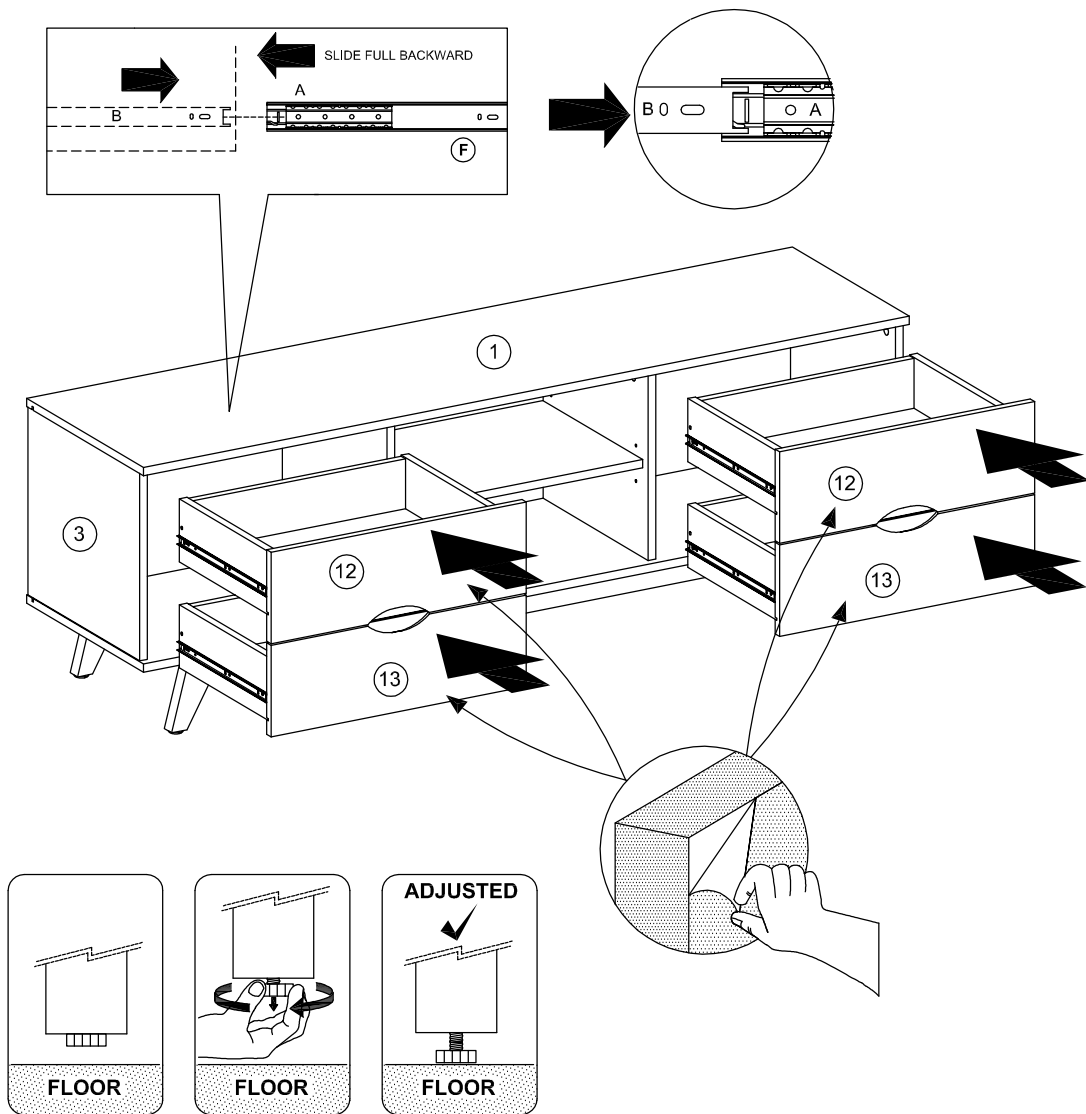


15














CB1500SOW

16



PART NUMBER REFERENCE

NO	ID PART	DRAWING PART	DESCRIPTION	UNIQUE CODE OF HARDWARE
1	A		CAMLOCK (15 X 12 MM)	CB1500SOWA
2	B		CAMBOLT (7,5 X 32 MM)	CB1500SOWB
3	C		CAM STICKER (20 MM)	CB1500SOWC
4	D		WOOD DOWEL (8 X 32 MM)	CB1500SOWD
5	E		FLAT HEAD SCREW (6 X 8 MM)	CB1500SOWE
6	F		SINGLE EXTENTION RAIL (350 MM)	CB1500SOWF
7	G		FLAT HEAD SCREW (10 X 33,5 MM)	CB1500SOWG
8	H		PEN RACK	CB1500SOWH
9	I		PAN HEAD SCREW (3 X 12 MM)	CB1500SOWI
10	J		BACKPLY STOPPER	CB1500SOWJ
11	K		FLAT HEAD SCREW (4 X 19 MM)	CB1500SOWK

NO	ID PART	DESCRIPTION	UNIQUE CODE OF HARDWARE
1	1	TOP PANEL	CB1500SOW1
2	2	BOTTOM PANEL	CB1500SOW2
3	3	LEFT SIDE PANEL	CB1500SOW3
4	4	RIGHT SIDE PANEL	CB1500SOW4
5	5	LEFT DIVIDER	CB1500SOW5
6	6	RIGHT DIVIDER	CB1500SOW6
7	7	ADJUSTABLE SHELF	CB1500SOW7
8	8	BACK PANEL	CB1500SOW8
9	9	CENTER LEG	CB1500SOW9
10	10	WOOD LEG	CB1500SOW10
11	11	BOTTOM SUPPORT PANEL (MIDDLE)	CB1500SOW11
12	12	FRONT DRAWER PANEL (TOP)	CB1500SOW12
13	13	FRONT DRAWER PANEL (BOTTOM)	CB1500SOW13
14	14	REAR DRAWER PANEL	CB1500SOW14
15	15	LEFT DRAWER PANEL	CB1500SOW15
16	16	RIGHT DRAWER PANEL	CB1500SOW16
17	17	BOTTOM DRAWER PANEL	CB1500SOW17