

4000DG-SL



4 Burner Drop-In Gas BBQ in Stainless Steel with Slimline Enclosed Hood



Features & Benefits:

Warranty Period	2 Year Manufacturer Warranty
Stylish Drop-In Design	Gives your outdoor alfresco space a modern, classy finish as the BBQ drops down into the benchtop of your cabinetry. The slimline enclosed hood shape helps to give a more low-profile look to the BBQ.
Slimline Double-Skinned Hood	The slimline hood helps to compliment the drop-in style of the BBQ. The double layer within the hood offers improved insulation and heat retention when cooking with the hood closed resulting in improved efficiency and a more steady temperature.
Integrated Thermostat	A thermostat is cleverly integrated into the enclosed hood helping to provide an accurate reading of the internal temperature within the BBQ cavity for roasting with the hood closed.
High Quality Burners With Even Heat Dispersion	4 x high quality tube burners are made from 304 grade stainless steel. The 304 grade stainless steel flame tamers assist with even heat distribution while reducing flare ups, helping to provide an excellent grilling experience.
304 Grade Stainless Steel	Made of high grade stainless steel which is very resistant to heat and salt helping to avoid corrosion and decay within the harsh Australian climate.
Stainless Steel Warming Rack	Provides additional space within the BBQ for already cooked food that you want to keep warm.
Cast Iron Grill Plates	The BBQ features 1 x open grill plate and 1 x solid/flat grill plate which is reversible for either a smooth or ridged finish. Both plates are made from quality cast iron that allows for even heat distribution and heat retention making them ideal for searing & grilling.
Comfort Electronic Ignition System	Safe and easy Comfort Electronic Ignition System can be lit without the use of flammable and explosive matches and lighters.
Ergonomic Controls	The ergonomic controls are conveniently located to the side of the BBQ helping to maximise the grilling surface with power level indicators.
Blue LED Lighting on Controls	Each of the BBQ's control knobs features long-lasting & energy efficient blue LED lights helping to make night time entertaining super easy and safe.
UV Protected Cover	Your barbecue will not only last longer but will also look better when protected with the weather proof cover provided as a standard additional extra.
Oil Management System	Makes cleaning simple as fats and oils drip down into the removable grease cup at the bottom. The draining channels can be easily accessed for cleaning.
LPG Jets Fitted. Can Be Converted To Natural Gas	The BBQ comes equipped for LPG out of the box and can be converted for usage with Natural Gas by an authorised professional. (Conversion kit needs to be purchased separately)
Included Extras	Weather Proof UV Protected Cover, S/Steel Warming Rack & Removable Grease Drip Tray

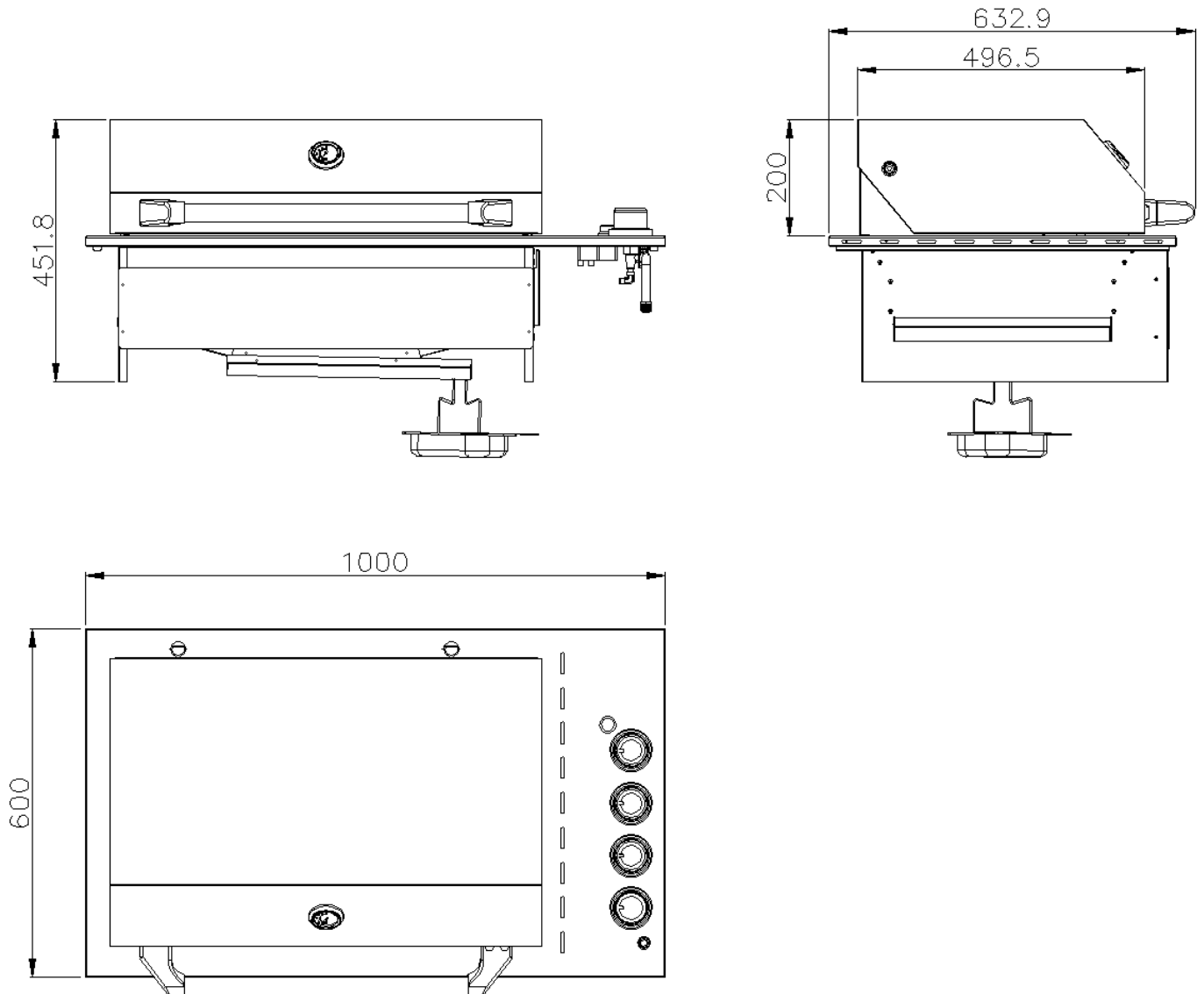
Distributed by Arisit Pty Ltd

40-44 Mark Anthony Drive, Dandenong South VIC 3175 Phone: 1300 762 219 Fax: 03 9706 6904 Website: www.arisit.com

4000DG-SL



4 Burner Drop-In Gas BBQ in Stainless Steel with Slimline Enclosed Hood



WARNING: Technical specifications and product sizes can be varied by the manufacturer without notice. Cut outs for appliances should only be physical product measurements. The above information is indicative only.

This BBQ can only be operated in outdoor environments. Minimum clearances to combustible materials must be maintained.

For Natural Gas Conversion please refer to the product user manual. This process should only be done by an authorised professional.

Distributed by Arisit Pty Ltd

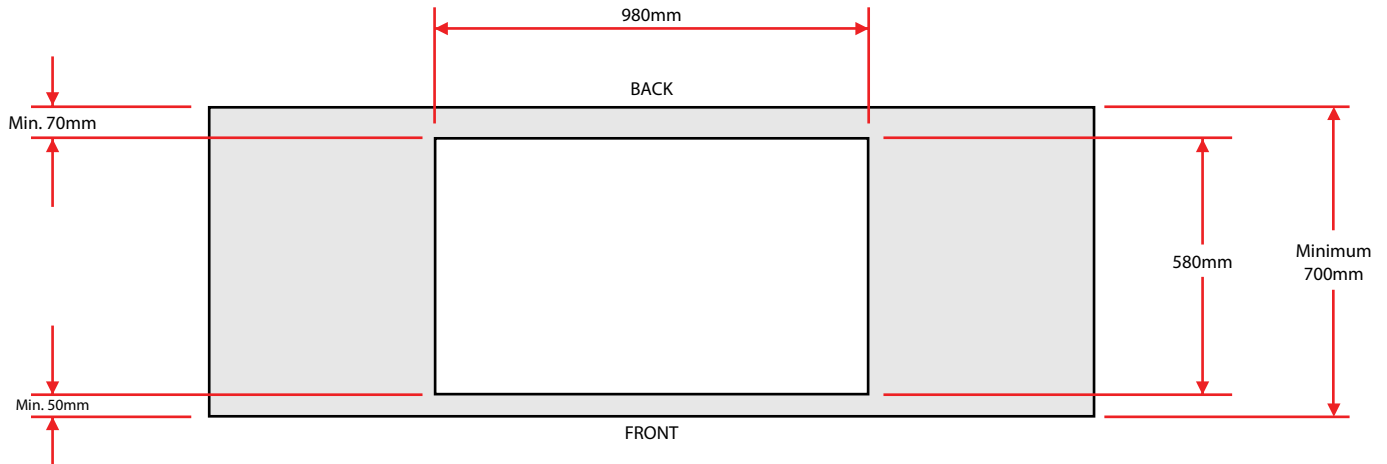
40-44 Mark Anthony Drive, Dandenong South VIC 3175 Phone: 1300 762 219 Fax: 03 9706 6904 Website: www.arisit.com

4000DG-SL

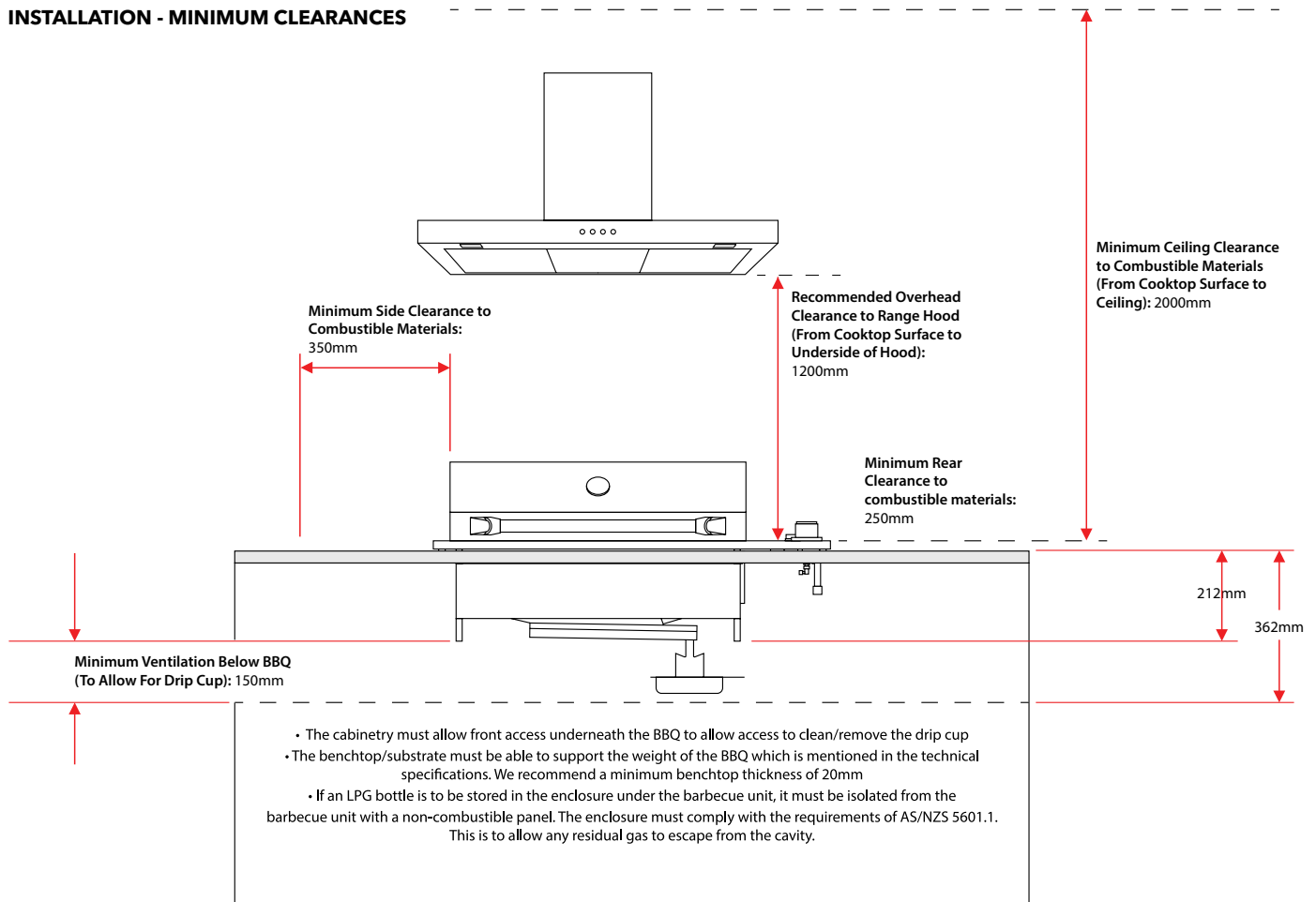


4 Burner Drop-In Gas BBQ in Stainless Steel with Slimline Enclosed Hood

INSTALLATION - CABINETRY CUT-OUT



INSTALLATION - MINIMUM CLEARANCES



WARNING: Technical specifications and product sizes can be varied by the manufacturer without notice. Cut outs for appliances should only be physical product measurements. The above information is indicative only.

This BBQ can only be operated in outdoor environments. Minimum clearances to combustible materials must be maintained.

For Natural Gas Conversion please refer to the product user manual. This processed should only be done by an authorised professional.

Distributed by Arisit Pty Ltd

40-44 Mark Anthony Drive, Dandenong South VIC 3175 Phone: 1300 762 219 Fax: 03 9706 6904 Website: www.arisit.com

4 Burner Drop-In Gas BBQ in Stainless Steel with Slimline Enclosed Hood

Model	4000DG-SL
Fuel	LPG (can be converted to Natural Gas with a conversion kit - check user manual)
BBQ Construction (Hood, Control Panel & Chassis)	304 Grade Stainless Steel
Tube Burners	304 Grade Stainless Steel
Flame Tamers	304 Grade Stainless Steel
Double Skinned Hood	Yes
Total Gas Consumption (LPG)	48mj/h (12mj/hr each burner)
Total Gas Consumption (Natural Gas)	44mh/h (11mj/hr each burner)
Motorised Rotisserie	No
Controls Lighting	Blue LED Lighting on Each Knob
Internal BBQ Cavity Lighting	No
Ignition	Confort Electronic Ignition System
Flame Failure Safety Shut-Off	No (Should Not Be Installed Indoors)
Total Cooking Area	(w) 750mm x (d) 450mm
Grill Plate Materials	Cast Iron
Open Grill Plate Dimensions	(w) 350mm x (d) 450mm - quantity of 1 supplied
Solid Flat Grill Plate Dimensions	(w) 350mm x (d) 450mm - quantity of 1 supplied
Gross Product Weight:	
Total Product Dimensions (With Hood Closed)	(w) 1000mm x (d) 635mm x (h) 581mm - including grease cup <i>Dimensions will vary for different install methods</i>
Cut Out Dimensions <i>(Refer to Dimensional Drawings and minimum clearances to combustible materials)</i>	(w) 980mm x (d) 580mm + Minimum Height Clearance of 390mm Below The Benchtop + Minimum Benchtop Thickness of 20mm * Need to allow minimum 50mm clearance in the front of the benchtop & 70mm clearance at the rear - check with your cabinet maker re benchtop load weight. * Must allow access to the underside of the BBQ to allow for cleaning of the grease cup

WARNING: Technical specifications and product sizes can be varied by the manufacturer without notice. Cut outs for appliances should only be physical product measurements. The above information is indicative only.

This BBQ can only be operated in outdoor environments. Minimum clearances to combustible materials must be maintained.

For Natural Gas Conversion please refer to the product user manual. This processed should only be done by an authorised professional.