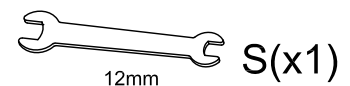
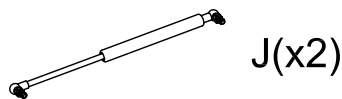
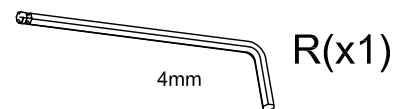
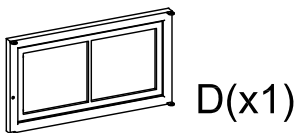
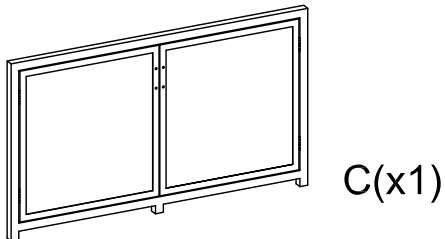
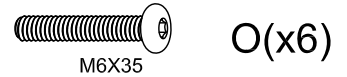
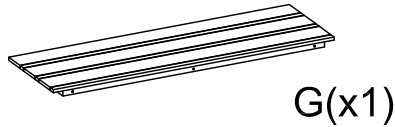
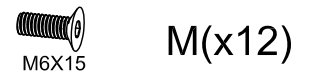
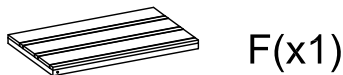
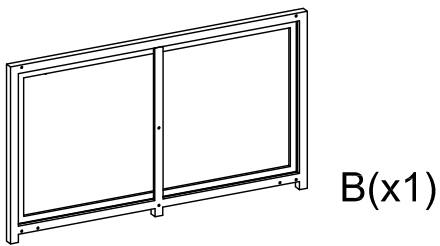
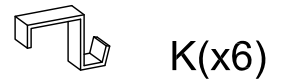
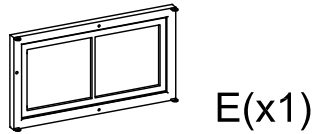
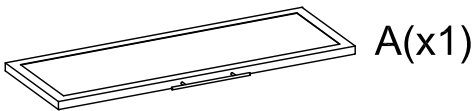
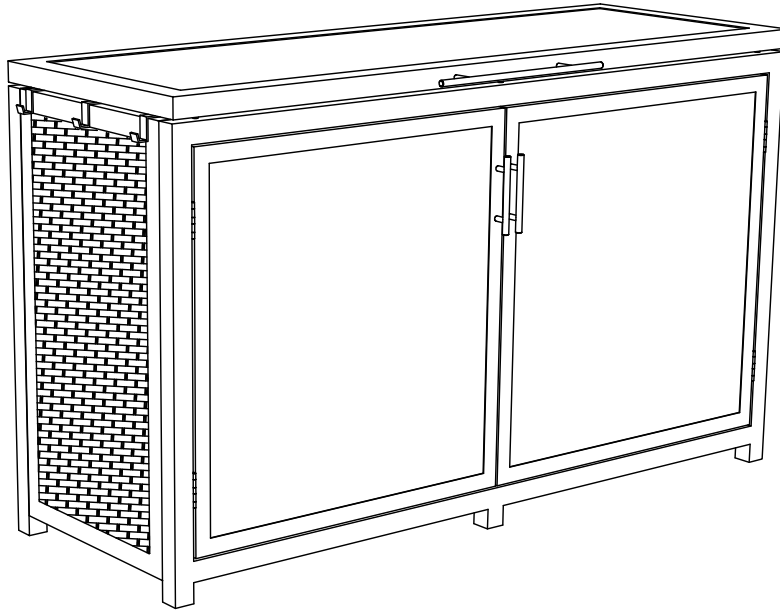
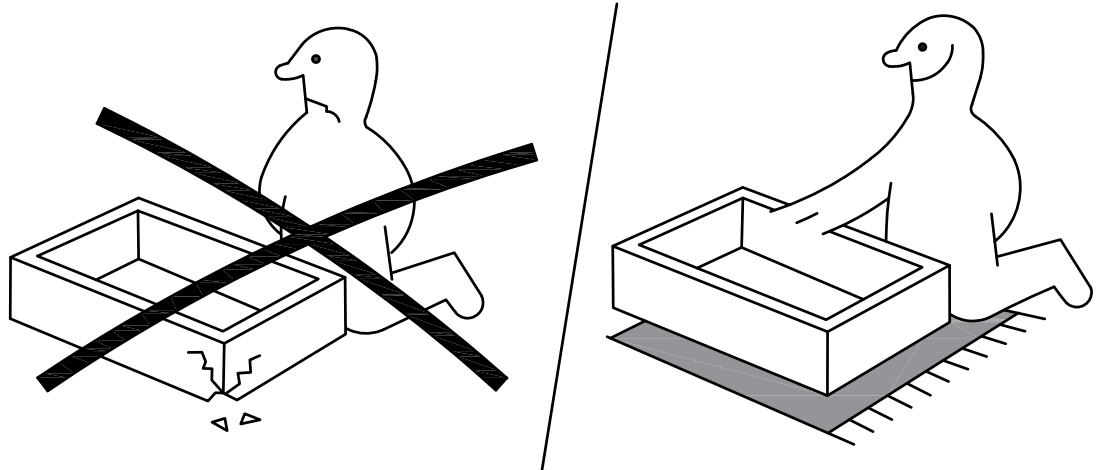


InfiniTree

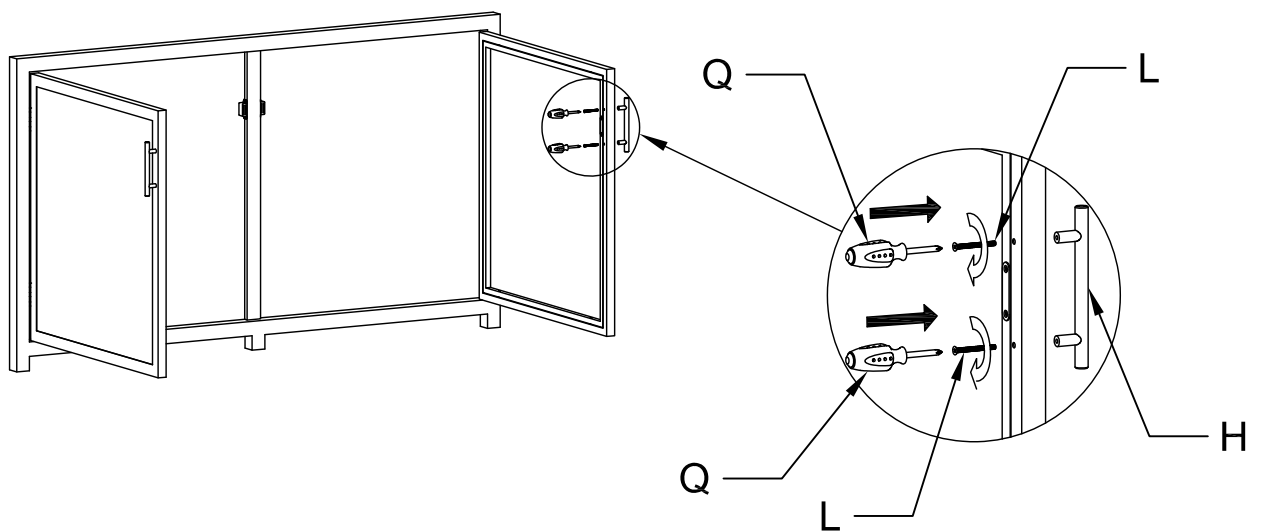
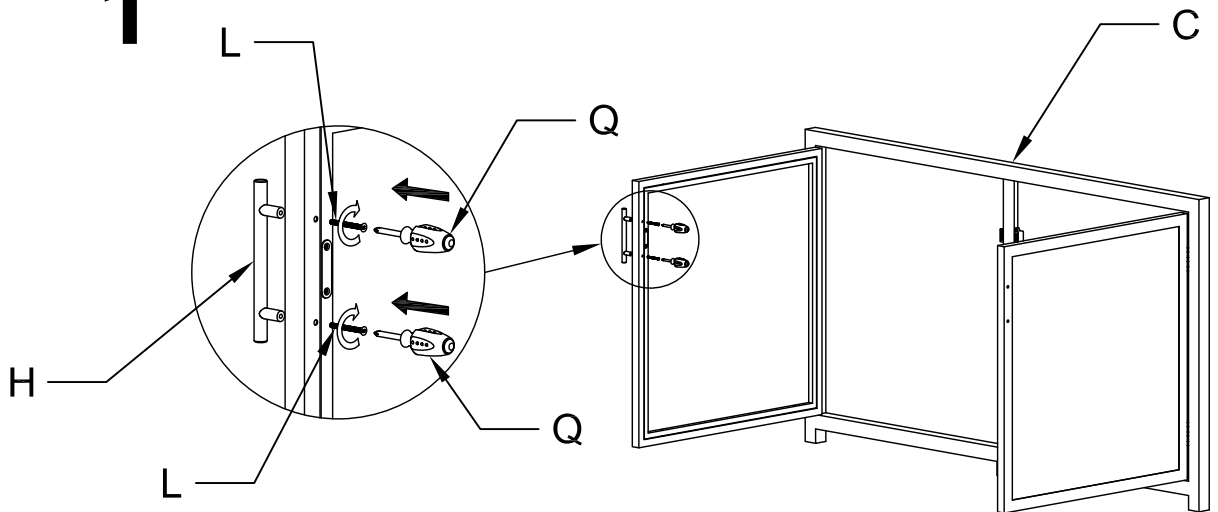
UNIQUE. OUTDOOR. LIVING.

TELLURIDE SPA STORAGE (DECK) BOX

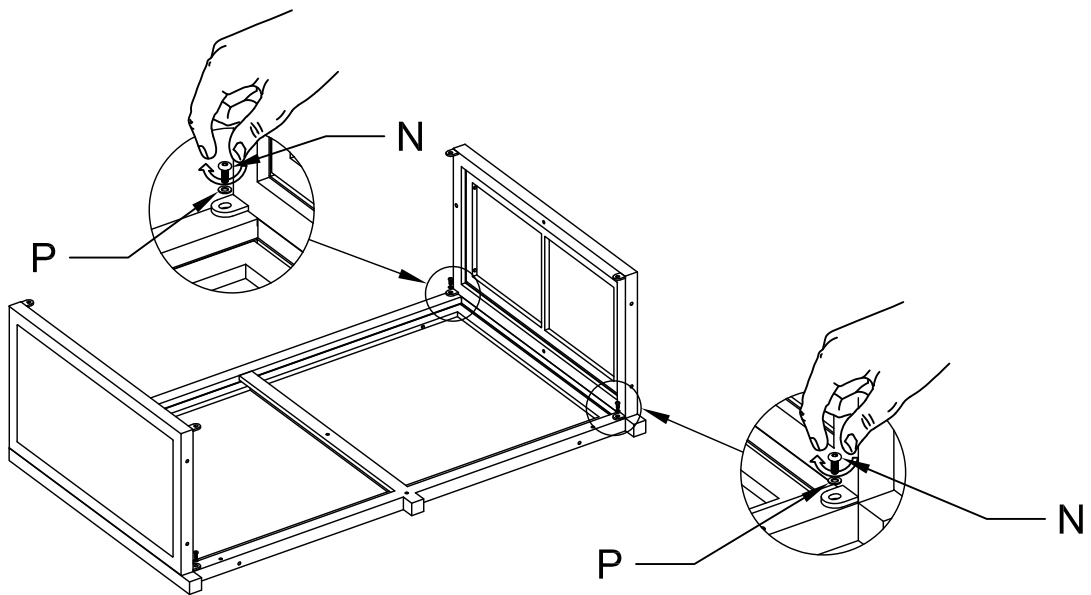
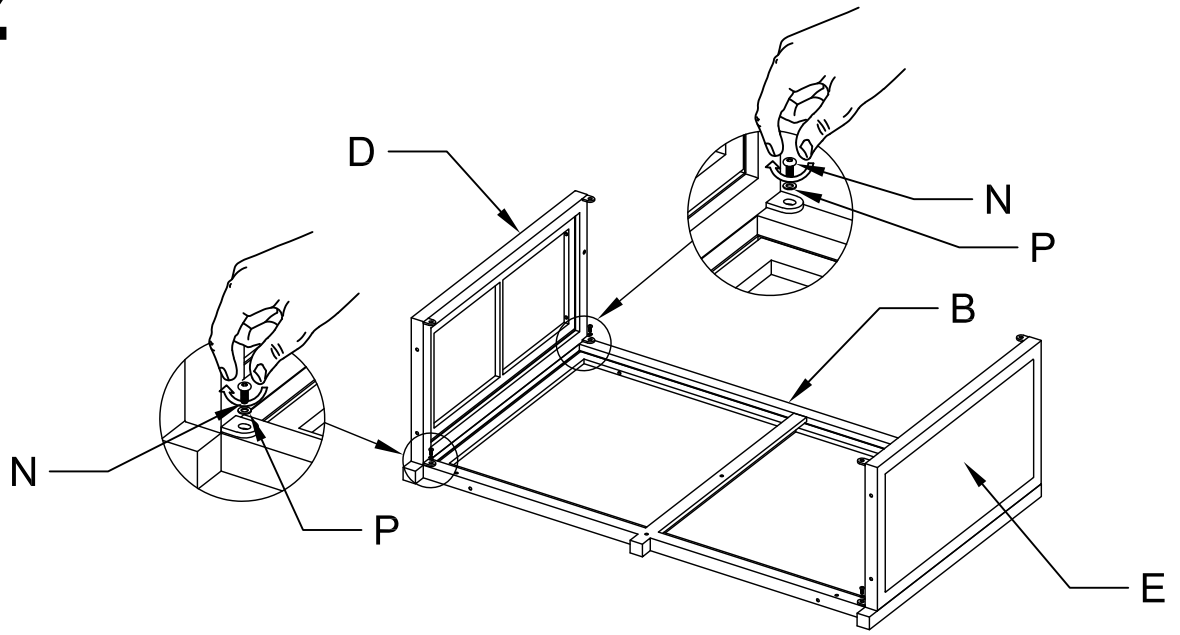




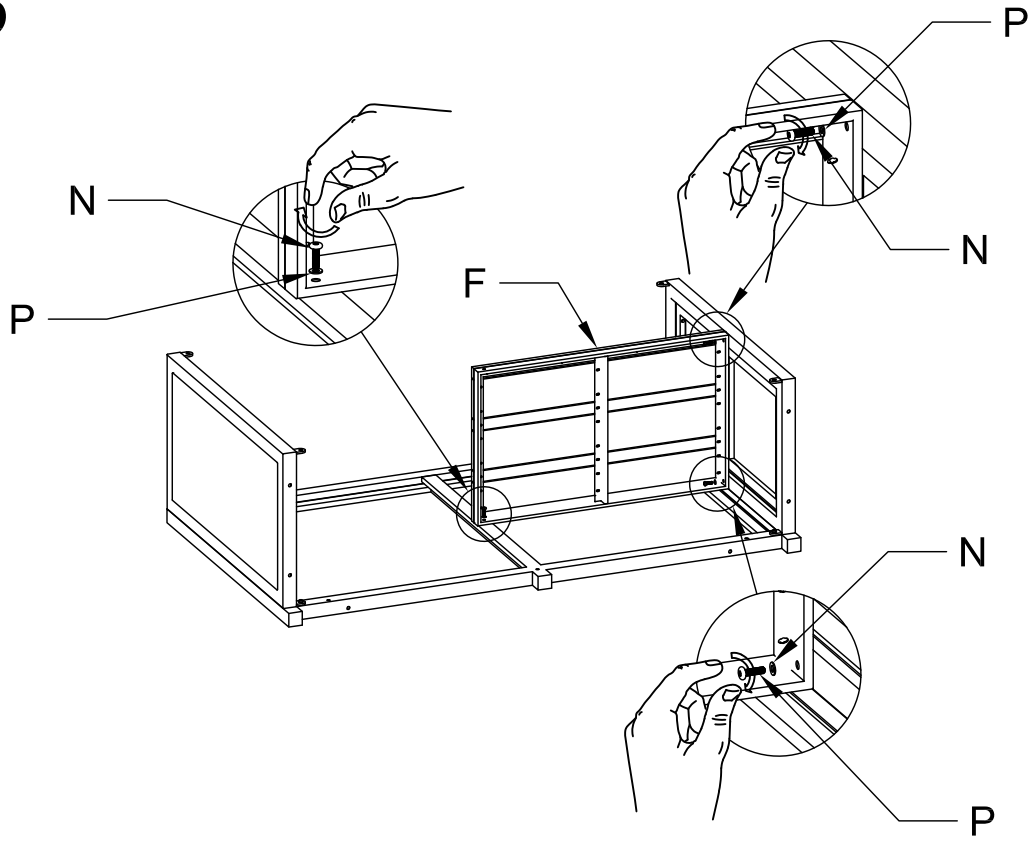
1



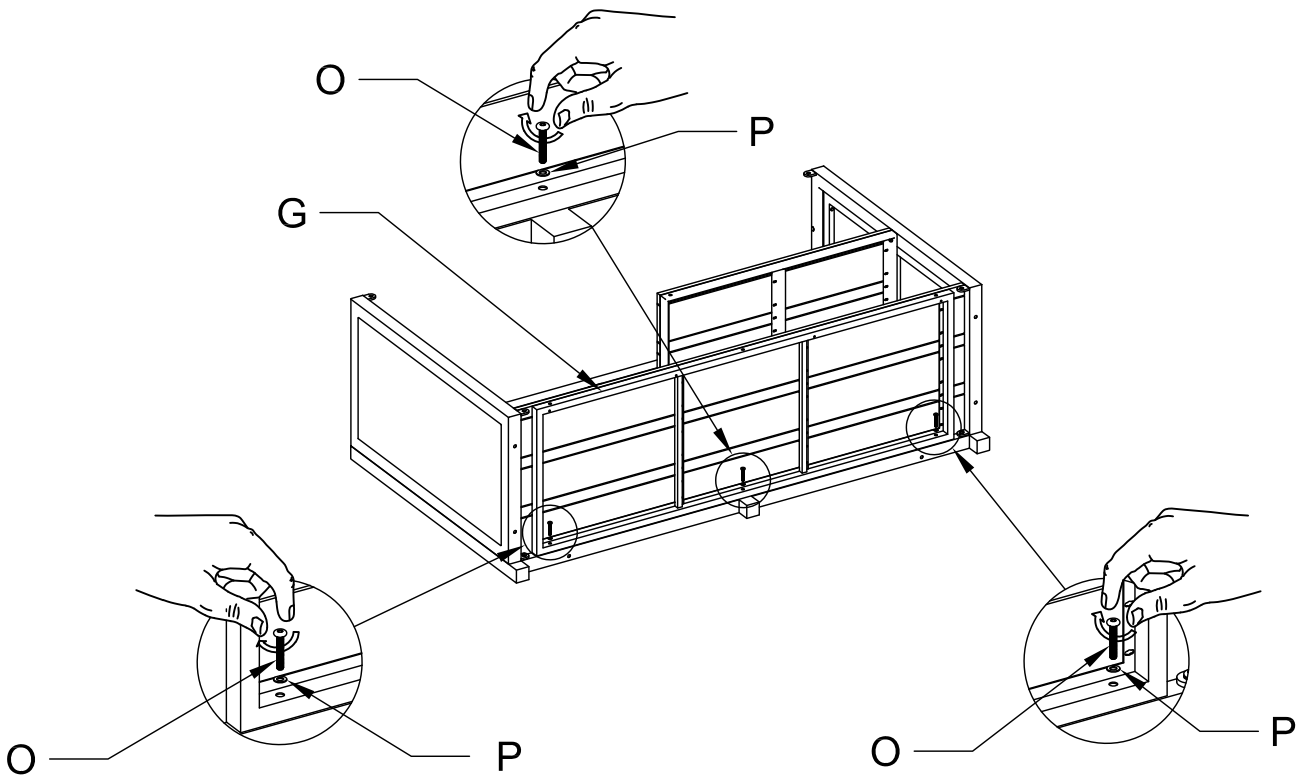
2



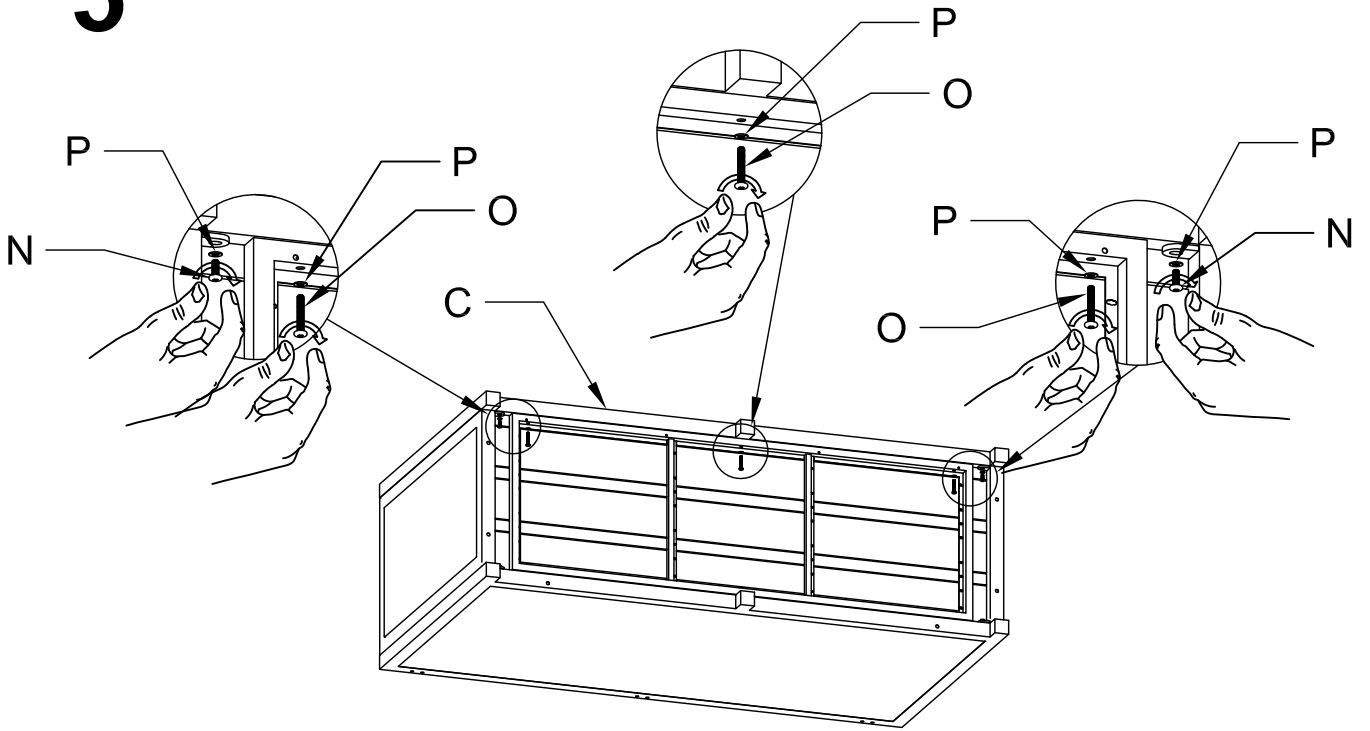
3



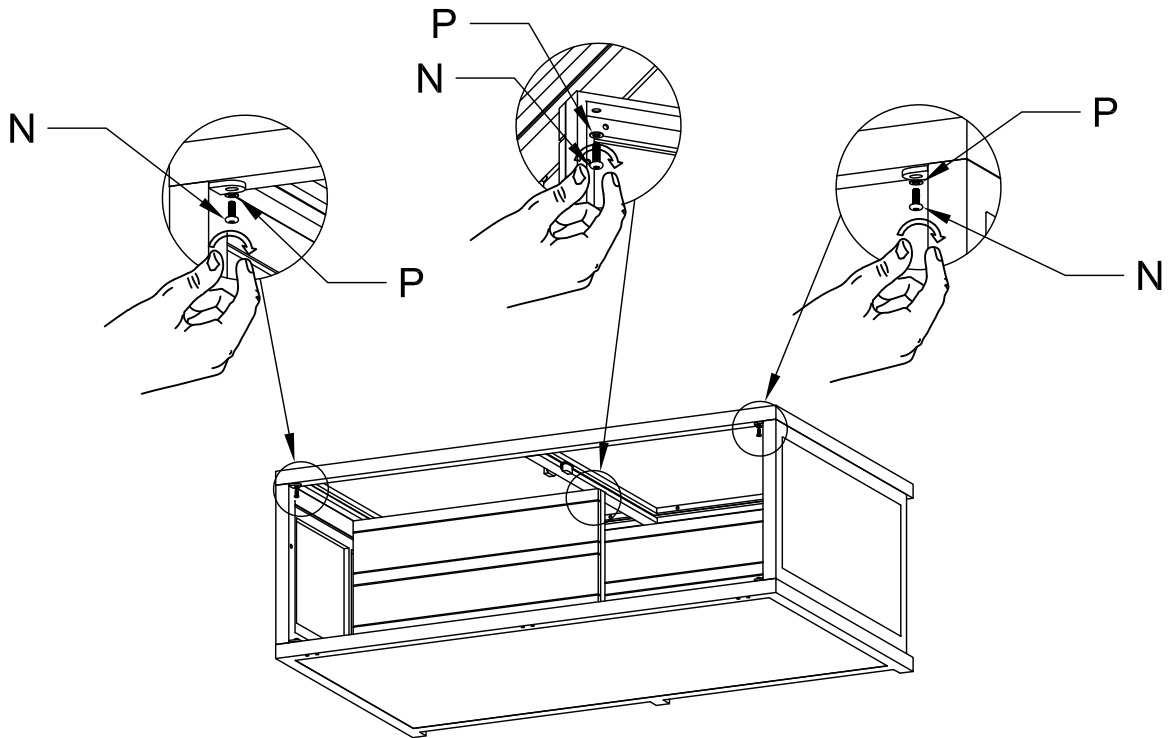
4



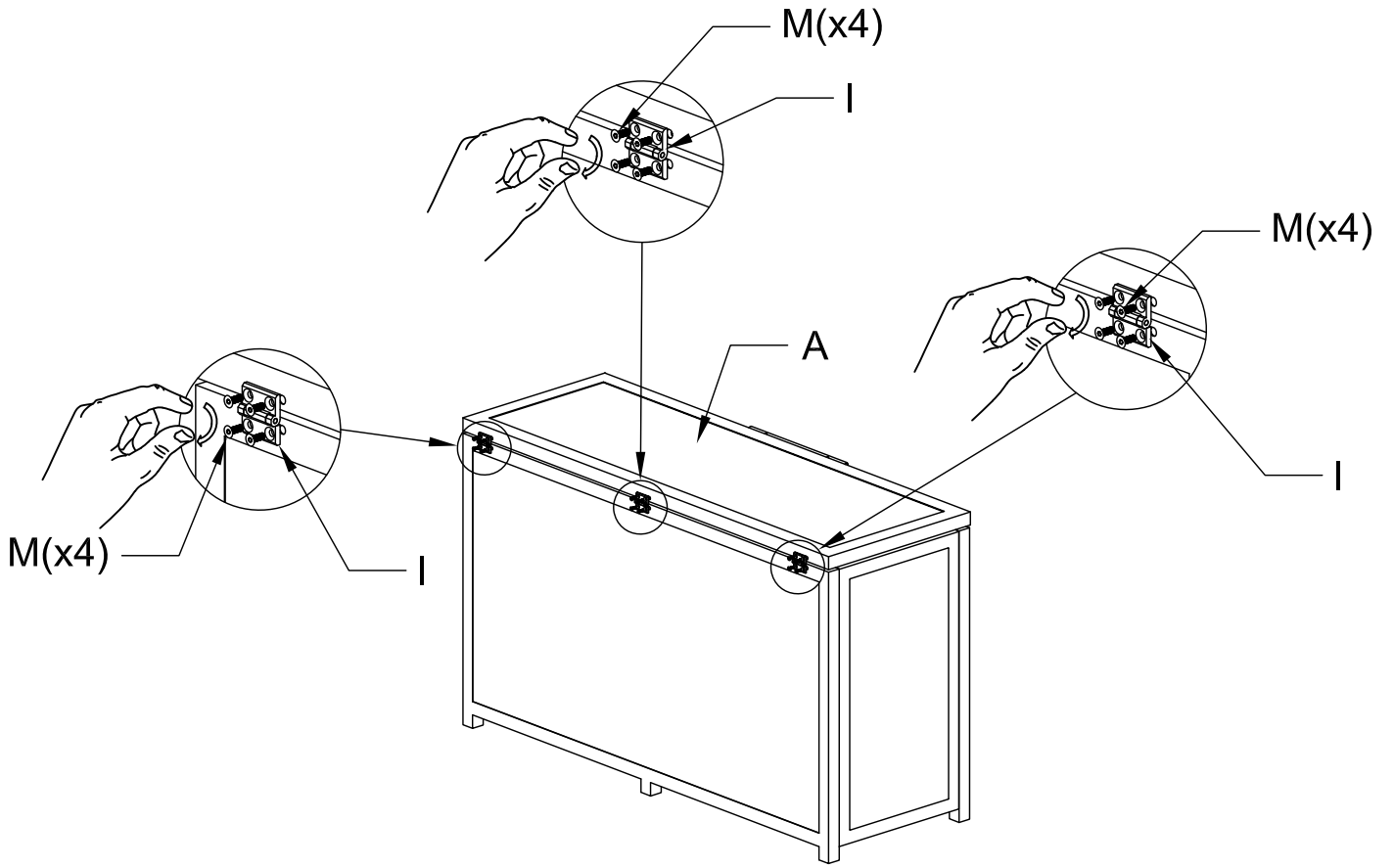
5



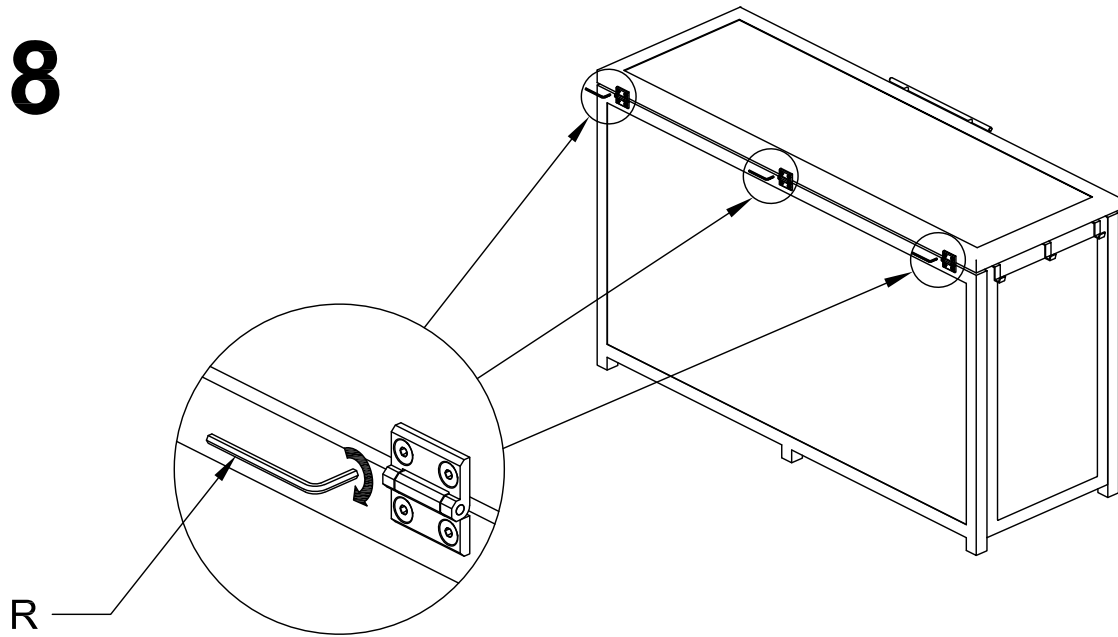
6



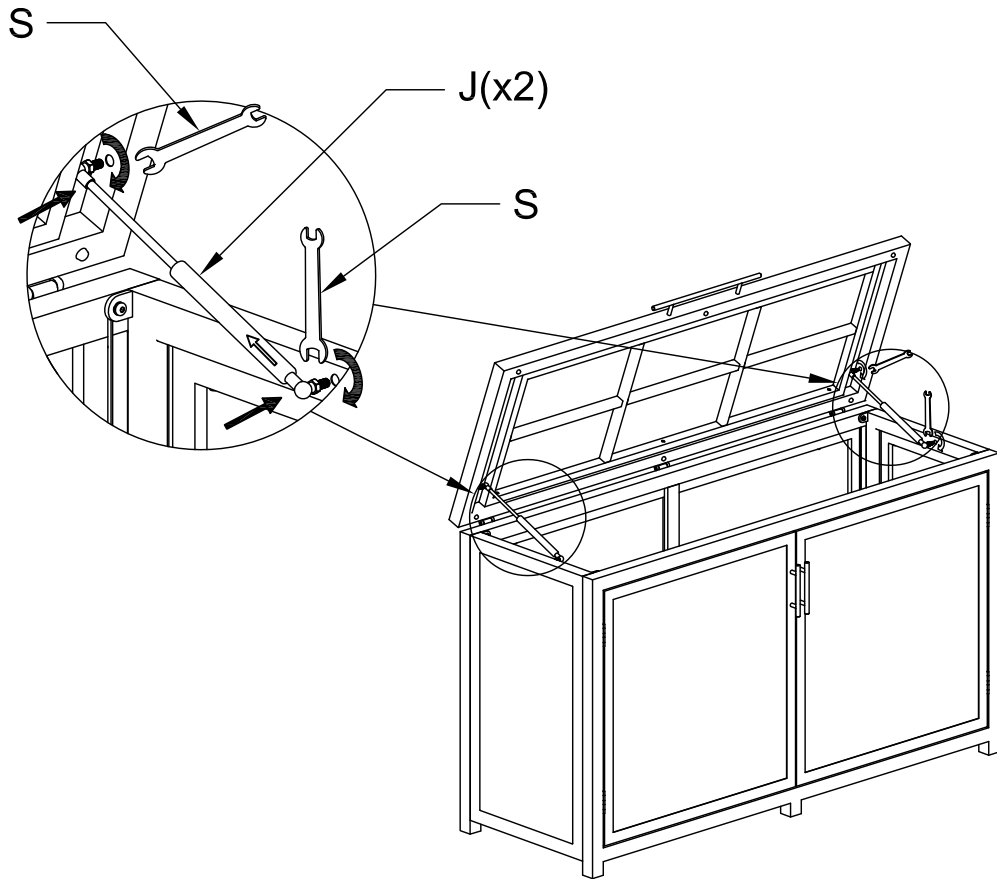
7



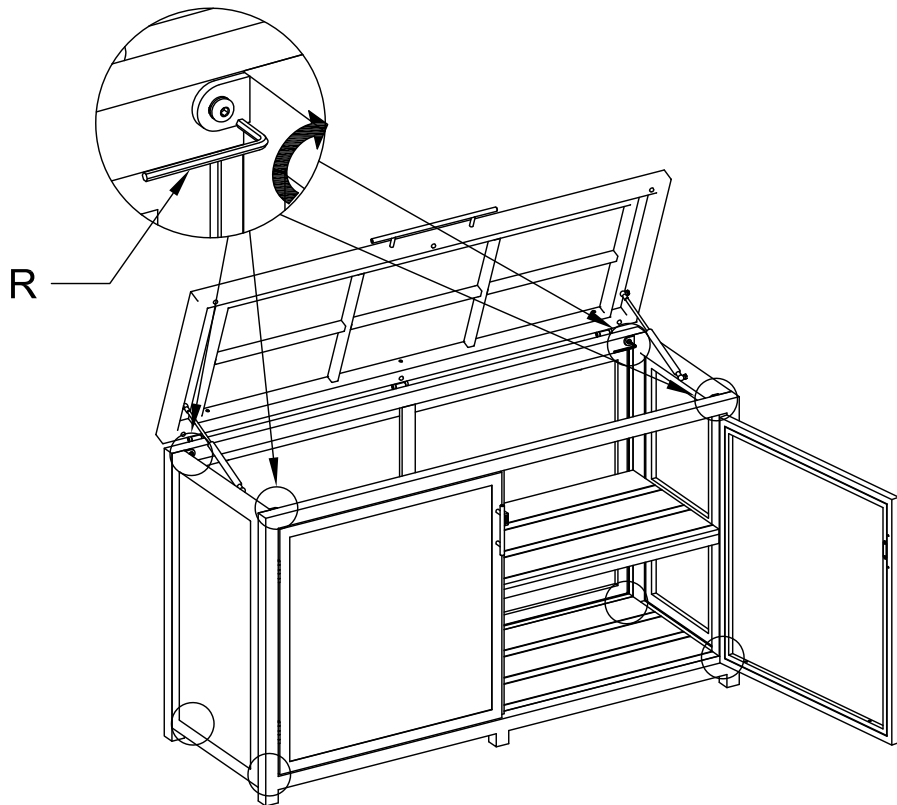
8



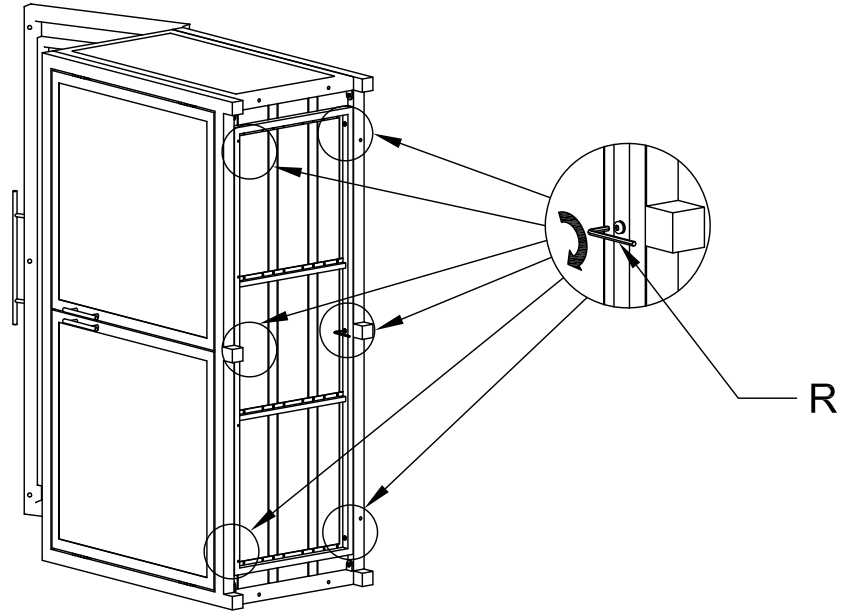
9



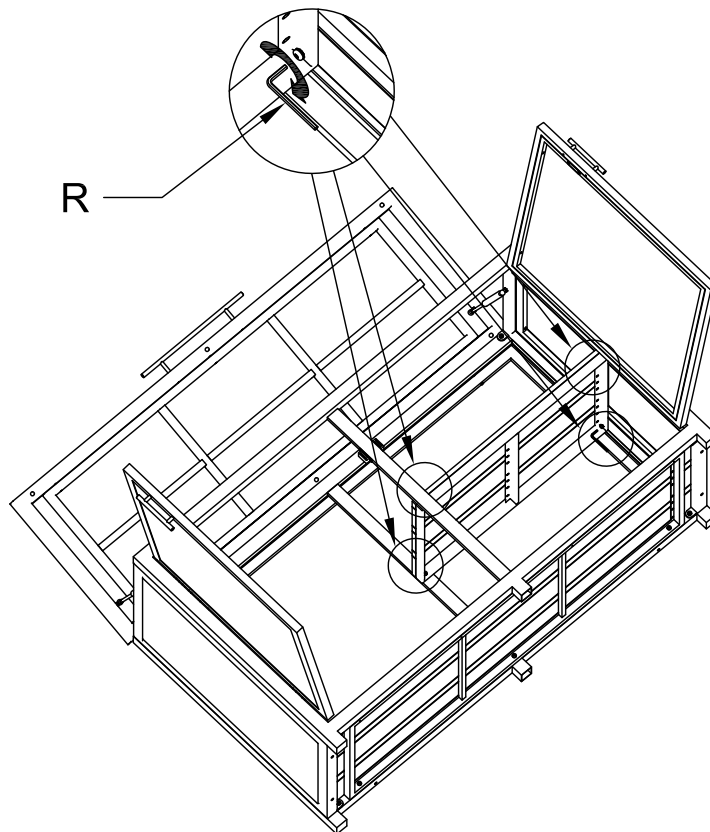
10



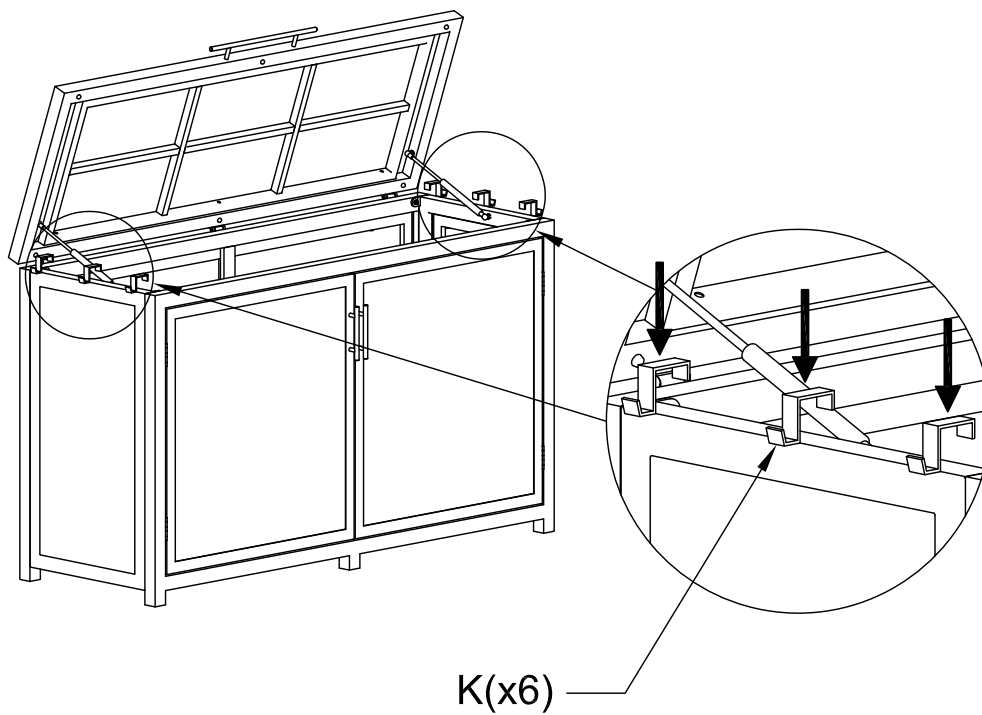
11



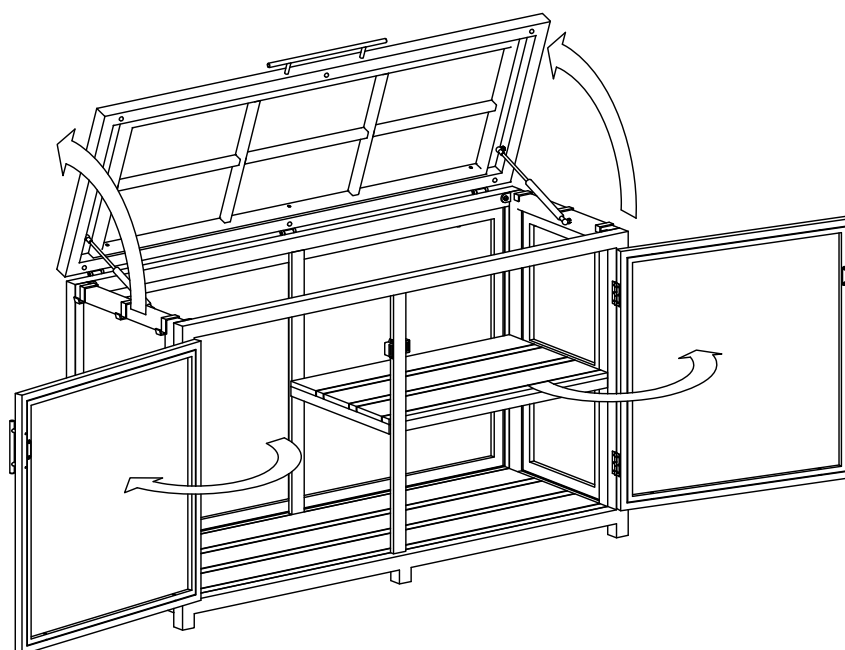
12



13



14



Infinitree

UNIQUE. OUTDOOR. LIVING.

CARE & MAINTENANCE OF YOUR FURNITURE & ACCESSORIES

Our products have been made to the highest quality standards and will provide years of trouble-free use. These guidelines will help you to keep your Infinitree products looking like new.

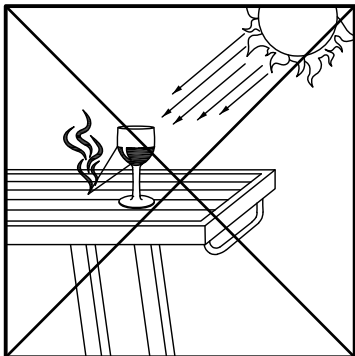
CARING FOR ALUMINUM FRAMES:

Frames are powder coated for durability. Wash with a mild detergent & warm water before rinsing with clean water and drying thoroughly. A clear car-wax may be used for extra protection against UV rays and/or coastal salt-air. Please test this on an unseen area of the frame before applying widely.

CARING FOR WICKER & FAUX-WOOD COMPONENTS:

These components are made of durable synthetic materials that can be washed with a solution of mild detergent and warm water. Use a soft bristle brush to gently clean the material before rinsing with fresh clean water and drying thoroughly.

- DO NOT leave spills on the items, clean spills immediately.
- DO NOT leave wine glasses unattended on table surfaces. The curvature of some glasses can act as a magnifying glass for the sun's rays, damaging the table surface.



- DO NOT allow chemicals to interact with the product. Some sunscreens contain ingredients that may discolor your furniture. Do not use chemicals, acidic cleansers, or any solvents to clean your products.
- WEIGHT CAPACITY. Only our stools and chairs are designed to safely hold your weight. Do not sit/stand-on or misuse items that are not chairs.

FOR MORE CARE TIPS & WARRANTY INFORMATION - VISIT INFINITREEOUTDOORS.COM