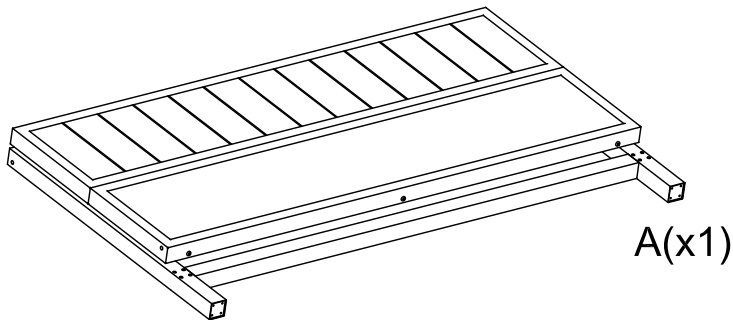
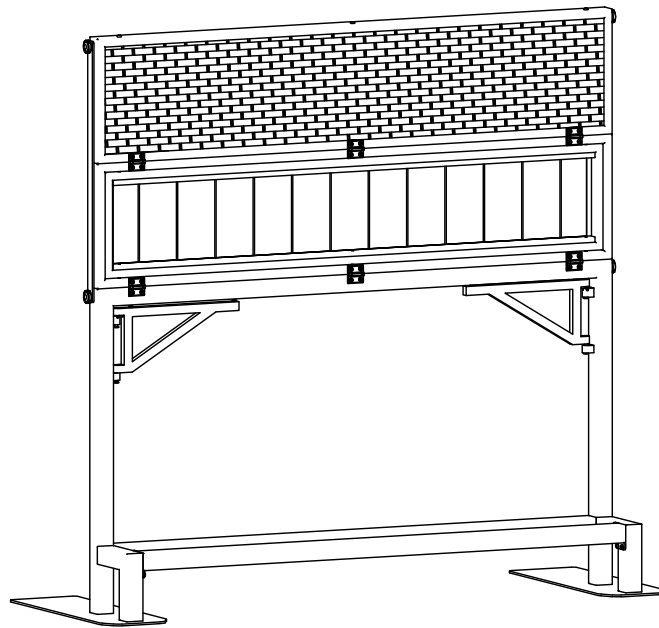


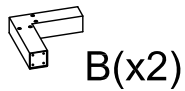
# InfiniTree

UNIQUE. OUTDOOR. LIVING.

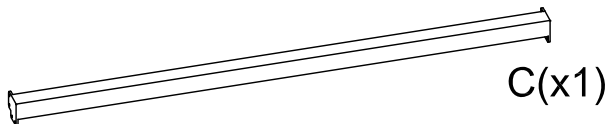
## BANFF SPA SIDE PRIVACY SCREEN/BAR SHELF



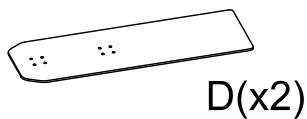
A(x1)



B(x2)



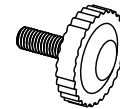
C(x1)



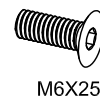
D(x2)



E(x2)



F(x4)



M6X25

G(x16)



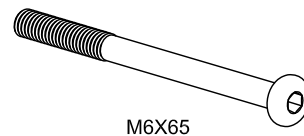
A(x1)

H(x16)



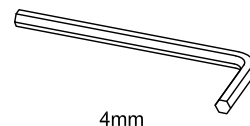
M6X20

I(x8)



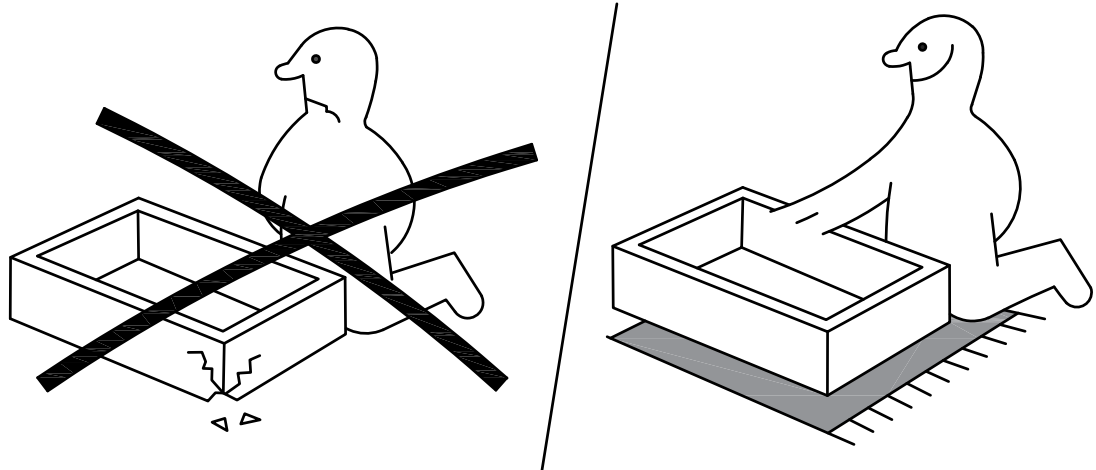
M6X65

J(x8)

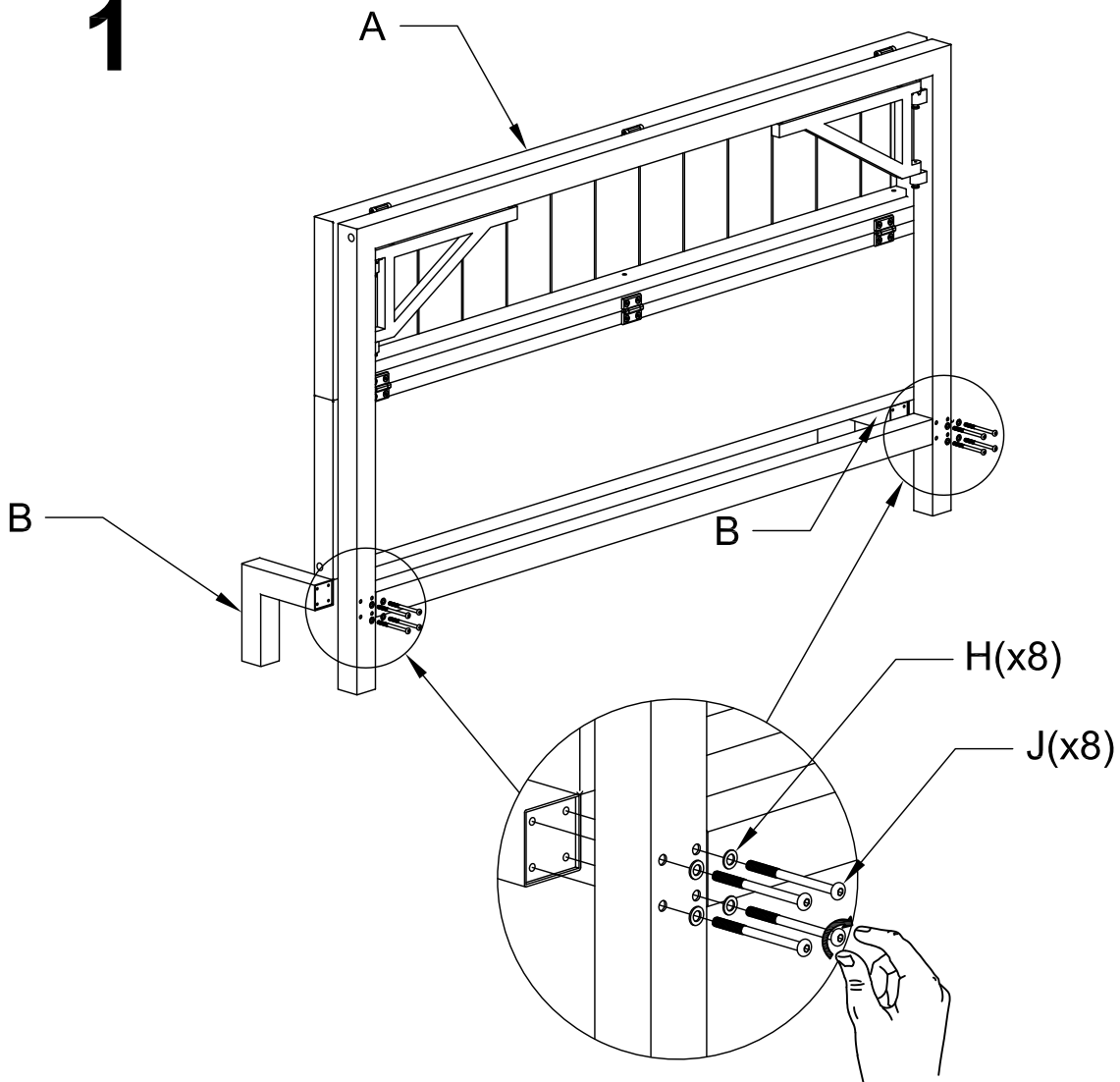


4mm

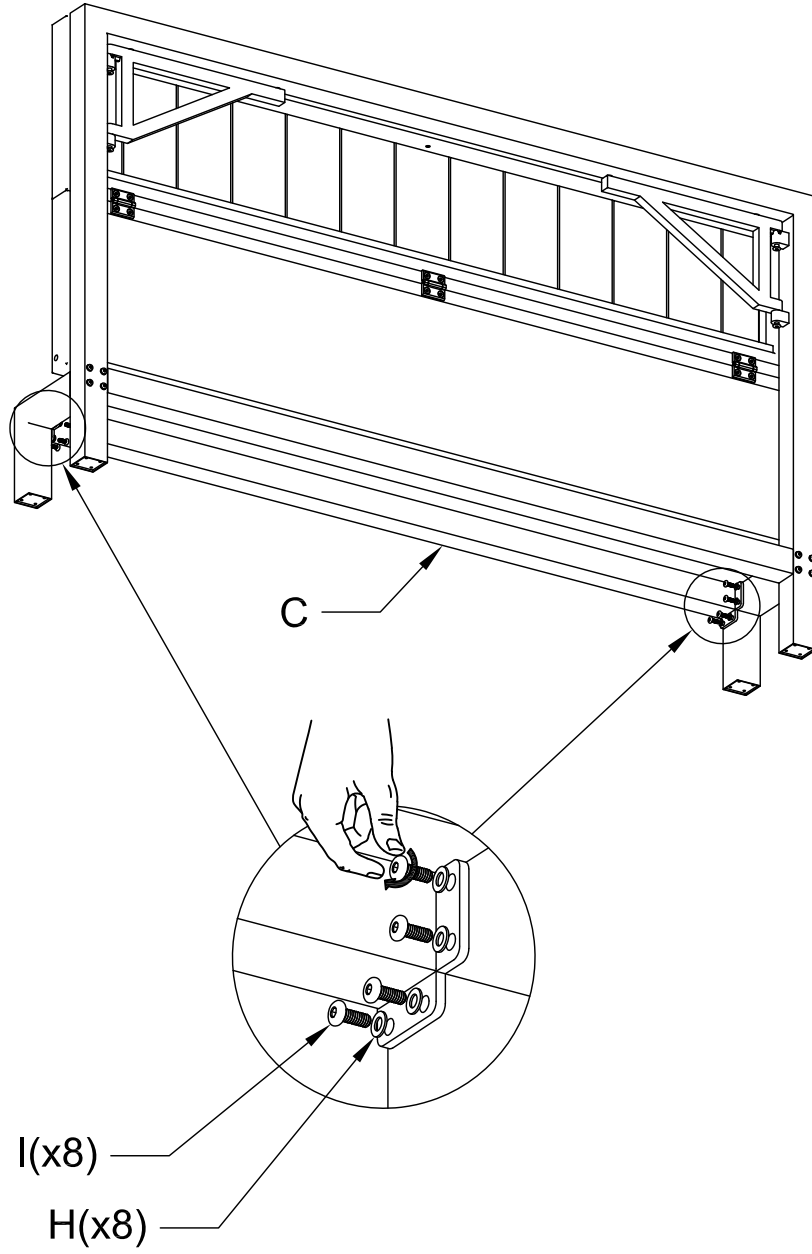
K(x1)



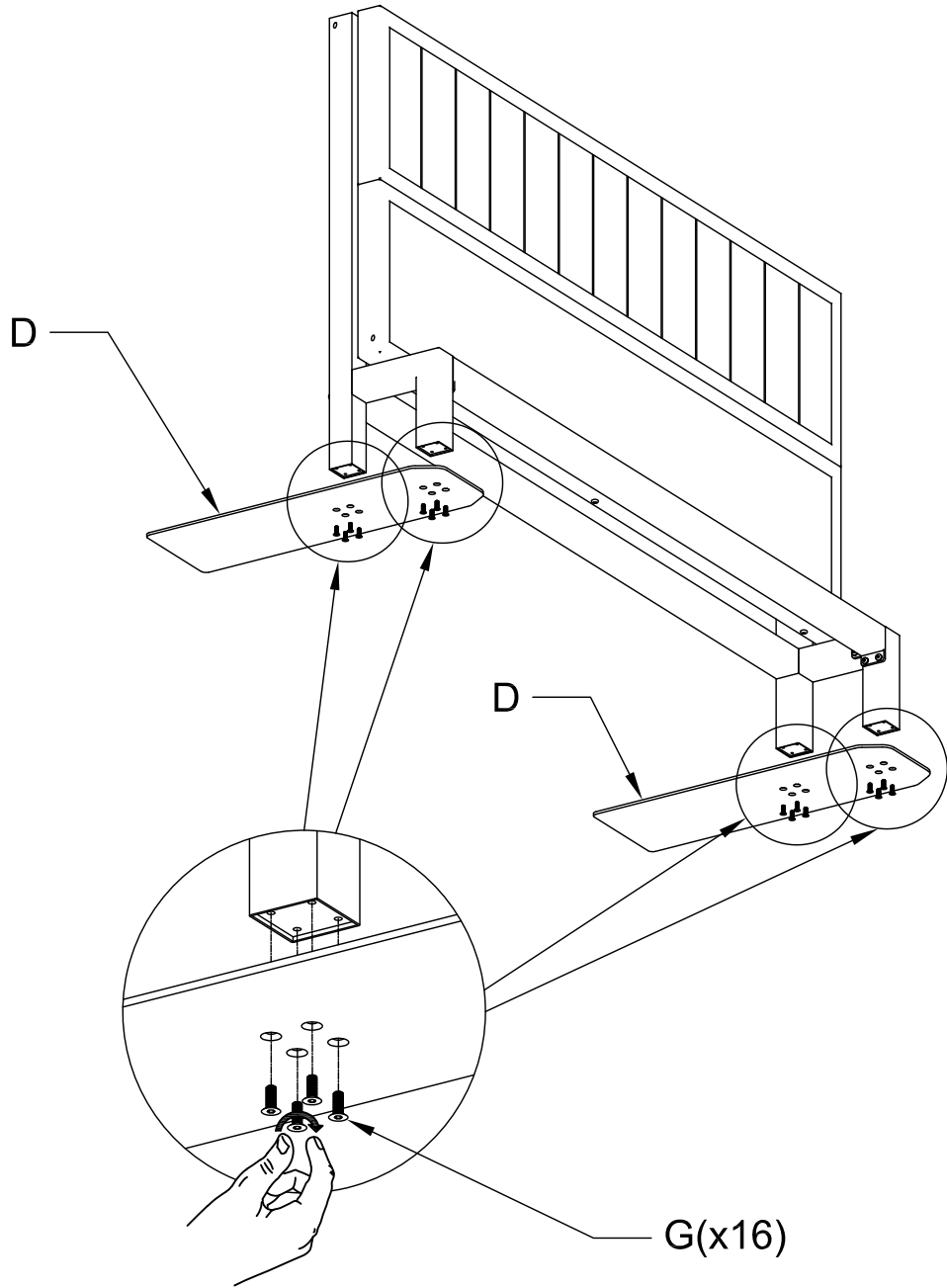
1



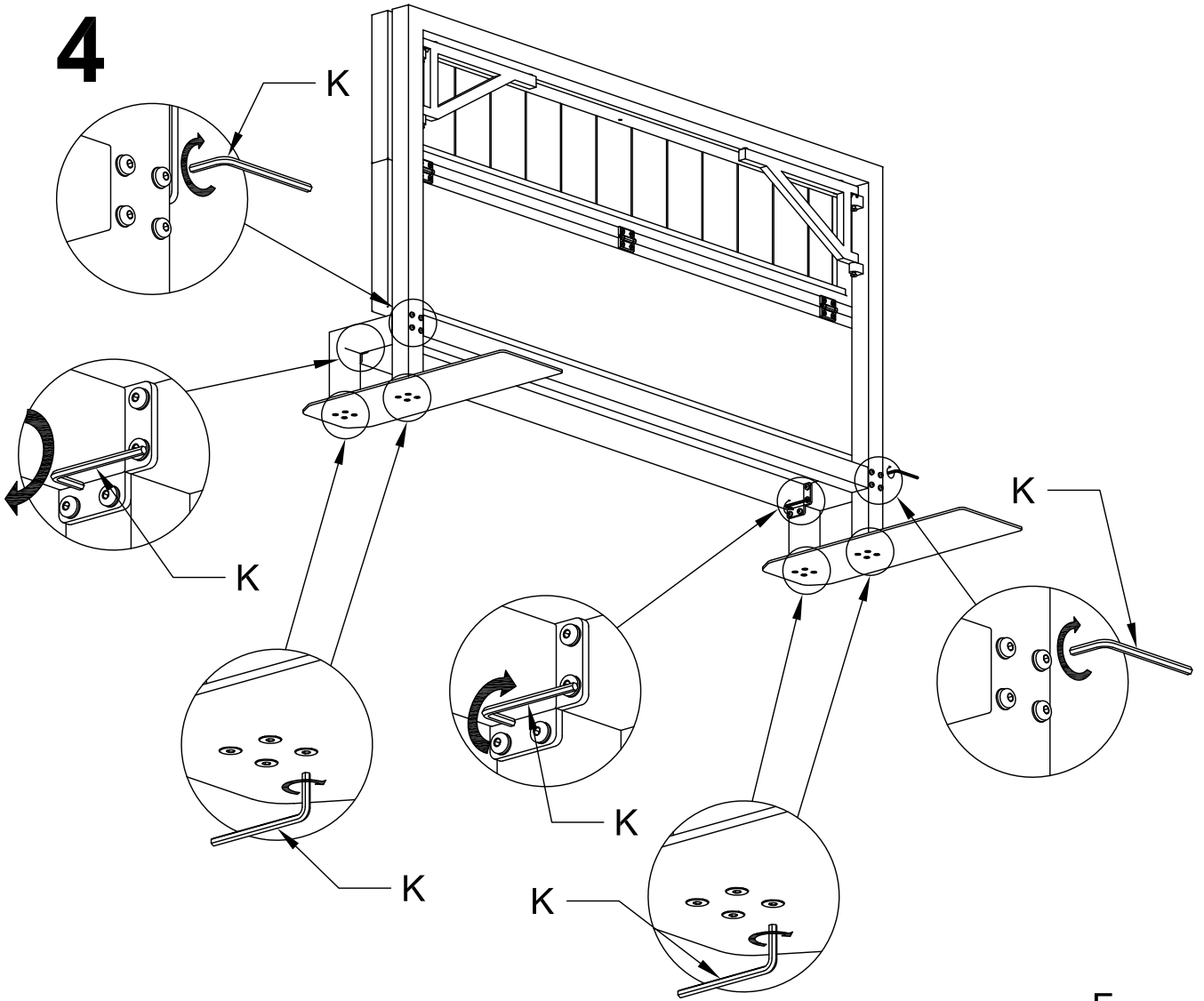
2



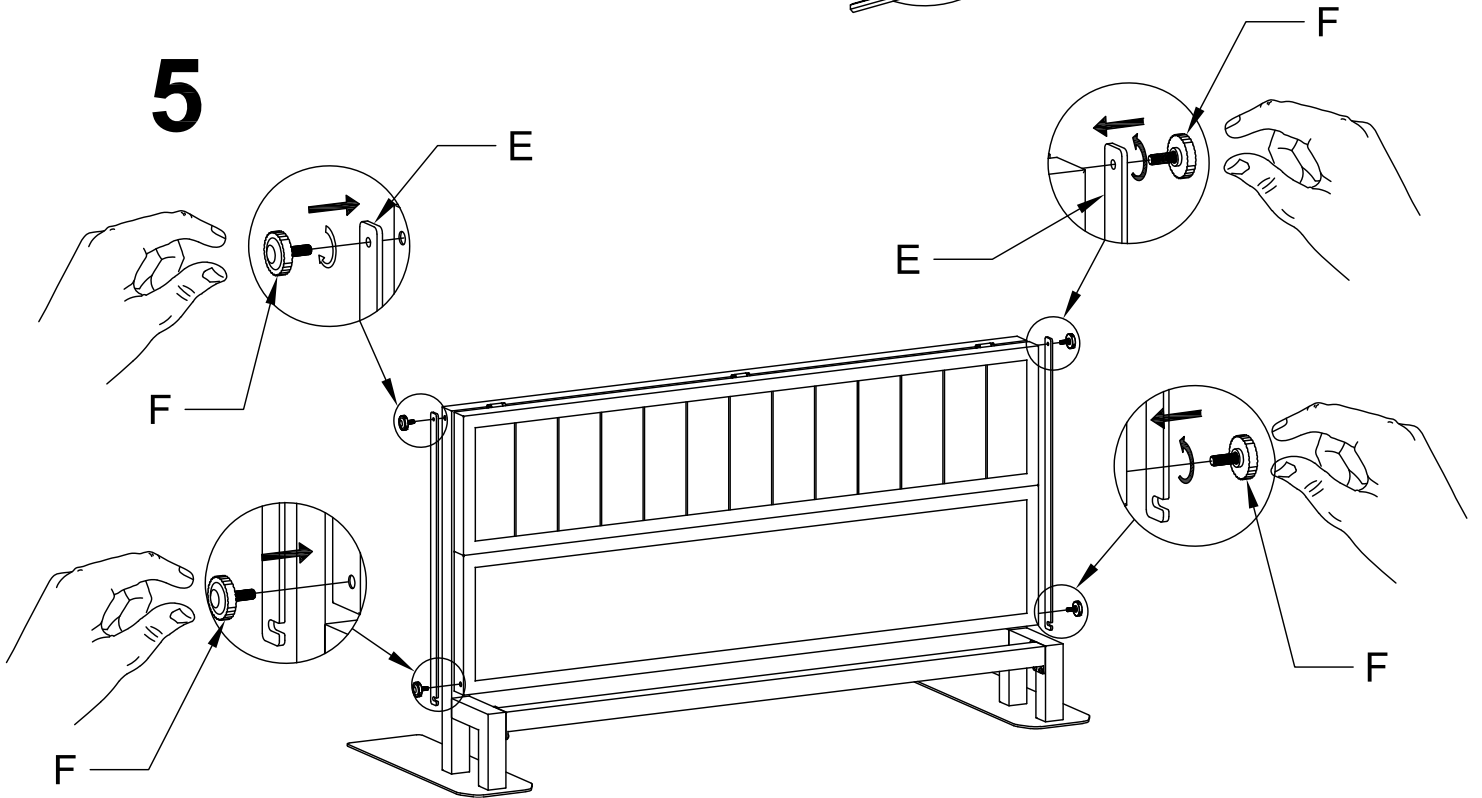
3



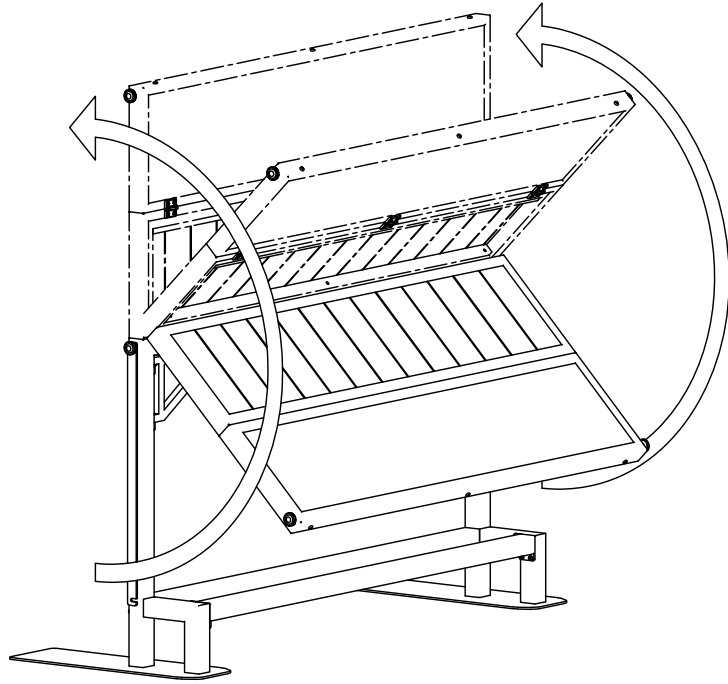
**4**



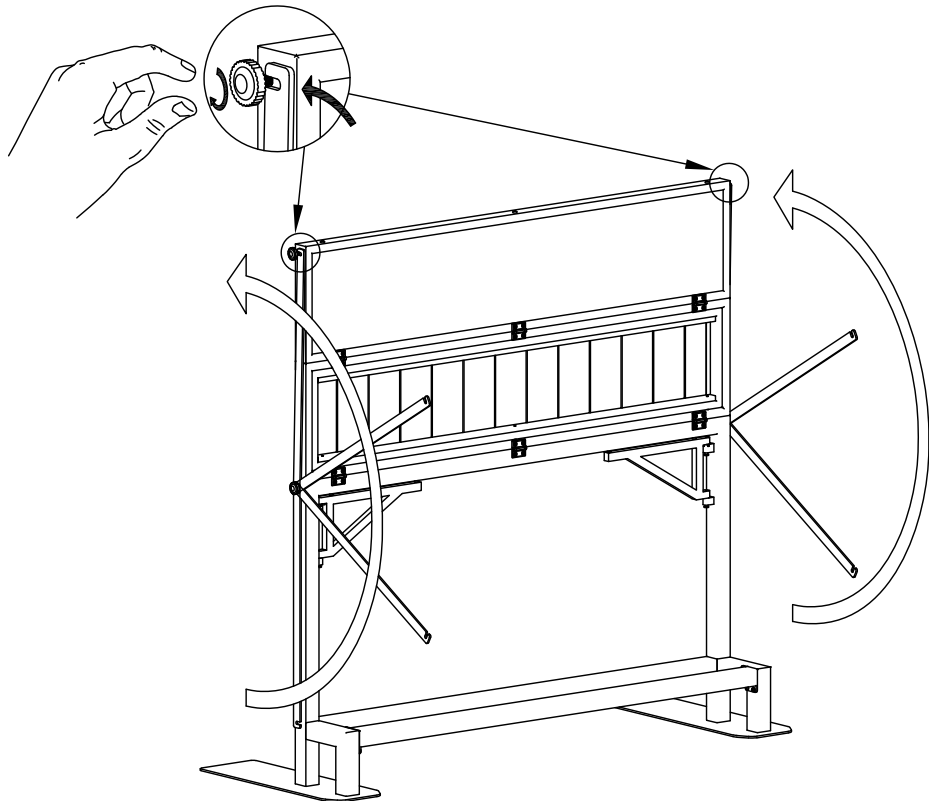
**5**



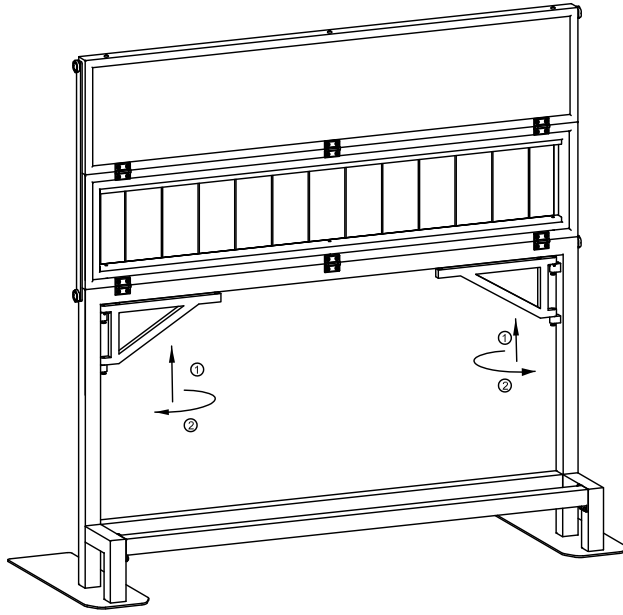
6



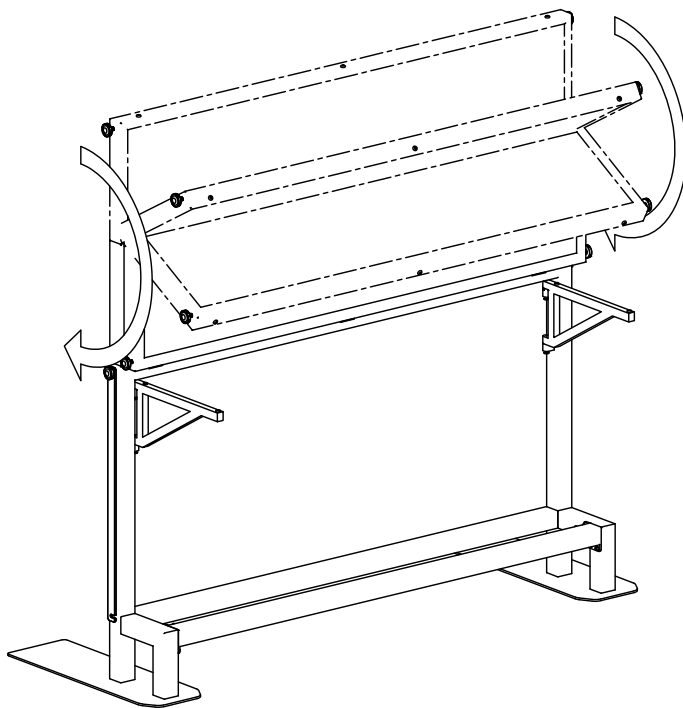
7



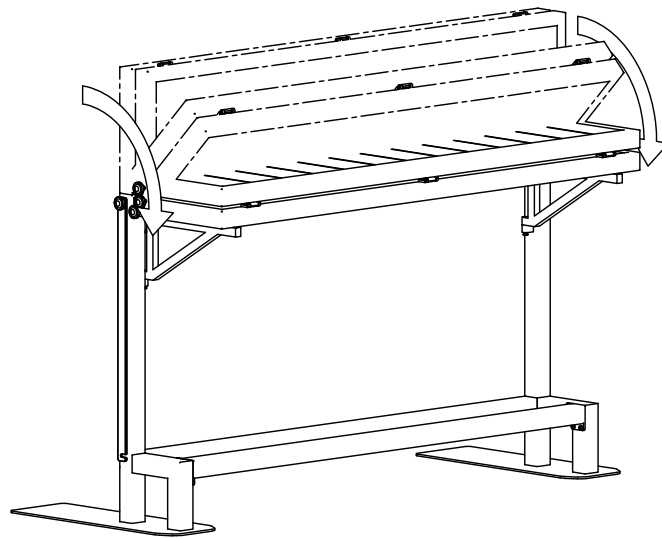
8



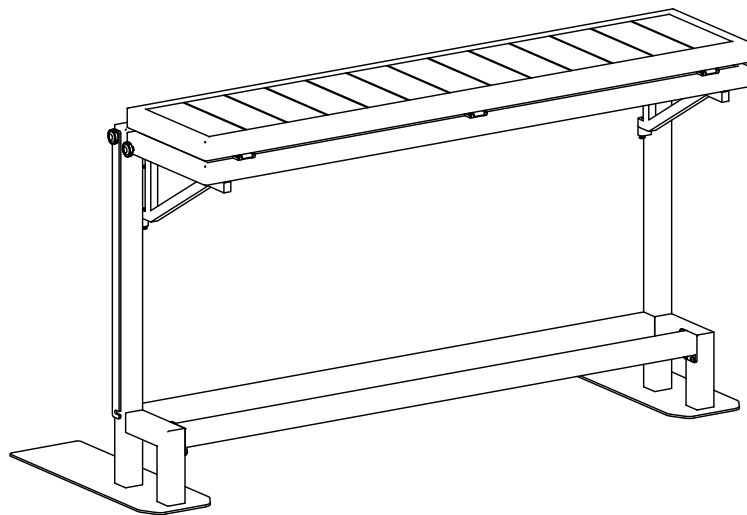
9



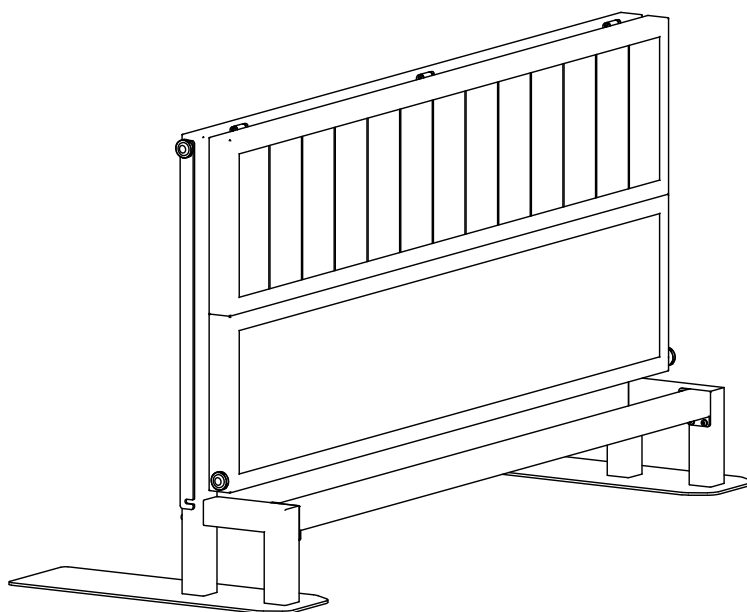
10



11



12





# Infinitree

UNIQUE. OUTDOOR. LIVING.

## CARE & MAINTENANCE OF YOUR FURNITURE & ACCESSORIES

Our products have been made to the highest quality standards and will provide years of trouble-free use. These guidelines will help you to keep your Infinitree products looking like new.

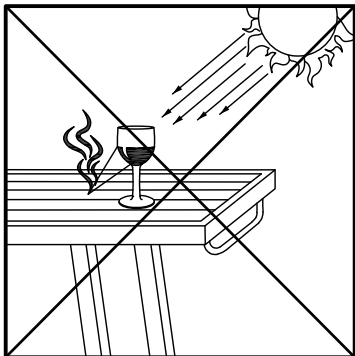
### CARING FOR ALUMINUM FRAMES:

Frames are powder coated for durability. Wash with a mild detergent & warm water before rinsing with clean water and drying thoroughly. A clear car-wax may be used for extra protection against UV rays and/or coastal salt-air. Please test this on an unseen area of the frame before applying widely.

### CARING FOR WICKER & FAUX-WOOD COMPONENTS:

These components are made of durable synthetic materials that can be washed with a solution of mild detergent and warm water. Use a soft bristle brush to gently clean the material before rinsing with fresh clean water and drying thoroughly.

- DO NOT leave spills on the items, clean spills immediately.
- DO NOT leave wine glasses unattended on table surfaces. The curvature of some glasses can act as a magnifying glass for the sun's rays, damaging the table surface.



- DO NOT allow chemicals to interact with the product. Some sunscreens contain ingredients that may discolor your furniture. Do not use chemicals, acidic cleansers, or any solvents to clean your products.
- WEIGHT CAPACITY. Only our stools and chairs are designed to safely hold your weight. Do not sit/stand-on or misuse items that are not chairs.

*FOR MORE CARE TIPS & WARRANTY INFORMATION - VISIT [INFINITREEOUTDOORS.COM](http://INFINITREEOUTDOORS.COM)*