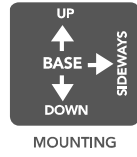
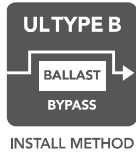


BOLLARD RETROFITS 360° OMNI DIRECTIONAL DESIGN



bright & compact



- Available in 14W, 18W & 24W models replacing up to 150W HID.
- Multi-directional mounting capability & 360° design. Use base down, base up or base sideways without affecting performance.
- Pretested & potted drivers are burnt in 3x prior to shipping and protected against vibration & moisture.
- Expertly engineered to work efficiently in enclosed fixtures & damp environments, while also protected against insects & dust.
- Dual stage MOV protection with integrated 6kA surge.
- USA designed & specified LED driver.

PART #	UPC	REPLACES	WATTAGE	LUMENS	CCT (K)*	BASE	DLC PRODUCT CODE
LED-8038E57-A	844006082970	70W	14W	2217	5700K	E26	N/A
LED-8039E57-A	844006080488	100W	18W	2465	5700K	E26	N/A
LED-8039M57-A	844006084394	100W	18W	2465	5700K	EX39	PVNFJNV1
LED-8029E57-A	844006080297	150W	24W	3425	5700K	E26	N/A
LED-8029M57-A	844006081560	150W	24W	3374	5700K	EX39	P17Z7EQS

* See page 2 for additional color temperatures.

** See page 2 for 347 volt options for Canada. 🇨🇦

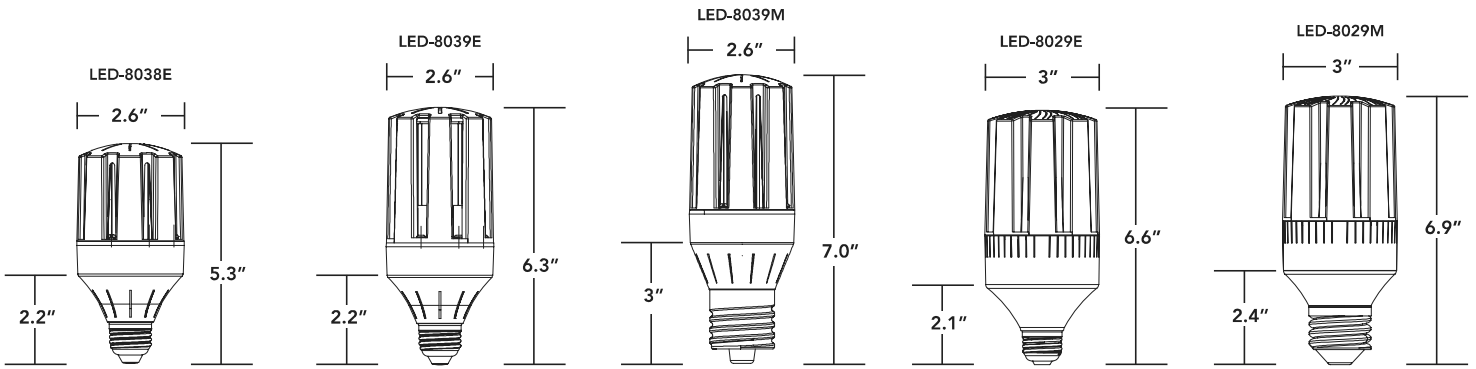


RemPhos®

FOR PRODUCT INFO ("LED" MODEL #) CONTACT.....Light Efficient Design • 188 S. Northwest Highway • Cary, IL 60013 • 847.380.3540 • led-llc.com
 FOR PRODUCT INFO ("RP" MODEL #) CONTACT.....RemPhos by Light Efficient Design • 30 Log Bridge Road, Building 200 • Middleton, MA 01949 • 877.997.3674 • remphos.com

10.17.18 Information is subject to change without notice.

BOLLARD RETROFITS 360° OMNI DIRECTIONAL DESIGN



ORDERING GUIDE

PART #	UPC	REPLACES	WATTAGE	LUMENS	CCT (K)	BASE	DLC PRODUCT CODE
LED-8038E30-A	844006082956	70W HID	14W	1840	3000K	E26	N/A
LED-8038E40-A	844006082963	70W HID	14W	2065	4000K	E26	N/A
LED-8038E57-A	844006082970	70W HID	14W	2217	5700K	E26	N/A
LED-8039E30-A	844006080495	100W HID	18W	2758	3000K	E26	N/A
LED-8039E40-A	844006080648	100W HID	18W	2983	4000K	E26	N/A
LED-8039E57-A	844006080488	100W HID	18W	2465	5700K	E26	N/A
LED-8039M30-A	844006084356	100W HID	18W	2758	3000K	EX39	PN8CHYH1
LED-8039M40-A	844006084370	100W HID	18W	2983	4000K	EX39	P19GGI2F
LED-8039M57-A	844006084394	100W HID	18W	2465	5700K	EX39	PVNFJNV1
LED-8029E30-A	844006080396	150W HID	24W	3024	3000K	E26	N/A
LED-8029E40-A	844006080631	150W HID	24W	3422	4000K	E26	N/A
LED-8029E57-A	844006080297	150W HID	24W	3425	5700K	E26	N/A
LED-8029M30-A	844006081546	150W HID	24W	3431	3000K	EX39	PAKDVMFU
LED-8029M40-A	844006081553	150W HID	24W	3374	4000K	EX39	PN6Y8ECX
LED-8029M57-A	844006081560	150W HID	24W	3374	5700K	EX39	P17Z7EQS

347 VOLT OPTIONS FOR CANADA

PART #	UPC	REPLACES	WATTAGE	LUMENS	CCT (K)	BASE	DLC PRODUCT CODE
LED-8038E30C-A	844006082987	70W HID	14W	1789	3000K	E26	N/A
LED-8038E40C-A	844006082994	70W HID	14W	2037	4000K	E26	N/A
LED-8038E57C-A	844006083007	70W HID	14W	2155	5700K	E26	N/A
LED-8039E30C-A	844006082550	100W HID	18W	2919	3000K	E26	N/A
LED-8039E40C-A	844006082567	100W HID	18W	3053	4000K	E26	N/A
LED-8039E57C-A	844006082574	100W HID	18W	2695	5700K	E26	N/A
LED-8039M30C-A	844006084363	100W HID	18W	2919	3000K	EX39	PDYQHD1W
LED-8039M40C-A	844006084387	100W HID	18W	3053	4000K	EX39	PVLHXS0K
LED-8039M57C-A	844006084400	100W HID	18W	2695	5700K	EX39	P2NOX14J
LED-8029E30C-A	844006080952	150W HID	24W	3099	3000K	E26	N/A
LED-8029E40C-A	844006080969	150W HID	24W	3568	4000K	E26	N/A
LED-8029E57C-A	844006080976	150W HID	24W	3426	5700K	E26	N/A
LED-8029M30C-A	844006081721	150W HID	24W	3129	3000K	EX39	P76RARZA
LED-8029M40C-A	844006081714	150W HID	24W	3405	4000K	EX39	PN4K3SC8
LED-8029M57C-A	844006081707	150W HID	24W	3165	5700K	EX39	PA216JKT



FOR PRODUCT INFO ("LED" MODEL #) CONTACT.....Light Efficient Design • 188 S. Northwest Highway • Cary, IL 60013 • 847.380.3540 • led-llc.com
 FOR PRODUCT INFO ("RP" MODEL #) CONTACT.....RemPhos by Light Efficient Design • 30 Log Bridge Road, Building 200 • Middleton, MA 01949 • 877.997.3674 • remphos.com

10.17.18 Information is subject to change without notice.