



KT-EMRG-LED-5-500-AC/DF

CONSTANT WATTAGE LED EMERGENCY BACK-UP DRIVER

DESCRIPTION

LED Emergency Back-Up Driver | Dual-Flex Conduit | 5W Output | 120–277V Input



DRIVER TYPE: Constant Wattage LED Emergency
MAX. OUTPUT POWER: 5W
INPUT VOLTAGE: 120–277Vac ±10%
OUTPUT VOLTAGE: 40–300Vdc
OUTPUT CURRENT: Load Dependant
WARRANTY: 5 Years



PRODUCT FEATURES

- Optimized for recessed LED downlight fixtures and retrofit kits, and Keystone DirectDrive compact lamps. Contact Keystone for details on functioning with other LED products
- Illuminates entire LED load at reduced output under emergency mode
- One-piece design with metal housing
- 2-in-1 LED test switch and indicator light included
- Dual-flex conduit fits into 1/2" knockouts
- Not for use with dimmers
- Evaluated to UL 924 requirements
- 90-minute operation in emergency mode
- UL listed
- Operating temperature: 0°C/32°F to 50°C/122°F
- Input frequency: 50/60 Hz
- Maximum load: 50W
- Li(NiCoMn)O₂ battery

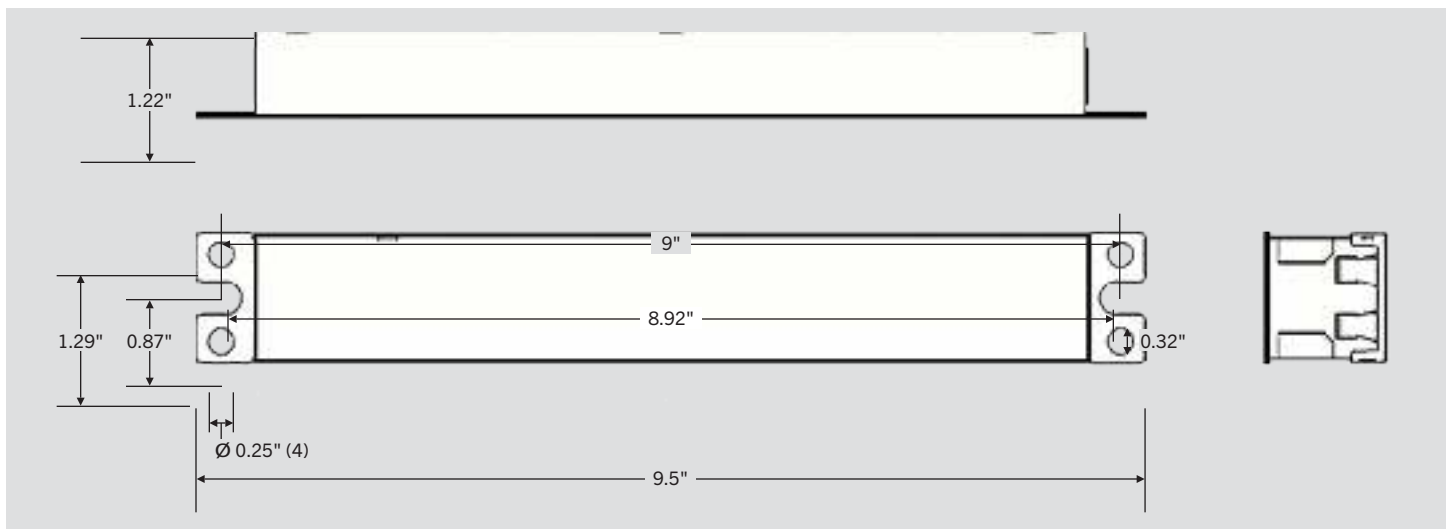
Emergency pack does not meet CEC T20 requirements. Not to be sold or offered for sale in California, except when sold wholesale in California for final retail sale outside the state.

ELECTRICAL SPECIFICATIONS

Family	INPUT CHARACTERISTICS			OUTPUT CHARACTERISTICS			
	Input Voltage	Power Factor	Max. Current	Max. Output Power	Rated Output Current	Output Voltage	LED Module Included
5W	120–277Vac	≥ 0.35	100mA @120V	5W	Load Dependent	40–300Vdc	No

EMERGENCY PACK DESIGNED TO DELIVER 5W TO A CONSTANT CURRENT LED LOAD. APPROXIMATE OUTPUT IS 500 LUMENS, ASSUMING A NOMINAL MINIMUM EFFICACY OF 100LM/W.

PHYSICAL SPECIFICATIONS

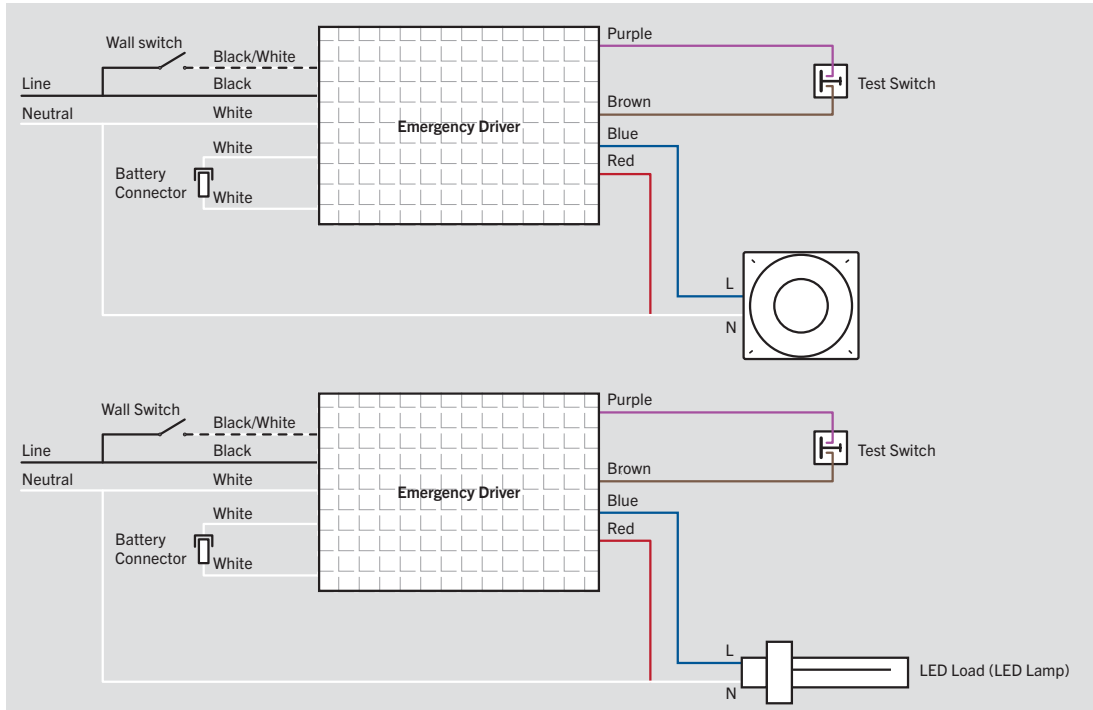




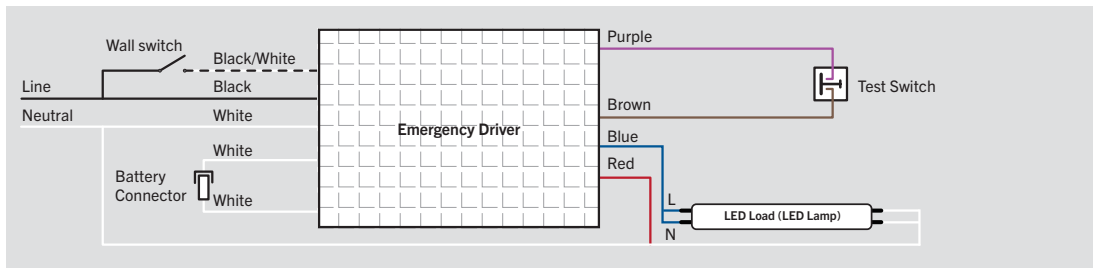
KT-EMRG-LED-5-500-AC/DF

CONSTANT WATTAGE LED EMERGENCY BACK-UP DRIVER

WIRING DIAGRAM



Wiring for Double Ended Lamps



ORDERING INFORMATION

ORDER CODE	DESCRIPTION	PACKAGING STYLE	PACK QTY.	ITEM STATUS
KT-EMRG-LED-5-500-AC/DF	1-Piece LED Emergency Back Up with Dual-Flex Conduit	Individually Packaged	1	Active

CATALOG NUMBER BREAKDOWN

KT-EMRG-LED-5-500-AC/DF

1 **2** **3** **4** **5** **6** **7**

- 1** Keystone Technologies
- 2** Emergency Back-Up Driver
- 3** LED Driver
- 4** Wattage Family
- 5** Nominal Lumen Output
- 6** Alternating Current
- 7** Dual-Flex