



KT-EMRG-LED-12-1200-AC /DF

CONSTANT WATTAGE LED EMERGENCY BACK-UP DRIVER

DESCRIPTION

LED Emergency Back-Up Driver | Dual Flex output | 120 - 277V input



RoHS Compliant

5 YEAR WARRANTY

DRIVER TYPE: Constant Wattage LED Emergency
MAX. OUTPUT POWER: 12W
INPUT VOLTAGE: 120–277Vac ±10%
OUTPUT VOLTAGE: 40–100Vdc
OUTPUT CURRENT: Load Dependent
WARRANTY: 5 Years



PRODUCT FEATURES

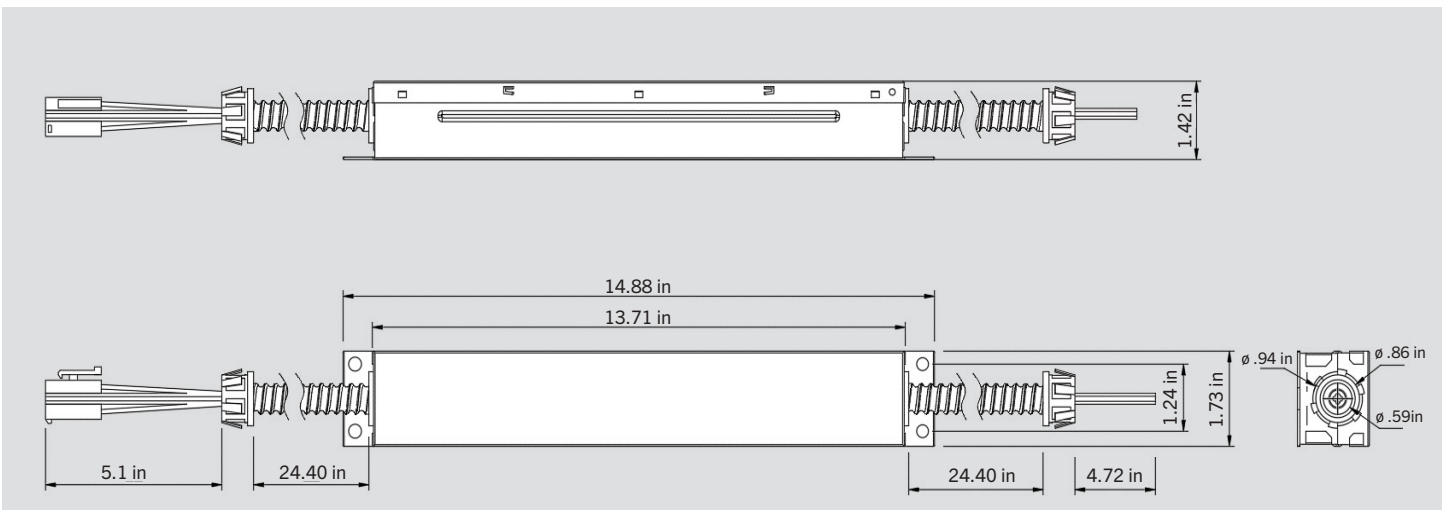
- Optimized for Keystone direct drive LED tubes.
Contact Keystone for details on functioning with other Type B LED tubes
- Illuminates entire LED load at reduced output under emergency mode
- One-piece design with metal housing
- 2-in-1 LED test switch and indicator light included
- Not for use with dimmers
- Evaluated to UL 924 requirements
- 90-minute operation in emergency mode
- UL listed
- Operating temperature: 0°C/32°F to 50°C/122°F
- Input frequency: 50/60 Hz
- Safety Standard: UL 924, Complies with CEC Title 20 Efficiency Standards
- Dual-flex conduit fits into 1/2" knockouts

ELECTRICAL SPECIFICATIONS

Family	INPUT CHARACTERISTICS			OUTPUT CHARACTERISTICS			
	Input Voltage	Power Factor	Max. Current	Max. Output Power	Rated Output Current	Output Voltage	Output Current
12W	120–277Vac	≥ 0.35	100mA @120V	10–12W	Load Dependent	40–100Vdc	200–750mA

Emergency pack designed to deliver 12W to a constant current LED load. Approximate output is 1200 lumens, assuming a nominal minimum efficacy of 100lm/W.

PHYSICAL SPECIFICATIONS

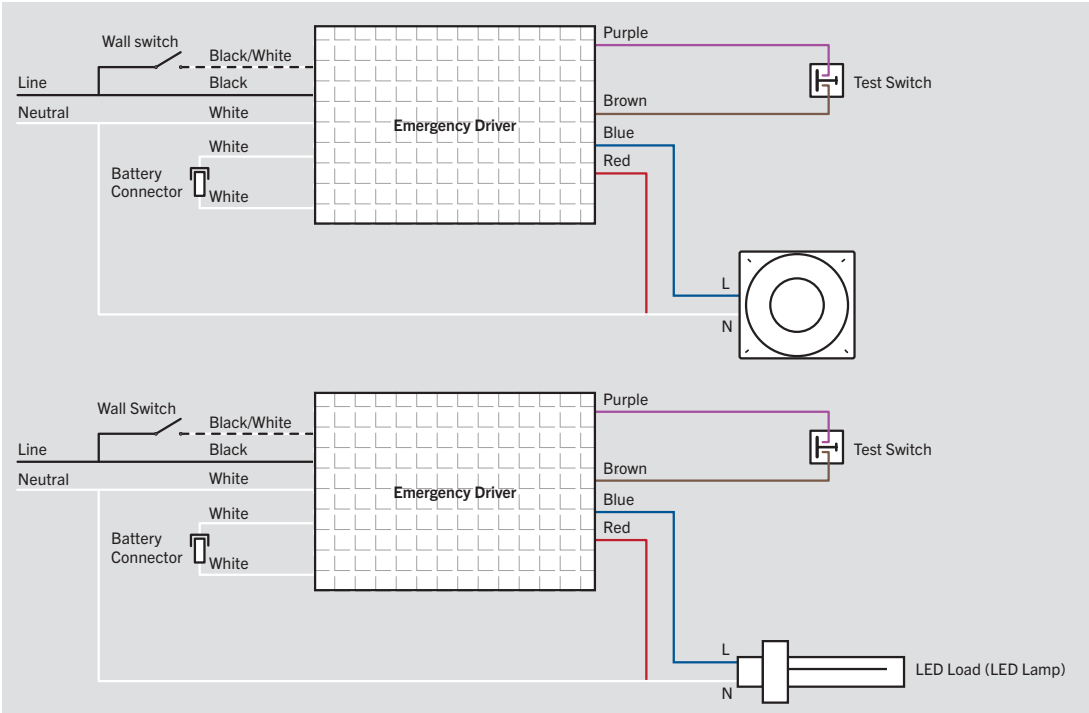




KT-EMRG-LED-12-1200-AC /DF

CONSTANT WATTAGE LED EMERGENCY BACK-UP DRIVER

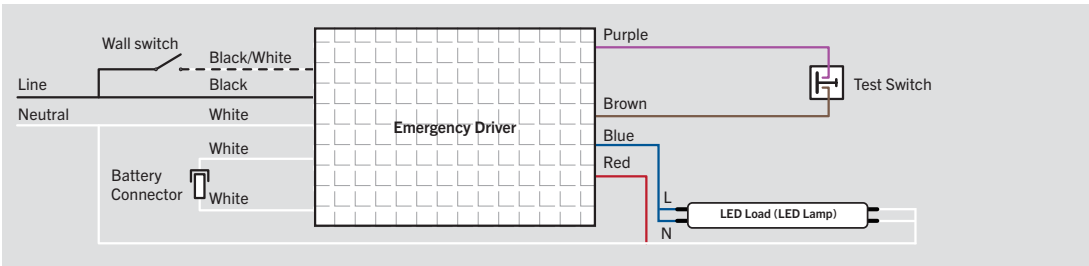
WIRING DIAGRAM



WIRE SPECIFICATIONS

Wire Color	Wire Length	
	mm	Inches
Black/White	760 mm	29.92"
Black	760 mm	29.92"
White	760 mm	29.92"
Purple	760 mm	29.92"
Brown	760 mm	29.92"
White	760 mm	29.92"
White	760 mm	29.92"
Blue	760 mm	29.92"
Red	760 mm	29.92"

Wiring for Double Ended Lamps



ORDERING INFORMATION

ORDER CODE	PACK QTY.	EASY CODE	UPC
KT-EMRG-LED-12-1200-AC /DF	1	MPM-43	843654139890

CATALOG NUMBER BREAKDOWN

KT-EMRG-LED-12-1200-AC /DF

1
2
3
4
5
6
7

- 1** Keystone Technologies
- 2** Emergency Back-Up Driver
- 3** LED Driver
- 4** Wattage Family
- 5** Nominal Lumen Output
- 6** Alternating Current
- 7** Dual Flex