



KTEB-2C72-1-TP

T8 ELECTRONIC BALLAST

DESCRIPTION

2 x F32T8 | 120V | Normal Power Factor | Rapid Start



STARTING METHOD: Rapid Start
LAMP CONNECTION: Parallel
INPUT VOLTAGE: 120VAC ±10%
INPUT FREQUENCY: 60/50 Hz
POWER FACTOR: Normal
WARRANTY: 3 Years



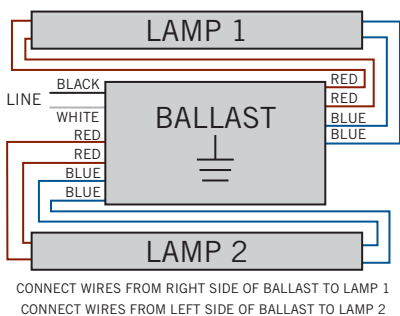
PRODUCT FEATURES

- Sound Rated: A
- Minimum Starting Temperature: 0°F, -18°C
- Maximum Case Temperature: 167°F, 75°C
- Meets FCC Part 18 (Class B) Consumer Limits
- Transient Protection Meets ANSI/IEEE C62.41 Cat. A
- Ballast Frequency for All Listed Lamps: 20KHz-33KHz
- Lamp End-of-Life Protected

ELECTRICAL SPECIFICATIONS

LAMP TYPE	NO. OF LAMPS	INPUT VOLTS	INPUT WATTS	INPUT CURRENT (AMPS)	POWER FACTOR	CREST FACTOR	BALLAST FACTOR	BALLAST EFFICACY FACTOR	MAX THD
F32T8	2	120	62	0.89	0.58	0.58	0.90	1.45	130
	1	120	33	0.53	0.52	1.40	0.90	2.73	130
F25T8	2	120	47	0.70	0.55	1.55	0.95	2.02	150
	1	120	24	0.42	0.49	1.47	0.95	3.96	150
F17T8	2	120	36	0.57	0.53	1.55	0.95	2.64	160
	1	120	19	0.34	0.46	1.61	0.95	5.00	160
F15T8	2	120	29	0.48	0.50	1.69	0.95	3.28	160
	1	120	15	0.29	0.45	1.55	0.95	6.33	160

WIRING DIAGRAM



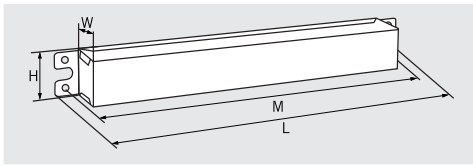


KTEB-2C72-1-TP

T8 ELECTRONIC BALLAST

MECHANICAL SPECIFICATIONS

CASE DIMENSIONS



LENGTH	6.46"
WIDTH	1.89"
HEIGHT	1.00"
MOUNTING	6.00"

STANDARD LEAD LENGTHS*

BLACK	20"
WHITE	20"
BLUE	32"
RED	48"

*Consult Keystone for special lead length requirements.

ORDERING INFORMATION

ORDER CODE	PACKAGING STYLE	PACK QTY.	ITEM STATUS
KTEB-2C72-1-TP-CP	Carton Pack	Pending	Active
KTEB-2C72-1-TP-BP	Bulk Pack	Pending	Active

CATALOG NUMBER BREAKDOWN

KTEB-2C72-1-TP-CP

