



KTEB-218-1-TP

COMPACT FLUORESCENT BALLAST



DESCRIPTION

2 x 18W CFL | 120V | Normal Power Factor

STARTING METHOD: Rapid
LAMP CONNECTION: Series
INPUT VOLTAGE: 120VAC ±10%
INPUT FREQUENCY: 60 Hz
BALLAST FACTOR (LIGHT OUTPUT): Normal
WARRANTY: 5 Years



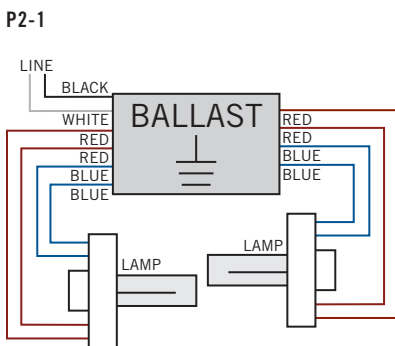
PRODUCT FEATURES

- Sound Rated: A
- Minimum Starting Temperature: 0°F, -18°C
- Maximum Case Temperature: 167°F, 75°C
- Meets FCC Part 18 (Class B) Consumer Limits
- Transient Protection Meets ANSI/IEEE C62.41 Cat. A
- Ballast Frequency for All Listed Lamps: 20KHz-30KHz
- Lamp End-of-Life Protected

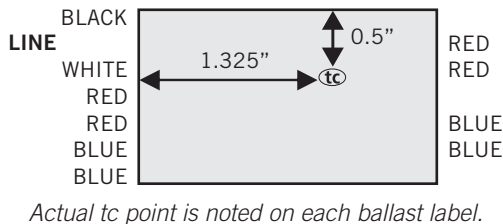
ELECTRICAL SPECIFICATIONS

Lamp Type	No. of Lamps	Input Volts	Input Watts	Input Current	Power Factor	Crest Factor	Ballast Factor	Ballast Efficacy Factor	Max THD
CFQ18WG24q	2	120V	38W	0.59A	0.54	1.57	0.95	2.50	150%

WIRING DIAGRAM



HOT SPOT LOCATION



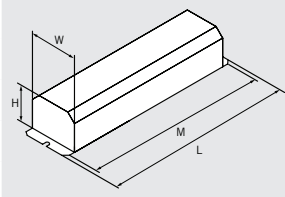


KTEB-218-1-TP

COMPACT FLUORESCENT BALLAST

PHYSICAL SPECIFICATIONS

CASE DIMENSIONS



LENGTH	6.46"
WIDTH	1.86"
HEIGHT	0.94"
MOUNTING	6.00"
CASE STYLE	C6

STANDARD LEAD LENGTHS*

BLACK	12"
WHITE	12"
BLUE	9"
RED	9"

*Consult Keystone for special lead length requirements.

ORDERING INFORMATION

ORDER CODE	PACKAGING STYLE	PACK QTY.	ITEM STATUS
KTEB-218-1-TP-CP	Carton Pack	TBD	Quick Ship

CATALOG NUMBER BREAKDOWN

KTEB-218-1-TP-CP

Keystone Technologies Electronic Ballast	No. of Lamps	Wattage	120V Input	Thermally Protected	Packaging Style
---	-----------------	---------	---------------	------------------------	--------------------