



KTEB-213-1-TP

T12 ELECTRONIC BALLAST



DESCRIPTION

1 x F13T5 | 120V | Normal Power Factor | Small Plastic Case

STARTING METHOD: Rapid
LAMP CONNECTION: Parallel
INPUT VOLTAGE: 120VAC ±10%
INPUT FREQUENCY: 60/50 Hz
BALLAST FACTOR (LIGHT OUTPUT): Normal
WARRANTY: 3 Years



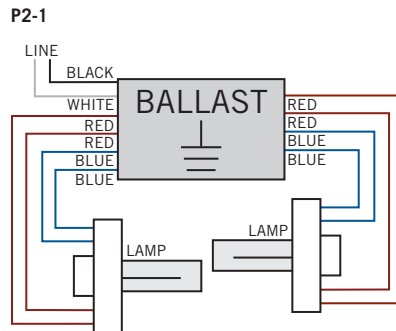
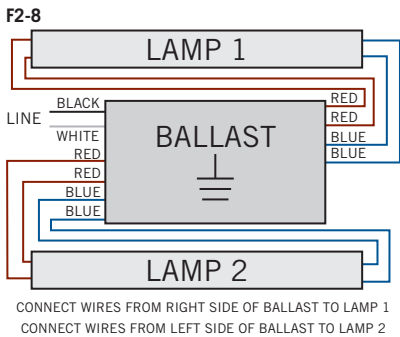
PRODUCT FEATURES

- Sound Rated: A
- Minimum Starting Temperature: 0°F, -18°C
- Maximum Case Temperature: 167°F, 75°C
- Meets FCC Part 18 (Class B) Consumer Limits
- Transient Protection Meets ANSI/IEEE C62.41 Cat. A
- Ballast Frequency for All Listed Lamps: 45KHz-55KHz
- Lamp End-of-Life Protected

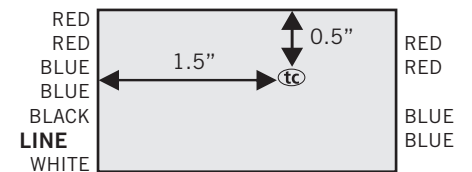
ELECTRICAL SPECIFICATIONS

Lamp Type	No. of Lamps	Input Volts	Input Watts	Input Current	Power Factor	Crest Factor	Ballast Factor	Ballast Efficacy Factor	Max. THD	Wiring Diagrams
F13T5	2	120V	23W	0.37A	0.52	1.60	0.95	4.06	150%	F2-8
(1)F13T5 + (1) F8T5	2	120V	19W	0.31A	0.51	1.53	0.90	4.74	150%	F2-8
CFQ13W/G24q	2	120V	22W	0.36A	0.51	1.52	0.95	4.31	150%	P2-1

WIRING DIAGRAMS



HOT SPOT LOCATION



Actual tc point is noted on each ballast label.

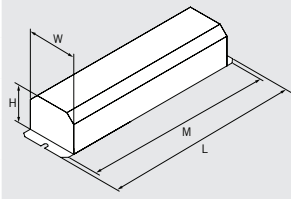


KTEB-213-1-TP

T12 ELECTRONIC BALLAST

MECHANICAL SPECIFICATIONS

CASE DIMENSIONS



LENGTH	6.46"
WIDTH	1.86"
HEIGHT	0.94"
MOUNTING	6.00"
CASE STYLE	C6

STANDARD LEAD LENGTHS*

BLACK	12"
WHITE	12"
BLUE	6"
RED	6"

*Consult Keystone for special lead length requirements.

ORDERING INFORMATION

ORDER CODE	PACKAGING STYLE	PACK QTY.	ITEM STATUS
KTEB-213-1-TP-CP	Carton Pack	TBD	Active

CATALOG NUMBER BREAKDOWN

KTEB-213-1-TP-CP

Keystone Technologies Electronic Ballast	2 Lamp	Wattage	120V Input	Thermally Protected	Packaging Style
---	-----------	---------	---------------	------------------------	--------------------