



KTEB-132-UV-PS-N-P

T8 ELECTRONIC BALLAST

Version A4



DESCRIPTION

1x F32T8 | 120-277V | High Power Factor | Program Start

STARTING METHOD: Program
LAMP CONNECTION: Series
INPUT VOLTAGE: 120-277VAC \pm 10%
INPUT FREQUENCY: 50/60 Hz
BALLAST FACTOR (LIGHT OUTPUT): Normal
WARRANTY: 5 Years



PRODUCT FEATURES

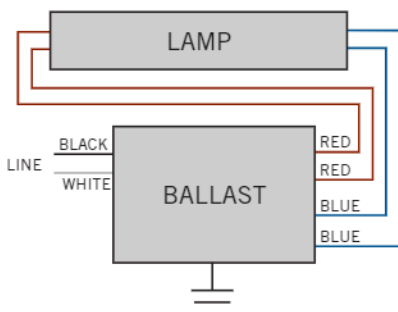
- 2014 DOE Compliant
- Sound Rated: A
- Maximum Case Temperature: 194°F, 90°C
- Maximum Ambient Temperature: 131°F, 55°C
- Meets FCC Part 18 (Class A) Non-Consumer Limits
- Meets ANSI Standard C82.11-2005 and C62.41-2002
- Open Circuit Voltage: 300V
- UL, cUL Listed Class P, Type 1 Outdoor
- Type HL, Type CC
- Number of Lamp Starts: >100,000

ELECTRICAL SPECIFICATIONS

LAMP TYPE	NO. OF LAMPS	INPUT VOLTS	INPUT WATTS	INPUT CURRENT (AMPS)	POWER FACTOR	CREST FACTOR	BALLAST FACTOR	BALLAST EFFICACY FACTOR	MAX THD (%)
F32T8	1	120	30	0.25	\geq 0.98	\leq 1.70	0.88	2.95	10
	1	277	30	0.11	\geq 0.98	\leq 1.70	0.88	2.98	10
F32T8 (30W)	1	120	27	0.23	\geq 0.98	\leq 1.70	0.88	3.28	10
	1	277	29	0.11	\geq 0.98	\leq 1.70	0.88	3.06	10
F32T8 (28W)	1	120	26	0.22	\geq 0.98	\leq 1.70	0.88	3.40	10
	1	277	27	0.10	\geq 0.98	\leq 1.70	0.88	3.42	10
F32T8 (25W)	1	120	25	0.21	\geq 0.98	\leq 1.70	0.88	3.56	10
	1	277	27	0.10	\geq 0.98	\leq 1.70	0.88	3.30	10
F40T8	1	120	36	0.29	\geq 0.98	\leq 1.70	0.88	2.93	10
	1	277	35	0.13	\geq 0.98	\leq 1.70	0.88	2.93	10

WIRING DIAGRAM

F1-6





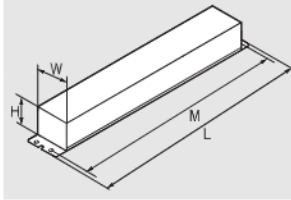
KTEB-132-UV-PS-N-P

T8 ELECTRONIC BALLAST

Version A4

MECHANICAL SPECIFICATIONS

CASE DIMENSIONS



LENGTH	9.50"
WIDTH	1.35"
HEIGHT	1.10"
MOUNTING	8.90"
CASE STYLE	L30

STANDARD LEAD LENGTHS*

BLACK	25"
WHITE	25"
BLUE	31"
RED	46"

*Consult Keystone for special lead length requirements.

ORDERING INFORMATION

ORDER CODE	PACKAGING STYLE	PACKAGE QUANTITY	ITEM STATUS
KTEB-132-UV-PS-N-P-CP	Carton	20	Active

ALTERNATE DESIGNS

PART NUMBER	DESCRIPTION
KTEB-132-UV-PS-N-P /F1	Black and White Leads: 8", Blue Leads: 20", Red Leads: 39"; 90 Degree Flag Terminal on Black Lead
KTEB-132-UV-PS-N-P /F2	Black and White Leads: 8", Blue Leads: 20", Red Leads: 12"; 90 Degree Flag Terminal on Black Lead
KTEB-132-UV-PS-N-P /F3	Black and White Leads: 16", Blue Leads: 32", Red Leads: 23"; 90 Degree Flag Terminal on Black Lead
KTEB-132-UV-PS-N-P /F4	Black and White Leads: 6", Blue Leads: 14", Red Leads: 36"; 90 Degree Flag Terminal on Black Lead

CATALOG NUMBER BREAKDOWN

KTEB-132-UV-PS-N-P-CP

Keystone Technologies Electronic Ballast	1 Lamp	Wattage	Universal Voltage	Program Start	Normal Ballast Factor	Premium Series	Packaging Style
---	-----------	---------	----------------------	------------------	-----------------------------	-------------------	--------------------