



KTEB-126-1-TP-SC-RJS /HB

CFL ELECTRONIC FLUORESCENT



RoHS Compliant



PRODUCT FEATURES

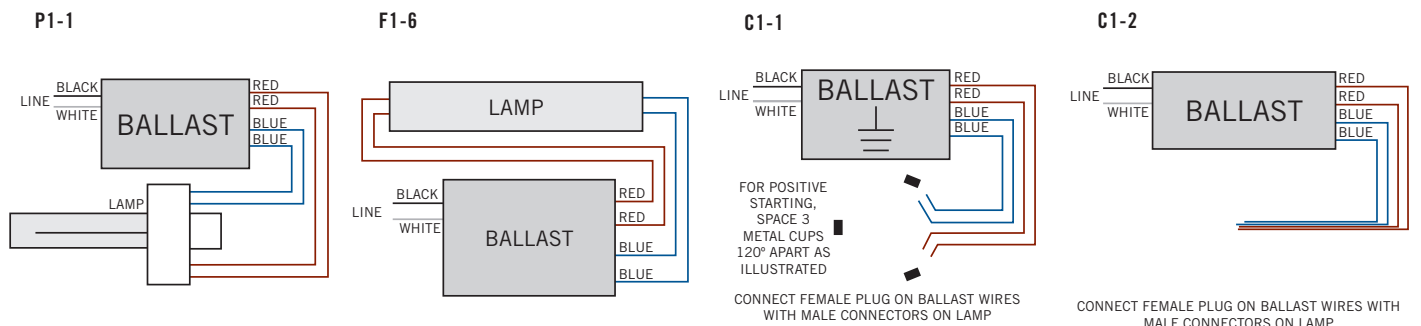
STARTING METHOD: Rapid	INPUT VOLTAGE: 120VAC ±10%	WARRANTY: 3 Years
LAMP CONNECTION: --	INPUT FREQUENCY: 60 Hz	POWER FACTOR: Normal

- Sound Rated: A
- Minimum Starting Temperature: 0°F, -18°C
- Maximum Case Temperature: 194°F, 90°C
- Meets FCC Part 18 (Class B) Consumer Limits
- Lamp end-of-life protected

ELECTRICAL SPECIFICATIONS

LAMP TYPE	NO. OF LAMPS	INPUT VOLTS	INPUT WATTS	INPUT CURRENT (AMPS)	POWER FACTOR	CREST FACTOR	BALLAST FACTOR	BALLAST EFFICACY FACTOR	MAX THD%	WIRING DIAGRAM
CFQ26WG24q	1	120	24.0	0.40	0.54	<1.70	0.90	3.75	150	P1-1
CFS28W/GR10q	1	120	26.0	0.40	0.58	<1.70	0.90	3.46	130	C1-2
F32T8	1	120	32.0	0.45	0.59	<1.70	0.95	2.97	130	F1-6
F25T8	1	120	25.0	0.37	0.57	<1.70	0.95	3.80	130	F1-6
F19T5 (28" or 30")	1	120	18.0	0.29	0.52	<1.70	1.00	5.56	150	F1-6
F18T5 (24" or 26")	1	120	17.0	0.27	0.52	<1.70	1.00	5.88	160	F1-6
F17T8	1	120	18.0	0.27	0.54	<1.70	1.00	5.55	150	F1-6
F15T8	1	120	16.0	0.26	0.52	<1.70	1.00	6.25	150	F1-6
F13T8	1	120	16.0	0.26	0.51	<1.70	1.10	6.88	160	F1-6
FC9T5	1	120	23.0	0.35	0.55	<1.70	1.05	4.57	140	C1-1

WIRING DIAGRAMS

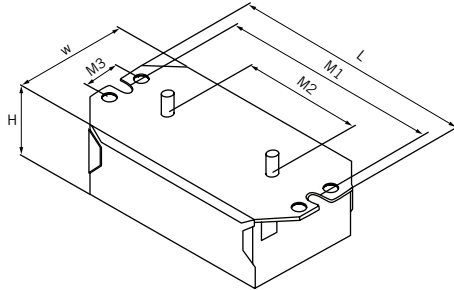




KTEB-126-1-TP-SC-RJS /HB

CFL ELECTRONIC FLUORESCENT

CASE STYLE/DIMENSIONS



CASE DIMENSIONS

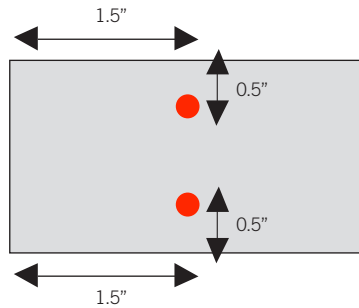
LENGTH: 4.00"
WIDTH: 1.87"
HEIGHT: 1.19"
MOUNTING (M1): 3.58"
MOUNTING (M2): 2.00"
MOUNTING (M3): 0.63"
UNIT WEIGHT: 0.60 lbs

STANDARD LEAD LENGTHS*

BLACK: 6.00"
WHITE: 6.00"
BLUE: 6.00" X 6.00"
RED: 6.00" X 6.00"

*Consult Keystone for special lead length requirements.

HOT SPOT LOCATION



ORDERING INFORMATION

ORDER CODE	PACKAGING STYLE	PACK QTY.	ITEM STATUS
KTEB-126-1-TP-SC-RJS/HB-CP	Carton	40	Quick Ship

CATALOG NUMBER BREAKDOWN

KTEB-126-1-TP-SC-RJS/HB

