



ESSENTIAL SERIES

GENERAL PURPOSE LED BULBS

KT-LED5PAR20-F-8XX /G2

50W REPLACEMENT LAMP

DESCRIPTION

5.5W PAR20 Lamp | 2700–5000K | >80 CRI | Standard Flood



LAMP TYPE: PAR20
BASE TYPE: E26 (Medium)
WATTAGE: 5.5W
COLOR TEMPERATURE: 2700–5000K
COLOR RENDERING INDEX (CRI): >80
WARRANTY: 3 Years
RATED LIFE: L70 (25,000 Hours)



TYPICAL APPLICATIONS

- Track-lighting
- Display
- Flood- and spot-lighting
- Outdoor fixtures

PRODUCT FEATURES

- 80%+ energy savings and less heat generation vs legacy equivalents
- 25,000 hr lifetime means fewer replacements and lower maintenance cost
- Precision crafted optics for beam angle control
- Durable plastic housing for lower risk of breakage
- ANSI compliant construction ensures fit for intended applications
- UL & Energy Star listed
- Suitable for use in enclosed, recessed fixtures
- Suitable for dry, damp, and wet locations
- Suitable for use with dimmers
- PF > 0.90
- Operating temperature range: 4°F/–20°C to 95°F/35°C
- Complies with FCC Part 15

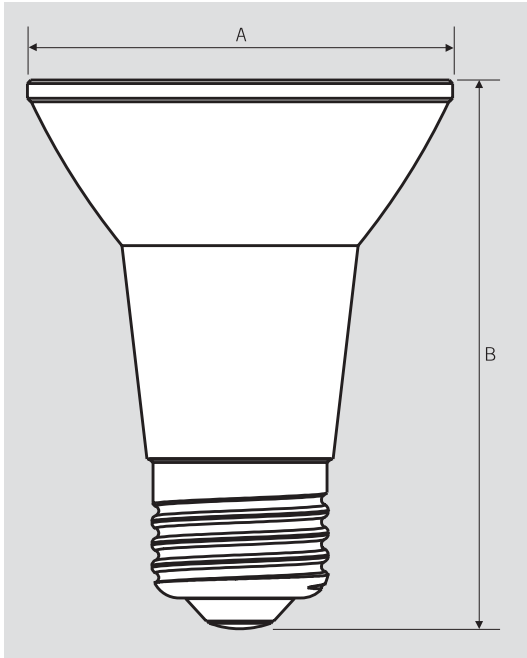
ELECTRICAL AND PERFORMANCE SPECIFICATIONS

Keystone Catalog Number	Description	Base Type	Input Voltage	Rated Lamp Wattage	Legacy Equivalent Wattage	Lumens	Efficacy	CRI	Beam Angle	Dimmable	Color Temp
KT-LED5PAR20-F-827 /G2	PAR20 bulb; Standard flood; Dimmable	E26	120V	5.5W	50W halogen	500	91 lm/W	>80	40°	Yes	2700K
KT-LED5PAR20-F-830 /G2	PAR20 bulb; Standard flood; Dimmable	E26	120V	5.5W	50W halogen	500	91 lm/W	>80	40°	Yes	3000K
KT-LED5PAR20-F-840 /G2	PAR20 bulb; Standard flood; Dimmable	E26	120V	5.5W	50W halogen	500	91 lm/W	>80	40°	Yes	4000K
KT-LED5PAR20-F-850 /G2	PAR20 bulb; Standard flood; Dimmable	E26	120V	5.5W	50W halogen	500	91 lm/W	>80	40°	Yes	5000K

KT-LED5PAR20-F-8XX /G2

50W REPLACEMENT LAMP

PHYSICAL CHARACTERISTICS



LAMP DIMENSIONS

A (Diameter)	2.52"
B (Length)	3.23"

BASE TYPE: E26 (Medium)

PACKAGING

Carton Quantity	72 pcs
Carton Dimensions	19.37" × 8.66" × 8.31"

ORDERING INFORMATION

Order Code	Carton Quantity	UPC	Easy Code
KT-LED5PAR20-F-827 /G2	72 pcs	843654150772	YYM-80
KT-LED5PAR20-F-830 /G2	72 pcs	843654150789	LOC-49
KT-LED5PAR20-F-840 /G2	72 pcs	843654150796	XQU-95
KT-LED5PAR20-F-850 /G2	72 pcs	843654150802	YFE-29

CATALOG NUMBER BREAKDOWN

KT-LED5PAR20-F-8XX /G2

1 2 3 4 5 6 7 8

- 1 Keystone Technologies
- 2 LED Lamp
- 3 Wattage
- 4 Lamp Shape
- 5 Standard Flood
- 6 80 CRI
- 7 Color Temperature
- 8 Second Generation