



# KT-LED25A23-0-EX39-8XX

## REPLACEMENT LAMP

### DESCRIPTION

25W Commercial A23 Lamp | 3000–5000K | > 80 CRI | Omni-Directional



**LAMP TYPE:** Commercial A23

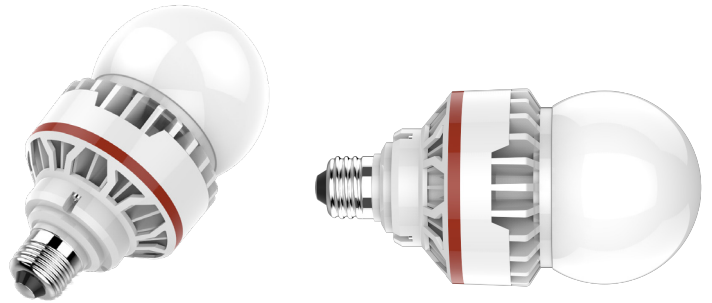
**BASE TYPE:** EX39 (Mogul)

**WATTAGE:** 25W

**COLOR TEMPERATURE:** 3000–5000K

**COLOR RENDERING INDEX (CRI):** > 80

**WARRANTY:** 5 Years



### PRODUCT FEATURES

- Up to 75% energy saving compared to legacy equivalent lamps
- Can be used in base-up or base-down position
- Rated for open and enclosed fixtures
- Large metal heatsink for optimal heat dissipation
- THD < 20%
- PF > 0.90
- Operating temperature range –4°F/–20°C to 113°F/45°C; 95°F/35°C max for fully enclosed fixture
- Ideal for post top, bollards, and outdoor corridor lighting
- Suitable for dry and damp location
- UL 1993 and 1598C Rated

### ELECTRICAL AND PERFORMANCE SPECIFICATIONS

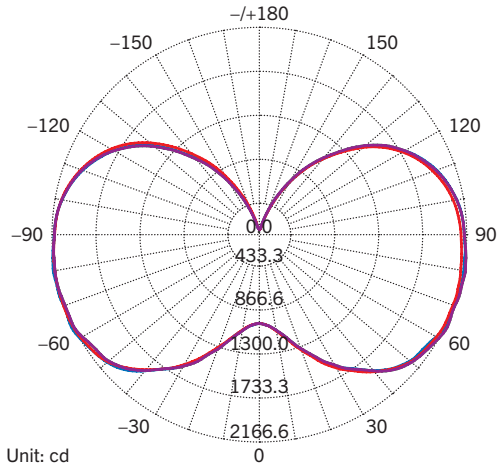
| Keystone Catalog Number | Description  | Color Temp | Input Voltage | Rated Lamp Wattage | Legacy Equivalent Wattage | Base Type | Lumens | CRI  | Light Distribution | Dimmable | Efficacy |
|-------------------------|--|------------|---------------|--------------------|---------------------------|-----------|--------|------|--------------------|----------|----------|
| KT-LED25A23-0-EX39-830  | Commercial A23 Bulb. Universal Input Voltage, Omni-Directional, Non-Dimmable | 3000K      | 120–277V      | 25W                | 200W incand./100W HID     | EX39      | 3380 L | > 80 | 330                | No       | 135 lm/W |
| KT-LED25A23-0-EX39-840  | Commercial A23 Bulb. Universal Input Voltage, Omni-Directional, Non-Dimmable | 4000K      | 120–277V      | 25W                | 200W incand./100W HID     | EX39      | 3530 L | > 80 | 330                | No       | 141 lm/W |
| KT-LED25A23-0-EX39-850  | Commercial A23 Bulb. Universal Input Voltage, Omni-Directional, Non-Dimmable | 5000K      | 120–277V      | 25W                | 200W incand./100W HID     | EX39      | 3590 L | > 80 | 330                | No       | 143 lm/W |



# KT-LED25A23-0-EX39-8XX REPLACEMENT LAMP

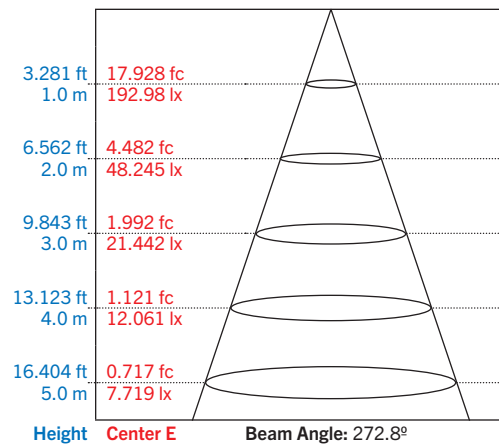
## OPERATING SPECIFICATIONS

### POLAR CANDELA DISTRIBUTION



| C Plane      | 50% MaxAng. | 10% MaxAng. |
|--------------|-------------|-------------|
| C180.0_360.0 | 280.1       | 327.7       |
| C0.0_180.0   | 280.1       | 327.7       |
| C90.0_270.0  | 281.9       | 328.7       |
| C180.0_360.0 | 280.1       | 327.7       |

### LUX DISTANCE CURVE

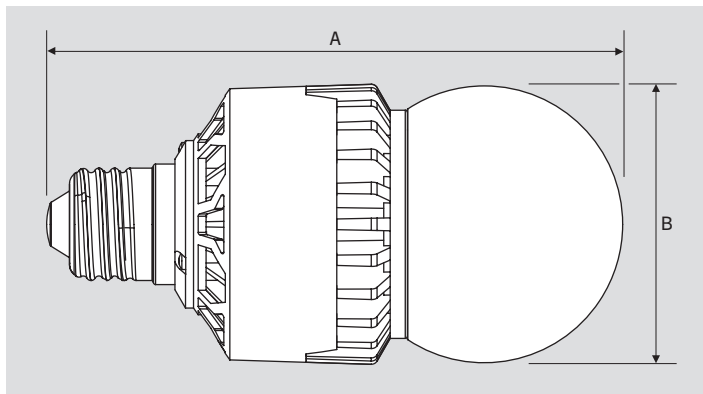


Note: The curves indicate the illuminated area and the average illumination when the luminaire is at a different distance.

### RATED LIFE

|             |        |
|-------------|--------|
| L70 (Hours) | 50,000 |
|-------------|--------|

## PHYSICAL CHARACTERISTICS



### LAMP DIMENSIONS

|              |       |
|--------------|-------|
| A (Length)   | 6.66" |
| B (Diameter) | 3.22" |

BASE TYPE: EX39 (Mogul)

## PACKAGING

|                   |                      |
|-------------------|----------------------|
| Carton Quantity   | 24 pcs (25W)         |
| Carton Dimensions | 12" x 15.1" x 16.14" |
| Carton Weight     | 33.5 lbs             |



# KT-LED25A23-0-EX39-8XX

## REPLACEMENT LAMP

### ORDERING INFORMATION

| CATALOG NUMBER            | PACK QTY. | EASY CODE | UPC          |
|---------------------------|-----------|-----------|--------------|
| KT-LED25A23-0-EX39-830-DP | 24 pcs    | JXB-58    | 843654122854 |
| KT-LED25A23-0-EX39-840-DP | 24 pcs    | PKD-79    | 843654122861 |
| KT-LED25A23-0-EX39-850-DP | 24 pcs    | MEW-05    | 843654122878 |

### CATALOG NUMBER BREAKDOWN

# KT-LED25A23-0-EX39-8XX-DP

1 2 3 4 5 6 7 8 9

- 1 Keystone Technologies
- 2 LED Lamp
- 3 Wattage
- 4 Lamp Style
- 5 Omni-Directional
- 6 Base Type
- 7 80 CRI
- 8 Color Temperature
- 9 Packaging Style