



KT-LED25A23-0-E26-8XX

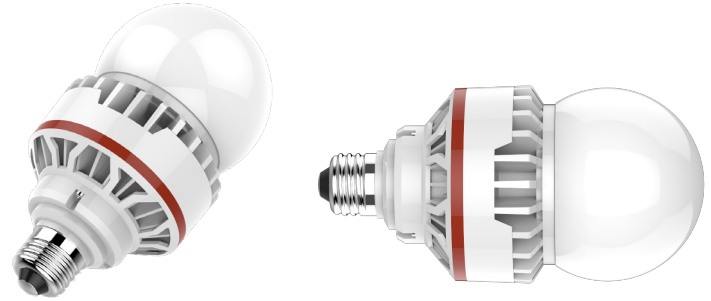
REPLACEMENT LAMP

DESCRIPTION

25W Commercial A23 Lamp | 3000–5000K | >80 CRI | Omni-Directional



LAMP TYPE: Commercial A23
BASE TYPE: E26 (Medium)
WATTAGE: 25W
COLOR TEMPERATURE: 3000–5000K
COLOR RENDERING INDEX (CRI): > 80
WARRANTY: 5 Years



PRODUCT FEATURES

- Up to 75% energy saving compared to legacy equivalent lamps
- Can be used in base-up or base-down position
- Rated for open and enclosed fixtures
- Large metal heatsink for optimal heat dissipation
- THD < 20%
- PF > 0.90
- Operating temperature range –4°F/–20°C to 113°F/45°C; 95°F/35°C max for fully enclosed fixture
- Ideal for post top, bollards, and outdoor corridor lighting
- Suitable for dry and damp location
- Meets Energy Star requirements
- UL 1993 and 1598C Rated

ELECTRICAL AND PERFORMANCE SPECIFICATIONS

Keystone Catalog Number	Description	Color Temp	Input Voltage	Rated Lamp Wattage	Legacy Equivalent Wattage	Base Type	Lumens	CRI	Light Distribution	Dimmable	Efficacy
KT-LED25A23-0-E26-830	Commerical A23 Bulb. Universal Input Voltage, Omni-Directional, Non-Dimmable	3000K	120–277V	25W	200W incand./100W HID	E26	3160 L	>80	330	No	126 lm/W
KT-LED25A23-0-E26-840	Commerical A23 Bulb. Universal Input Voltage, Omni-Directional, Non-Dimmable	4000K	120–277V	25W	200W incand./100W HID	E26	3350 L	>80	330	No	134 lm/W
KT-LED25A23-0-E26-850	Commerical A23 Bulb. Universal Input Voltage, Omni-Directional, Non-Dimmable	5000K	120–277V	25W	200W incand./100W HID	E26	3340 L	>80	330	No	133 lm/W

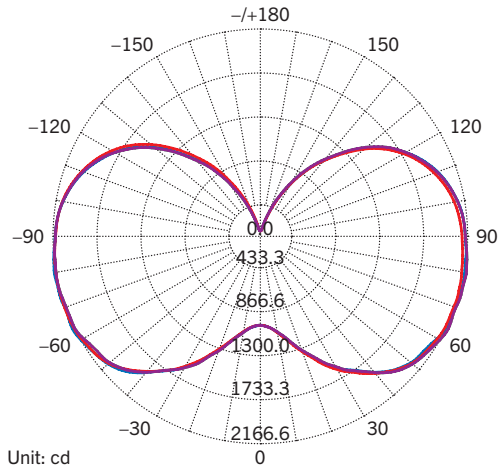


KT-LED25A23-0-E26-8XX

REPLACEMENT LAMP

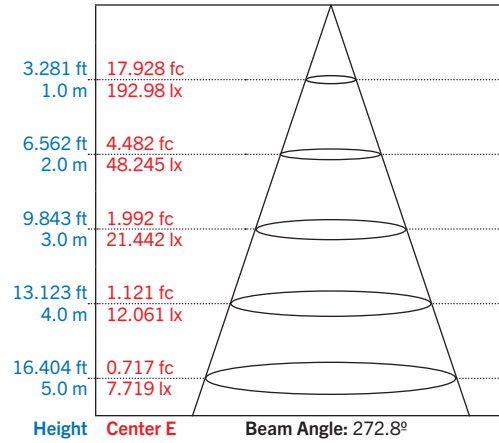
OPERATING SPECIFICATIONS

POLAR CANDELA DISTRIBUTION



C Plane	50% MaxAng.	10% MaxAng.
■ C180.0_360.0	280.1	327.7
■ C0.0_180.0	280.1	327.7
■ C90.0_270.0	281.9	328.7
■ C180.0_360.0	280.1	327.7

LUX DISTANCE CURVE

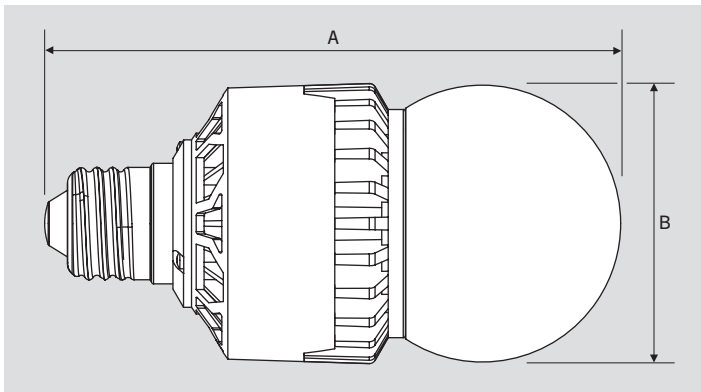


Note: The curves indicate the illuminated area and the average illumination when the luminaire is at a different distance.

RATED LIFE

L70 (Hours)	50,000
-------------	--------

PHYSICAL CHARACTERISTICS



LAMP DIMENSIONS

A (Length)	6.28"
B (Diameter)	3.22"

BASE TYPE: E26 (Medium)

PACKAGING

Carton Quantity	24 pcs (25W)
Carton Dimensions	12" × 15.1" × 16.14"
Carton Weight	33.5 lbs



KT-LED25A23-0-E26-8XX

REPLACEMENT LAMP

ORDERING INFORMATION

CATALOG NUMBER	PACK QTY.	EASY CODE	UPC
KT-LED25A23-0-E26-830-DP	24 pcs	FEK-69	843654122823
KT-LED25A23-0-E26-840-DP	24 pcs	AVA-26	843654122830
KT-LED25A23-0-E26-850-DP	24 pcs	WAU-28	843654122847

CATALOG NUMBER BREAKDOWN

KT-LED25A23-0-E26-8XX-DP

1 2 3 4 5 6 7 8 9

- 1 Keystone Technologies
- 2 LED Lamp
- 3 Wattage
- 4 Lamp Style
- 5 Omni-Directional
- 6 Base Type
- 7 800 Series
- 8 Color Temperature
- 9 Packaging Style