



# DIRECT DRIVE DX2

SINGLE- OR DOUBLE-ENDED LINE VOLTAGE LED TUBES

## KT-LED18.5T8-48G-8XX-DX2 /USA

### T8 LED LAMP

#### DESCRIPTION

18.5W T8 LED | 3000/3500/4000/5000/6500K | >83 CRI | High efficiency | Single or double-ended wiring



<b>LAMP TYPE:</b> Linear
<b>BULB TYPE:</b> T8 LED
<b>BASE TYPE:</b> G13 (Medium Bi-Pin)
<b>WATTAGE:</b> 18.5W
<b>COLOR TEMPERATURE:</b> 3000/3500/4000/5000/6500K
<b>COLOR RENDERING INDEX (CRI):</b> >83
<b>WARRANTY:</b> 5 Years



#### PRODUCT FEATURES

- **Made in USA. BAA/TAA Compliant**
- Replacement for conventional fluorescent lamp
- Single or double-ended wiring
- 50,000+ hour lifetime
- Approximately 40% more energy efficient than standard F32T8 lamps
- Environmentally friendly: No mercury used
- Frosted lens eliminates pixelation
- UL classified
- Operating temperature: -20°C/-4°F to 45°C/113°F
- Integral driver (isolated), Eliminates the need for external driver or ballast
- 110+ lumens per watt

#### PERFORMANCE SPECIFICATIONS

Catalog Number	Input Voltage	Wattage	Color Temperature	Lumen Output	Efficacy	CRI	Beam Angle	Visibel Light Area	Power Factor	THD	Input Current	Life Time
KT-LED18.5T8-48G-830-DX2 /USA	120-277V	18.5W	3000K	2600	141 lm/W	>83	240°	325°	> 0.9	> 20%	0.15A @ 120V 0.07A @ 277V	50,000 hrs
KT-LED18.5T8-48G-835-DX2 /USA	120-277V	18.5W	3500K	2600	141 lm/W	>83	240°	325°	> 0.9	> 20%	0.15A @ 120V 0.07A @ 277V	50,000 hrs
KT-LED18.5T8-48G-840-DX2 /USA	120-277V	18.5W	4000K	2600	141 lm/W	>83	240°	325°	> 0.9	> 20%	0.15A @ 120V 0.07A @ 277V	50,000 hrs
KT-LED18.5T8-48G-850-DX2 /USA	120-277V	18.5W	5000K	2600	141 lm/W	>83	240°	325°	> 0.9	> 20%	0.15A @ 120V 0.07A @ 277V	50,000 hrs
KT-LED18.5T8-48G-865-DX2 /USA	120-277V	18.5W	6500K	2600	141 lm/W	>83	240°	325°	> 0.9	> 20%	0.15A @ 120V 0.07A @ 277V	50,000 hrs

#### PHYSICAL SPECIFICATIONS

##### LAMP DIMENSIONS

	<b>A (Illuminated Length)</b>	42.63"
	<b>B (Body Length)</b>	47.15"
	<b>C (Diameter)</b>	1.10"

**NOMINAL LENGTH:** 48" **BASE TYPE:** G13 (Medium Bi-Pin)

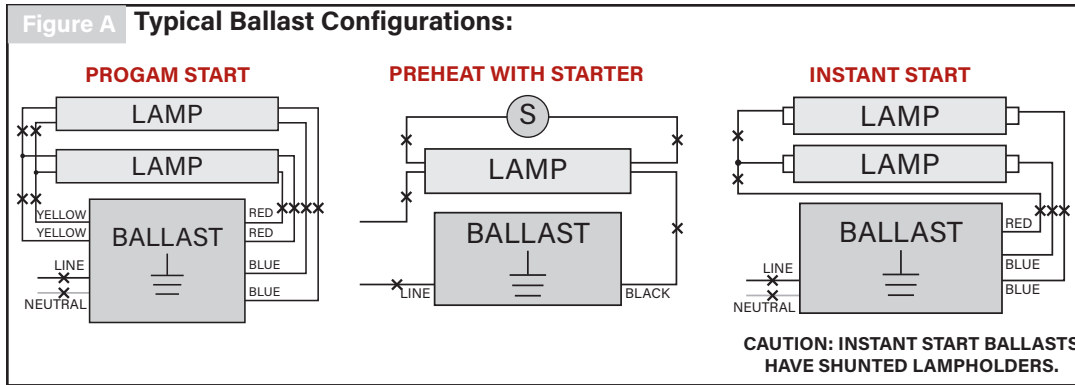


# KT-LED18.5T8-48G-8XX-DX2 /USA

## T8 LED LAMP

### SINGLE-ENDED WIRING DIAGRAM

1. Cut all existing connections to ballast as shown below and remove ballast. See Figure A for typical ballast configurations. **Note: Single-ended wiring requires non-shunted lampholders.**



**Typical Non-Shunted Lampholder**

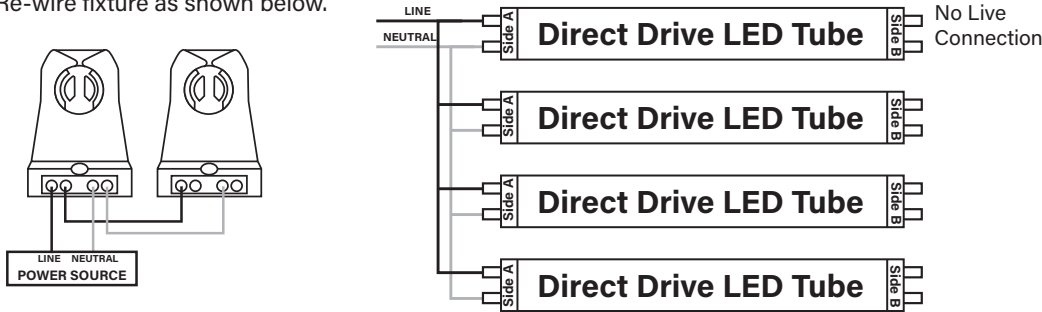
Connect wires directly to these terminals

**CAUTION: For Single-ended wiring use only non-shunted lampholders.**

For Single-ended wiring, do not install product in a fixture with shunted lampholders (found in all fixtures using instant start ballasts). If the current lampholders are shunted, remove them and replace them with non-shunted lampholders. Make new connections directly to terminals as indicated above.

Keystone can provide any style replacement lampholders. Call us at 800-464-2680.

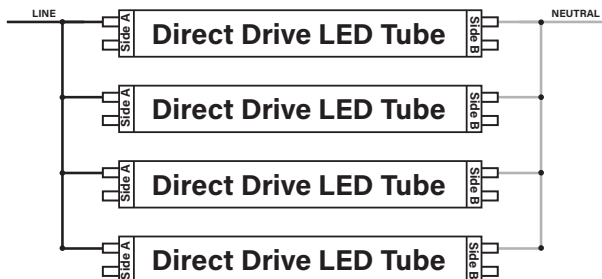
2. Re-wire fixture as shown below.



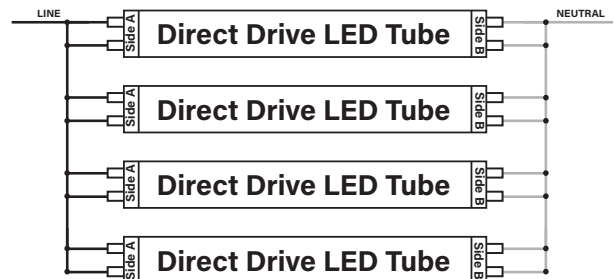
### DOUBLE-ENDED WIRING DIAGRAM

1. Cut all existing connections to ballast as shown below and remove ballast. See Figure A above for typical ballast configurations.
2. Re-wire fixture as shown below. For Double-ended wiring, use either shunted or nonshunted lampholders. **Note: There should not be any exposed wires at the end of installation.**

**Shunted Lampholders**



**Nonshunted Lampholders**





# KT-LED18.5T8-48G-8XX-DX2 /USA

## T8 LED LAMP

### ORDERING INFORMATION

ORDER CODE	UPC	EASY CODE	DLC PRODUCT ID
KT-LED18.5T8-48G-830-DX2 /USA	TBD	TBD	PLHQDNWG567T
KT-LED18.5T8-48G-835-DX2 /USA	TBD	TBD	PLOQX00BYGLF
KT-LED18.5T8-48G-840-DX2 /USA	843654127255	JWH-53	PLMJ40VPSTXN
KT-LED18.5T8-48G-850-DX2 /USA	843654127262	TNX-64	PLKPPWXSBEH0
KT-LED18.5T8-48G-865-DX2 /USA	TBD	TBD	PLWC9LJTOYXV

### CATALOG NUMBER BREAKDOWN

# KT-LED18.5T8-48G-8XX-DX2 /USA

1 2 3 4 5 6 7 8 9 10

- 1 Keystone Technologies
- 2 LED Lamp
- 3 Wattage
- 4 Lamp Type
- 5 Nominal Length (inches)
- 6 Glass
- 7 80 CRI
- 8 Color Temperature
- 9 Single or Double-Ended Wiring
- 10 Made in the USA