



# ESSENTIAL SERIES

GENERAL PURPOSE LED BULBS

## KT-LED13PAR38-F-8XX

REPLACEMENT LAMP

### DESCRIPTION

12.5W PAR38 Lamp | 2700–5000K | >80 CRI | Standard Flood



Enclosed  
Fixture Rated



RoHS  
Compliant

**3YEAR**  
WARRANTY

<b>LAMP TYPE:</b> PAR38
<b>BASE TYPE:</b> E26 (Medium)
<b>WATTAGE:</b> 12.5W
<b>COLOR TEMPERATURE:</b> 2700–5000K
<b>COLOR RENDERING INDEX (CRI):</b> >80
<b>WARRANTY:</b> 3 Years
<b>RATED LIFE:</b> L70 (25,000 Hours)



### TYPICAL APPLICATIONS

- Track Lighting
- Display
- Flood and SpotLighting
- Outdoor fixtures (with suitable protection from the elements)

### PRODUCT FEATURES

- Energy Efficient, 80%+ Energy Savings over Legacy Equivalents
- Lower Heat Generation than Legacy Equivalents
- PF >0.70
- Complies with Part 15 of FCC
- Smooth, uniform dimming
- Durable Plastic housing lowers the risk for breakage
- Precision crafted full face optics for precise beam angle control
- Operating temperature range –4°F/–20°C to 113°F/45°C
- Long Life minimizes replacement and maintenance costs
- ANSI compliant construction ensures fitment for intended applications
- Meets Energy Star requirements
- UL Listed
- Rated for use in damp and wet locations
- Suitable for use in open, enclosed, and recessed fixtures

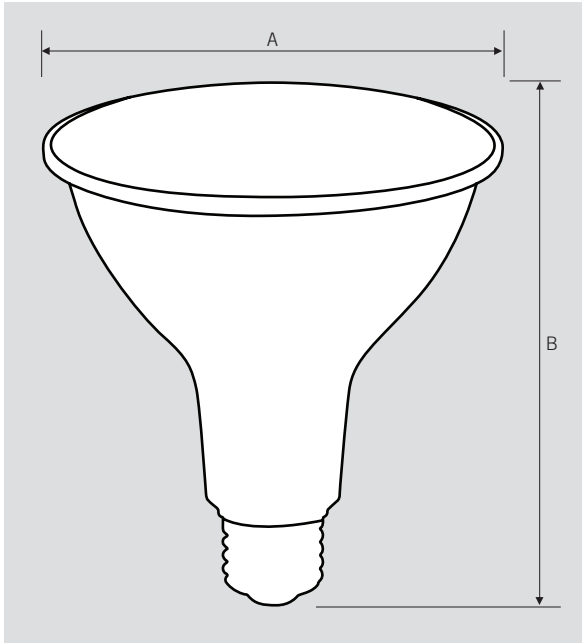
### ELECTRICAL AND PERFORMANCE SPECIFICATIONS

Keystone Catalog Number	Description	Color Temp	Input Voltage	Rated Lamp Wattage	Legacy Equivalent Wattage	Base Type	Lumens	Energy Star CBCP	CRI	Light Distribution	Dimmable	Efficacy
KT-LED13PAR38-F-827	PAR38 bulb. Standard flood, dimmable	2700K	120V	12.5W	120W halogen	E26	1200	2491	>80	40°	Yes	96 lm/W
KT-LED13PAR38-F-830	PAR38 bulb. Standard flood, dimmable	3000K	120V	12.5W	120W halogen	E26	1200	2663	>80	40°	Yes	96 lm/W
KT-LED13PAR38-F-840	PAR38 bulb. Standard flood, dimmable	4000K	120V	12.5W	120W halogen	E26	1260	2790	>80	40°	Yes	101 lm/W
KT-LED13PAR38-F-850	PAR38 bulb. Standard flood, dimmable	5000K	120V	12.5W	120W halogen	E26	1260	2770	>80	40°	Yes	101 lm/W

# KT-LED13PAR38-F-8XX

## REPLACEMENT LAMP

### PHYSICAL CHARACTERISTICS



### LAMP DIMENSIONS

A (Diameter)	4.80"
B (Length)	5.20"

BASE TYPE: E26 (Medium)

### PACKAGING

Carton Quantity	24 pcs
Carton Dimensions	21.06" × 15.75" × 13.58"
Carton Weight	17.61 lbs

### ORDERING INFORMATION

ORDER CODE	CARTON QUANTITY	ENERGY STAR UNIQUE ID	EASY CODE	UPC
KT-LED13PAR38-F-827	24 pcs	2348850	LXO-73	843654123981
KT-LED13PAR38-F-830	24 pcs	2348848	XZA-50	843654123998
KT-LED13PAR38-F-840	24 pcs	2348849	SKP-29	843654124001
KT-LED13PAR38-F-850	24 pcs	2348851	BCP-98	843654124018

### CATALOG NUMBER BREAKDOWN

# KT-LED13PAR38-F-8XX

1 2 3 4 5 6 7

- 1 Keystone Technologies
- 2 LED Lamp
- 3 Wattage
- 4 Lamp Shape
- 5 Standard Flood (F)
- 6 800 Series
- 7 Color Temperature