



ESSENTIAL SERIES

GENERAL PURPOSE LED BULBS

KT-LED11.5PAR38-NF-9XX

REPLACEMENT LAMP

DESCRIPTION

11.5W PAR38 Lamp | 2700–5000K | >90 CRI | Narrow Flood



Enclosed Fixture Rated



RoHS Compliant

3 YEAR WARRANTY

LAMP TYPE: PAR38
BASE TYPE: E26 (Medium)
WATTAGE: 11.5W
COLOR TEMPERATURE: 2700–5000K
COLOR RENDERING INDEX (CRI): >90
WARRANTY: 3 Years
RATED LIFE: L70 (25,000 Hours)



TYPICAL APPLICATIONS

- Track Lighting
- Display
- Flood and SpotLighting
- Outdoor fixtures (with suitable protection from the elements)

PRODUCT FEATURES

- Energy efficient, 80%+ energy savings over legacy equivalents
- Lower heat generation than legacy equivalents
- HiCRI LED's offer enhanced color rendering vs 80 CRI LED's, providing ideal clarity, representation, and uniformity of illuminated area/objects
- PF >0.90
- Complies with Part 15 of FCC
- Title 24 JA8 compliant (excluding 4000K and 5000K lamps)
- Title 20 Compliant
- Operating temperature range –4°F/–20°C to 113°F/45°C
- Long life minimizes replacement and maintenance costs
- ANSI compliant construction ensures fitment for intended applications
- Meets Energy Star requirements
- UL Listed
- Rated for use in damp and wet location
- Smooth, uniform dimming
- Precision crafted full face optics for precise beam angle control
- Durable Plastic housing lowers the risk for breakage
- Suitable for use in open, enclosed, and recessed fixtures

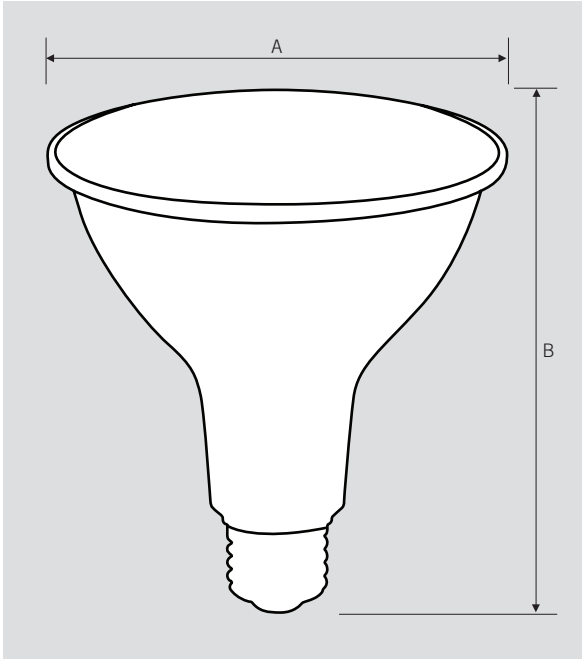
ELECTRICAL AND PERFORMANCE SPECIFICATIONS

Keystone Catalog Number	Description	Color Temp	Input Voltage	Rated Lamp Wattage	Legacy Equivalent Wattage	Base Type	Lumens	Energy Star CBCP	CRI	Light Distribution	Dimmable	Efficacy
KT-LED11.5PAR38-NF-927	PAR38 bulb. Narrow flood, dimmable	2700K	120V	11.5W	90W halogen	E26	1000	4661	>90	25°	Yes	87 lm/W
KT-LED11.5PAR38-NF-930	PAR38 bulb. Narrow flood, dimmable	3000K	120V	11.5W	90W halogen	E26	1000	4779	>90	25°	Yes	87 lm/W
KT-LED11.5PAR38-NF-940	PAR38 bulb. Narrow flood, dimmable	4000K	120V	11.5W	90W halogen	E26	1050	5362	>90	25°	Yes	91 lm/W
KT-LED11.5PAR38-NF-950	PAR38 bulb. Narrow flood, dimmable	5000K	120V	11.5W	90W halogen	E26	1050	5478	>90	25°	Yes	91 lm/W

KT-LED11.5PAR38-NF-9XX

REPLACEMENT LAMP

PHYSICAL CHARACTERISTICS



LAMP DIMENSIONS

A (Diameter)	4.80"
B (Length)	5.20"

BASE TYPE: E26 (Medium)

PACKAGING

Carton Quantity	24 pcs
Carton Dimensions	21.06" × 15.75" × 13.58"
Carton Weight	21.01 lbs

ORDERING INFORMATION

ORDER CODE	CARTON QUANTITY	ENERGY STAR UNIQUE ID	EASY CODE	UPC
KT-LED11.5PAR38-F-927	24 pcs	2348818	NKC-51	843654123943
KT-LED11.5PAR38-F-930	24 pcs	2348819	HPA-50	843654123950
KT-LED11.5PAR38-F-940	24 pcs	2348820	AFH-49	843654123967
KT-LED11.5PAR38-F-950	24 pcs	2348794	VMD-41	843654123974

CATALOG NUMBER BREAKDOWN

KT-LED11.5PAR38-NF-9XX

1 2 3 4 5 6 7

- 1 Keystone Technologies
- 2 LED Lamp
- 3 Wattage
- 4 Lamp Shape
- 5 Narrow Flood
- 6 900 Series
- 7 Color Temperature