

DK6 : 5/6" LED Downlight Kit



project name	type
catalog number	
comments	voltage
approved by	date

11/15
watts

**700/
1100**
lumens

90+
CRI

**2700K-
5000K**
CCT

Features

- Ultra-efficient LED Downlight Kit designed to retrofit into existing incandescent recessed downlights
- Integrated LEDs reduce energy consumption up to 80%
- Fits many popular 5" & 6" recessed downlight fixtures
- Integrated white aluminum powder coated trim with medium base (E26) for direct replacement
- Dimmable 10-100%
- Lasts up to 30X longer than traditional incandescent
- Choice of warm white or cool white color temperatures
- Instant-on, no warm-up time

Performance

- 11W 700lm equivalent to 65W BR incandescent
- 15W 1,100lm equivalent to 90W BR incandescent
- Long life: 50,000+ hours
- Rated for Damp and Wet Locations
- IC rated for use in insulated ceilings
- CRI: >90
- 120V @ 60hz
- ENERGY STAR® Approved

Applications

- Healthcare
- Hospitality
- Office
- Property Management
- Residential
- Retail

Ordering Information

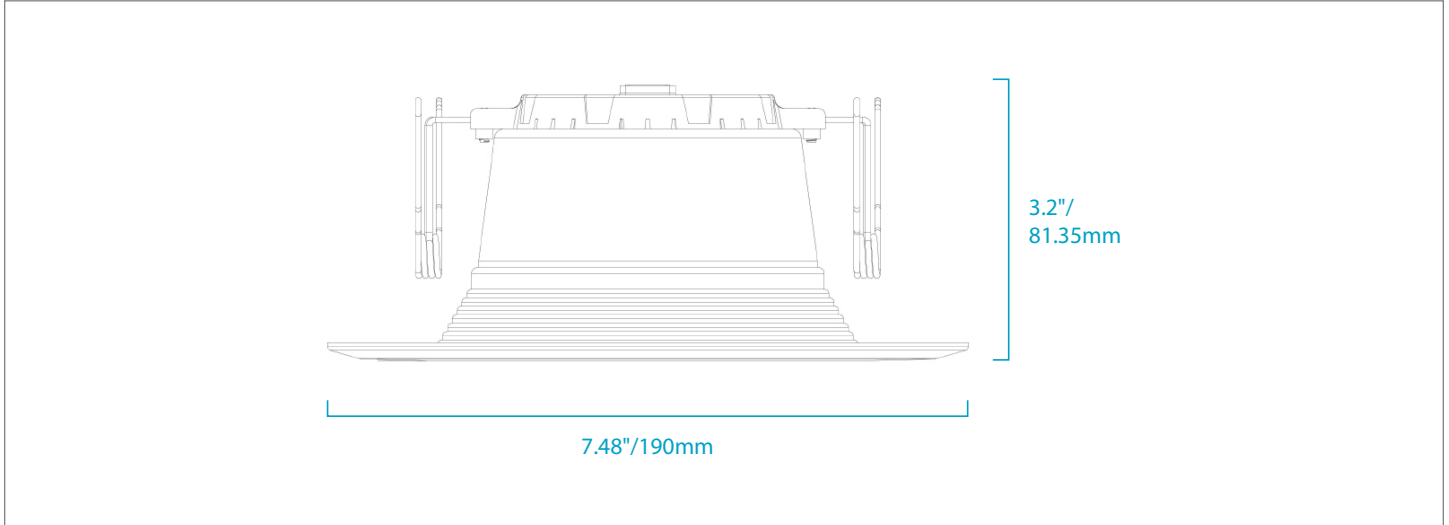
Order Code	Item #	Lm	W	CCT	CRI	Life/Hrs	Replaces Incan.	ENERGY STAR
09681	LED-DK6-11W927-DIM-G7	700	11W	2700K	90+	50,000	65W BR	★
09682	LED-DK6-11W930-DIM-G7	700	11W	3000K	90+	50,000	65W BR	★
09683	LED-DK6-11W940-DIM-G7	700	11W	4000K	90+	50,000	65W BR	★
09684	LED-DK6-11W950-DIM-G7	700	11W	5000K	90+	50,000	65W BR	★
09685	LED-DK6-15W927-DIM-G7	1100	15W	2700K	90+	50,000	90W BR	★
09686	LED-DK6-15W930-DIM-G7	1100	15W	3000K	90+	50,000	90W BR	★
09687	LED-DK6-15W940-DIM-G7	1100	15W	4000K	90+	50,000	90W BR	★
09688	LED-DK6-15W950-DIM-G7	1100	15W	5000K	90+	50,000	90W BR	★

★ ENERGY STAR® Approved



DK6 : 5/6" LED Downlight Kit

Dimensions



Dimmer Compatibility

LUTRON	TGCL-153PH
	CTCL-153P
	MACL-153M
	PD-6WCL
	DVCL-153P
	CT-603PG
	S-603P
	S-600P
	MSCL-OP-153M
	LEVITON
IPL06	
6674	
DSL06-1LZ	
TOP	CAT.NO.S106P
	RHCL453P

watch > like > follow

