

DUSK TO DAWN BARNLIGHT
CCT SELECTABLE BETWEEN 3000/4000/5000K



28W



40W



60W



UNIVERSAL CLAMP WITH
1 5/8" OD BRACKET



UNIVERSAL CLAMP WITH 2
3/8" OD BRACKET



CCT SWITCH



PRODUCT DESCRIPTION:

The Dusk to Dawn Barn Light is the perfect solution for many general purpose outdoor applications. It replaces traditional 100W-175W HID fixtures and can mount directly on a wall or to a pole. The prismatic lens offers a uniform distribution pattern as well as IP65 protection against the elements. All fixtures include a photo cell for dusk to dawn operation.

INSTALLATION:

- Direct Wall Mount
- Pole Mount
- 28W accommodates 1 5/8" OD bracket which can be ordered as an accessory
- 40/60W accommodate both 1 5/8" or 2 3/8" OD brackets, 24" arm is included

CONSTRUCTION:

- Die cast aluminum housing with corrosion resistant powder coat finish (grey), Prismatic lens
- 24" curved aluminum arm with hardware (included with 40/60W versions)

CONTROLS:

120V-277V photocontrol included with all versions, 28W has button PC with removable cap (two fixtures in one), 40W and 60W have 3-pin NEMA twist lock PC.

APPLICATION:

General purpose area application as well as pathways and secondary roads

WARRANTY:

5-year standard warranty with labor allowance* (further details available at www.maxlite.com/warranties)
*Product may be eligible for a warranty extension to 10 years, for an additional fee. Contact MaxLite for details.



MODEL SELECTION							
DBL		U	T5	-	CS	G	
FAMILY	WATTAGE (NOMINAL)	VOLTAGE	DISTRIBUTION	-	CCT	FINISH	OPTIONS
DBL=Dusk to Dawn Barn Light	28=28W ¹ 40=40W 60=60W	U=120-277V	T5=Type V		CS= CCT Selectable 3/4/5K	G=Grey Contact MaxLite for additional finishes	BLANK=120-277V photocell included (28W=Button PC with removable cap - two fixtures in one, 40/60W=Twist lock PC)

¹28W arm not included, 40/60W 24" curved arm with hardware included
Based on CCT Selected and color mixing, all LEDs may not be activated.

STOCKED ITEMS

ORDER CODE	MODEL NUMBER	WATTAGE (NOMINAL)	CCT
104093	DBL28UT5-CSG	28	3/4/5K SELECTABLE
104094	DBL40UT5-CSG	40	3/4/5K SELECTABLE
104095	DBL60UT5-CSG	60	3/4/5K SELECTABLE
104096	DBL-ARM24	N/A	N/A

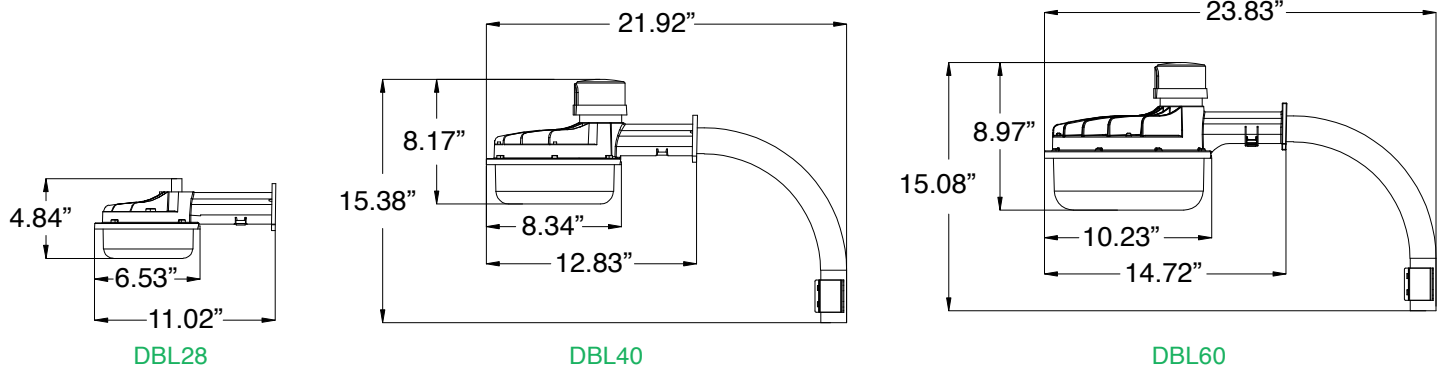
ACCESSORIES /REPLACEMENT PARTS

MODEL # (ORDER CODE)	DESCRIPTION	ACCESSORY IMAGE	MODEL # (ORDER CODE)	DESCRIPTION	ACCESSORY IMAGE
DBL-ARM24 (104093)	24" CURVED ARM WITH HARDWARE FOR WOOD POLE		PCTL-UNV (105038)	TWIST-LOCK ELECTRONIC PHOTOCONTROL	

SPECIFICATIONS

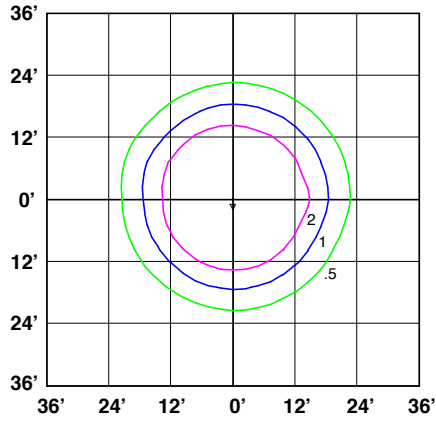
		DBL28	DBL40	DBL60
ITEM	SPECIFICATION	DETAILS		
GENERAL PERFORMANCE	Power Consumption (W)	27W	37W	59.5W
	Lumens Delivered (lm)	3,250-3,470	4,490-4,750	7,240-7,700
	Efficacy (lm/W)	121-129 lm/W	121-128 lm/W	122-129 lm/W
	CRI	≥83		
	Color Temperature	3000K/4000K/5000K (Default setting 5000K)		
	Distribution	Type V		
	Lumen Maintenance L70	140,000 Hrs	143,000 Hrs	144,000 Hrs
	Operating Temperature	-40°F/40°C - 104°F/40°C		
ELECTRICAL	Voltage	120-277V		
PHYSICAL	Housing	Die Cast Aluminum with corrosion resistant powder coat finish		
	Surge Protection	6KV		
	Mounting	Wall or Arm, 28W arm not included (fits 1 5/8" OD only), 40/60W 24" curved arm included, fits 1 5/8" or 2 3/8" OD		
	Lens	UV stabilized vandal resistant polycarbonate		
CERTIFICATION	Certifications	cULus (WL), IP65, ANSI 1.5G, IK08 Impact Test, FCC		
	Warranty	5 Years		

PRODUCT DIMENSIONS

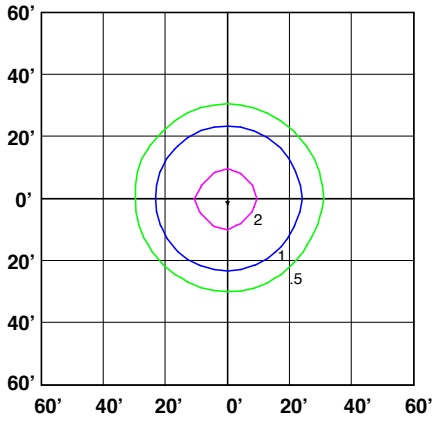


PHOTOMETRIC LAYOUTS*

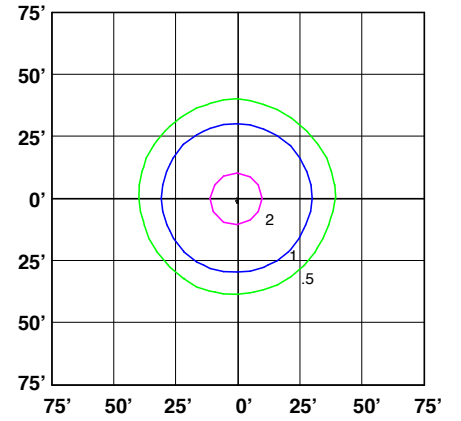
*Units in FC



28W
12' Mounting Height



40W
20' Mounting Height



60W
25' Mounting Height