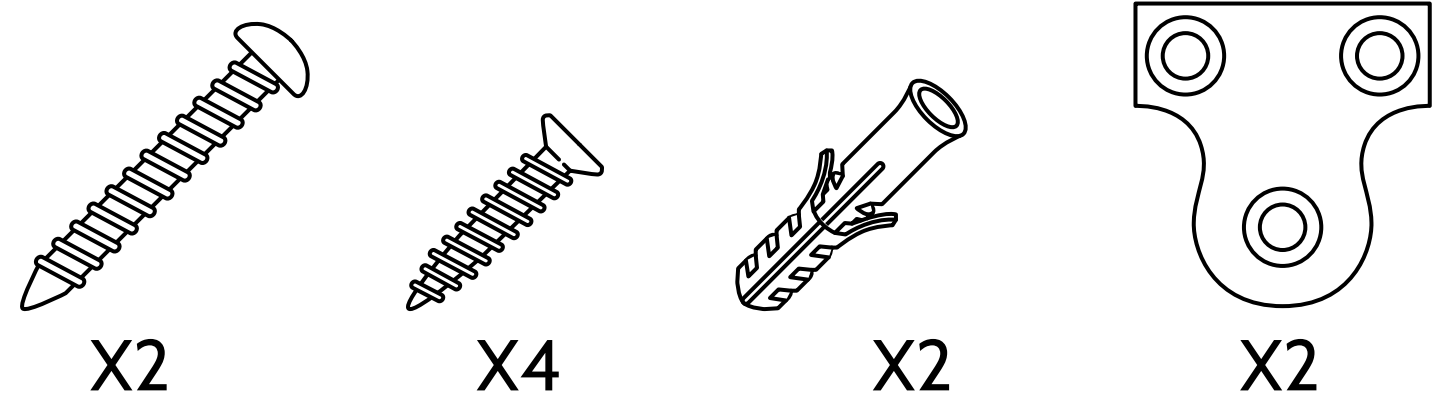
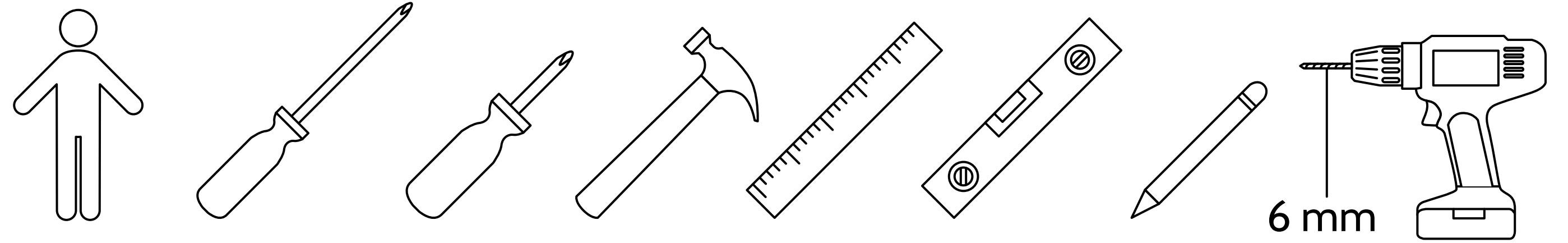


4 ONE SIMPLE STEPS

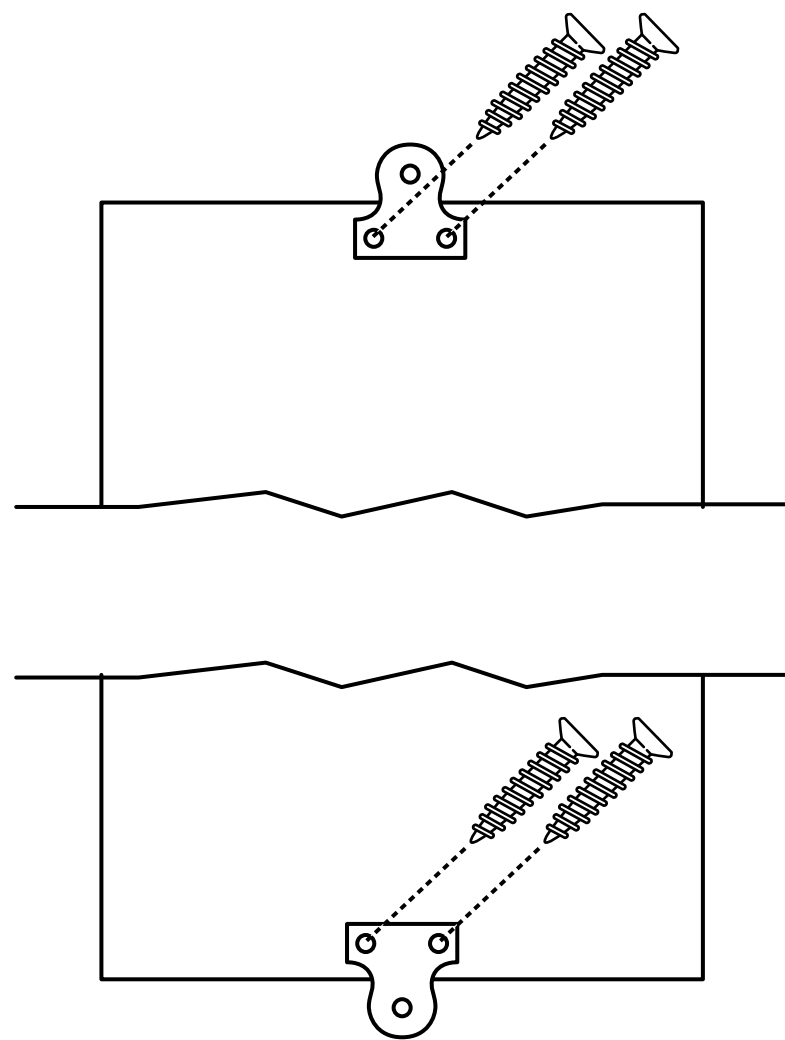


What you get

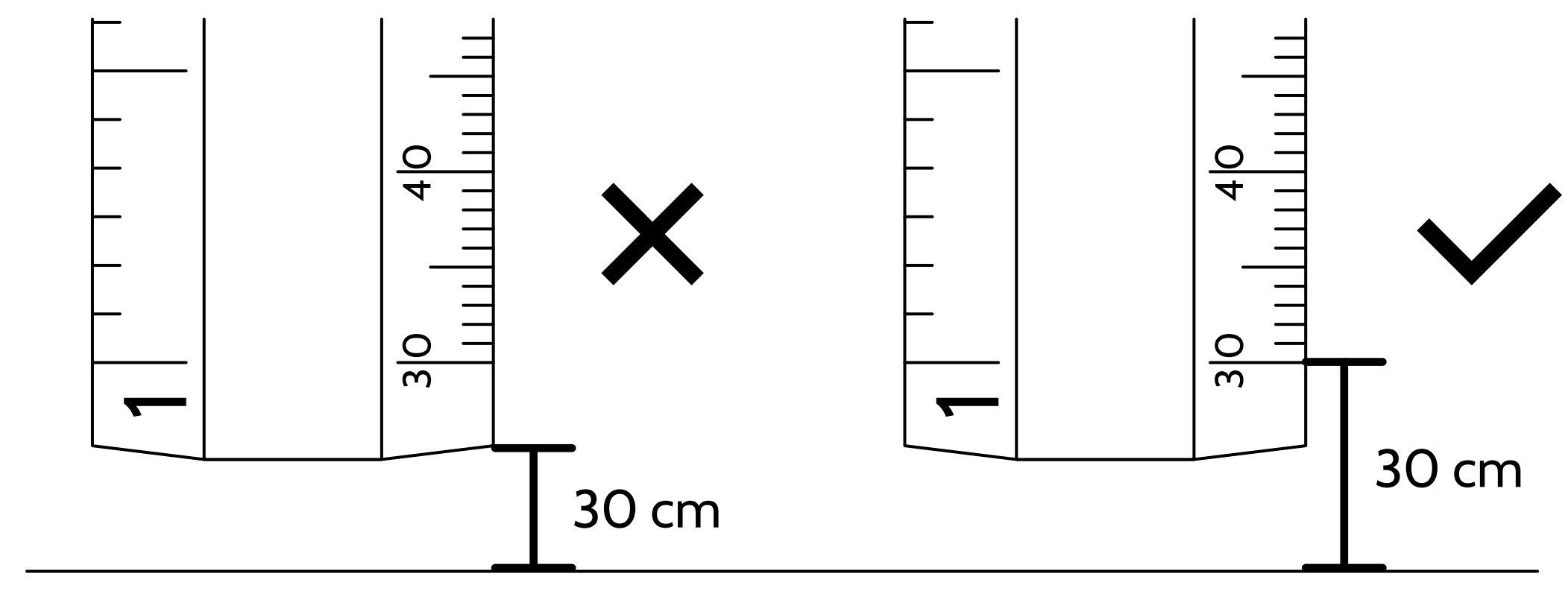


What you'll need

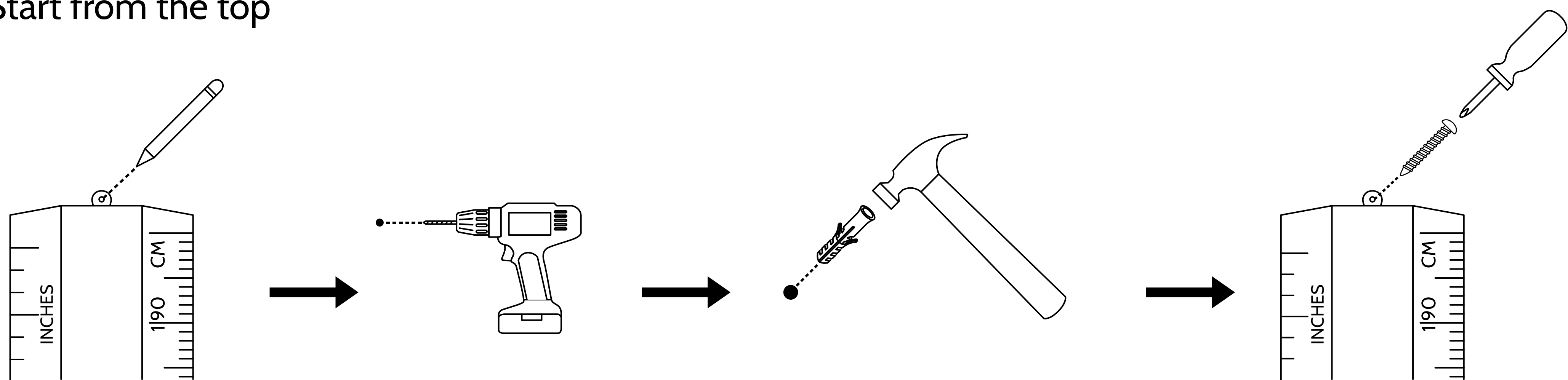
1. Fit your bits



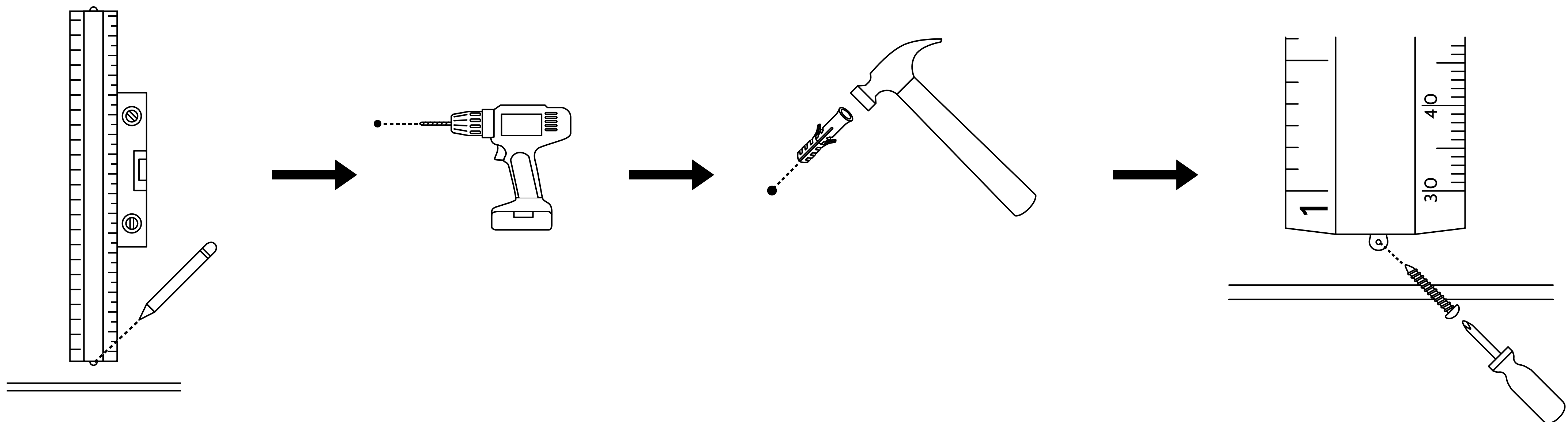
2. Measure up



3. Start from the top



4. Level up



HAPPY MEASURING!