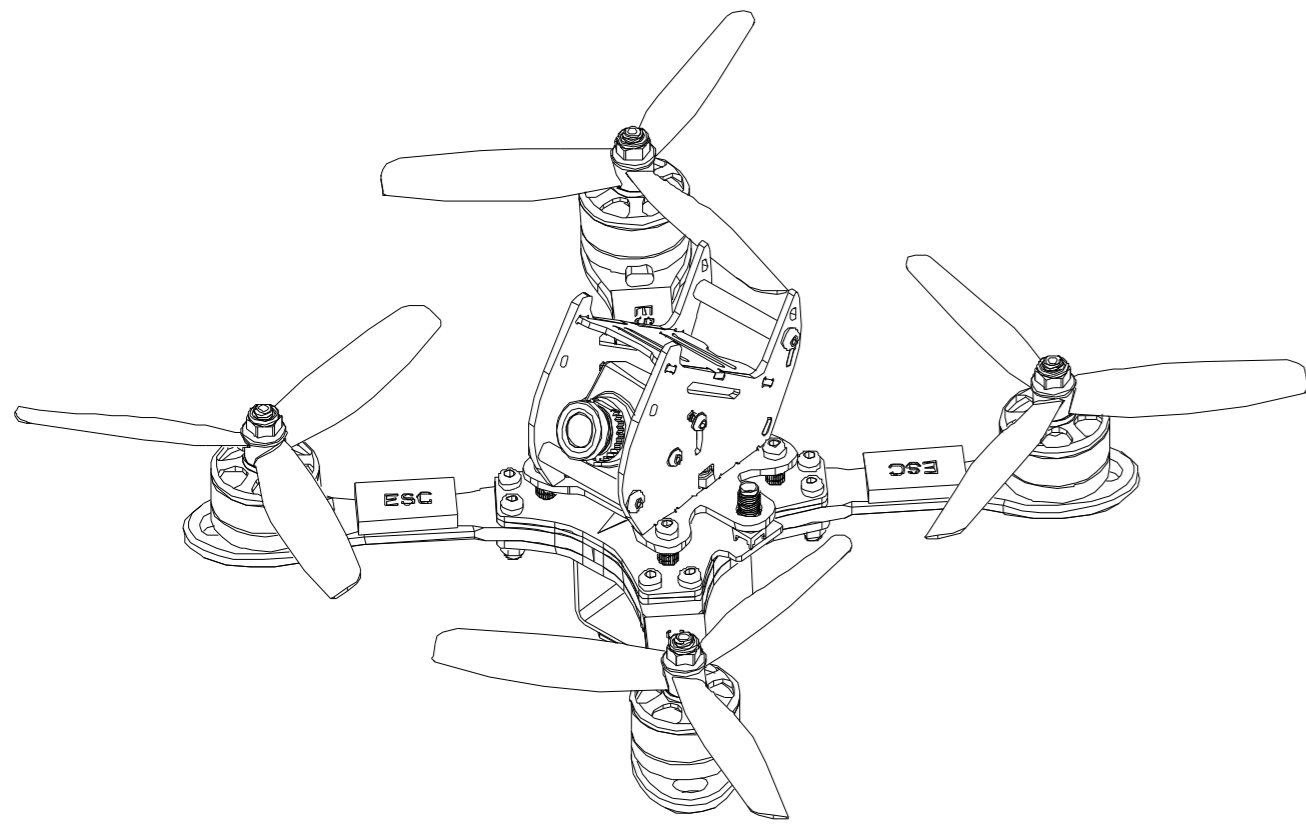


# Shuriken X1 KIT

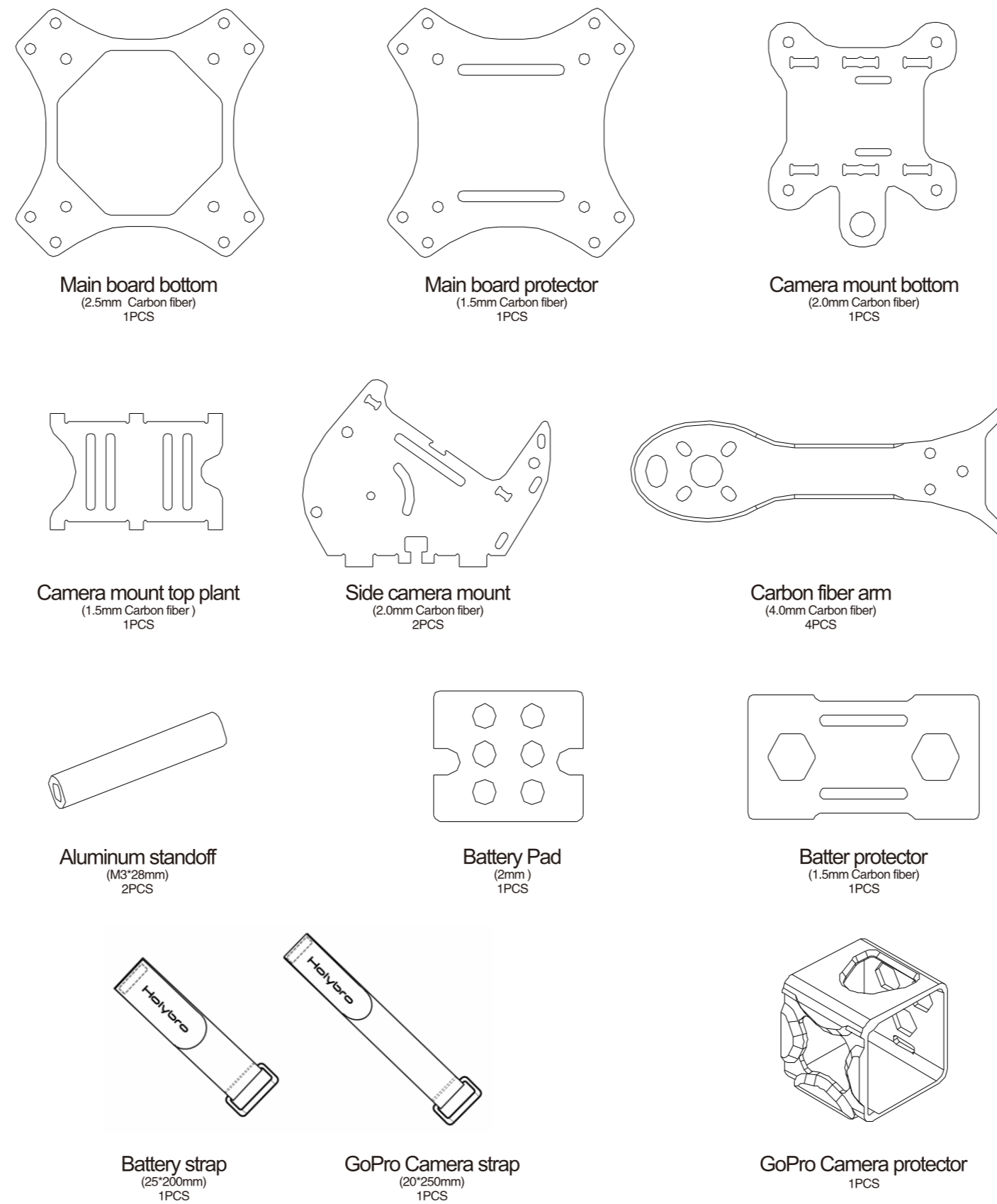
## Assembly Instruction



<https://www.holybro.com>  
<https://www.facebook.com/holybrohobby/>

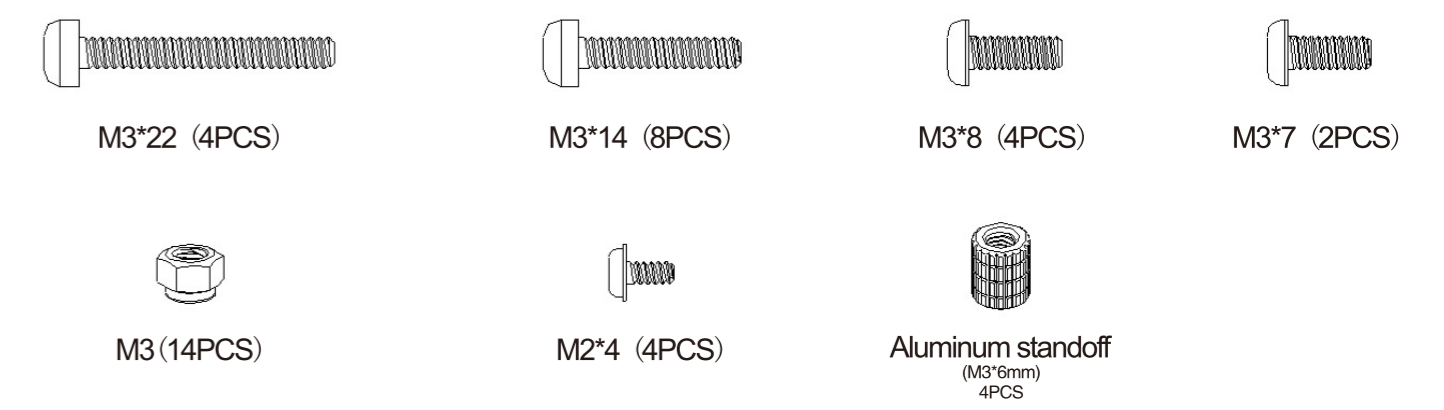
### PART LIST

Holybro

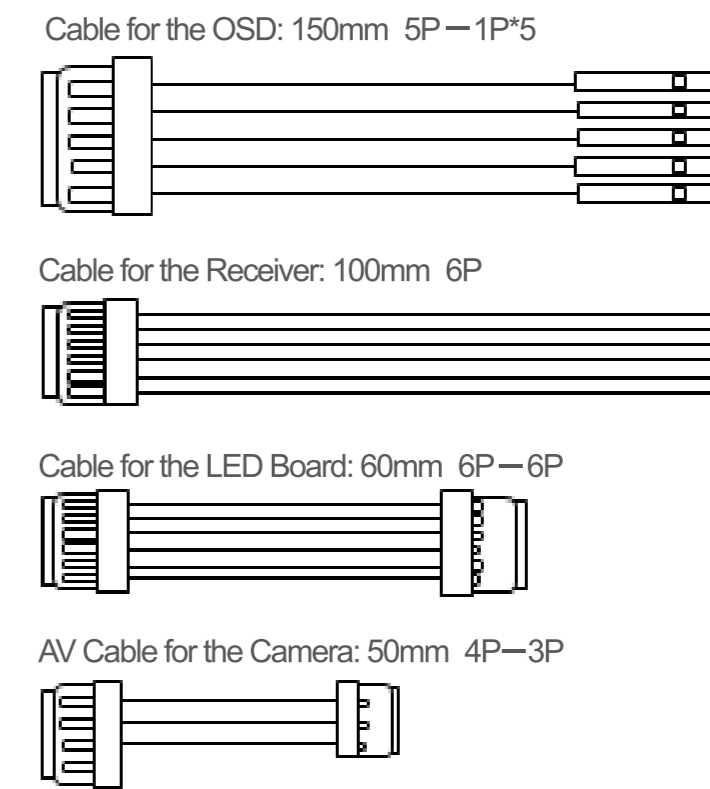


### PART LIST

Holybro



#### > CABLES



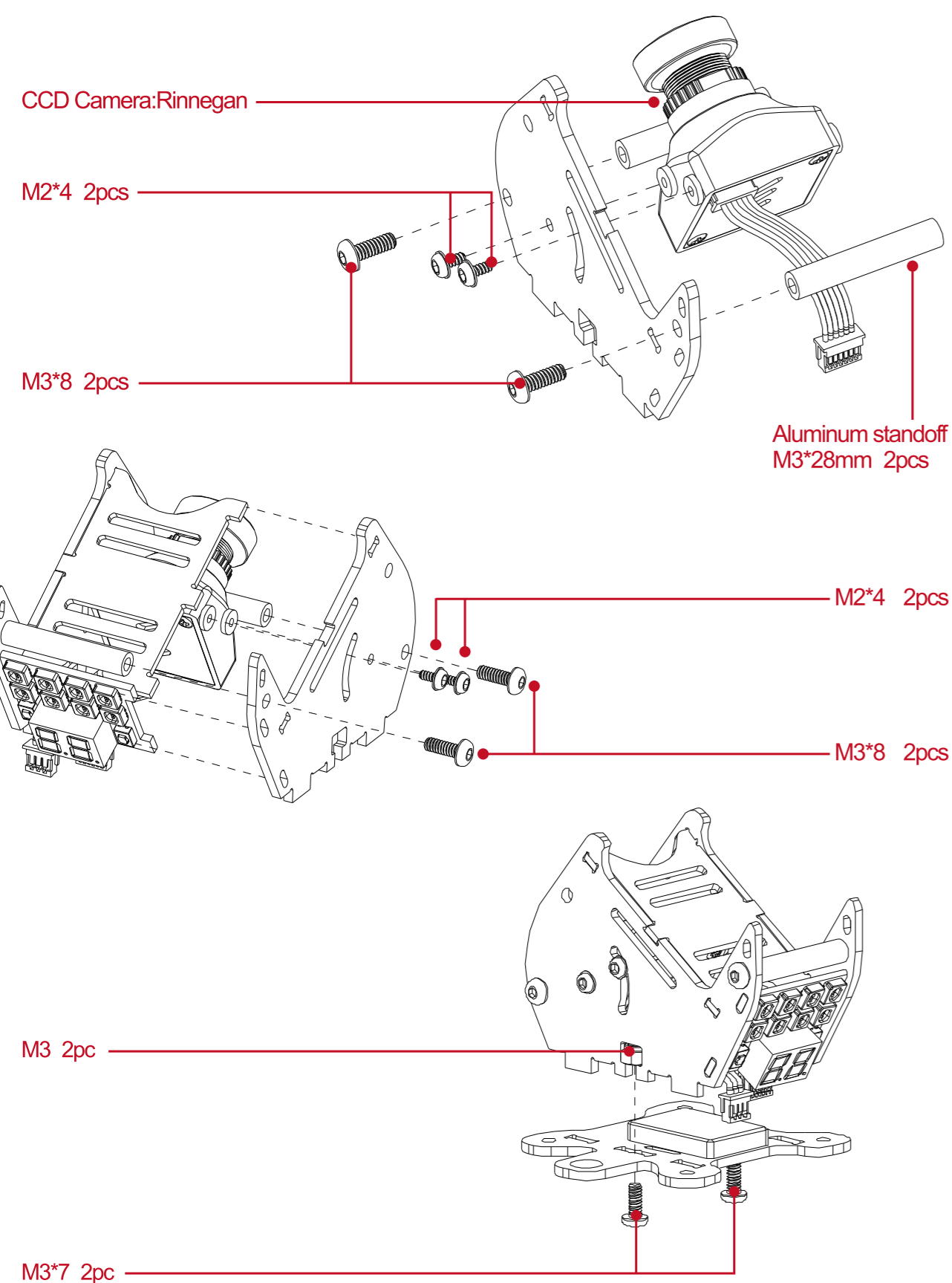
#### > TOOLS

(1) 1.5mm hex key (2) 2mm hex key (3) 5.5mm wrench (4) Long nose pliers (5) 8mm wrench

- Pay attention to the direction of the carbon fiber plate.
- A Rinnegan camera is recommended here.
- Prevent the cables from being crushed.

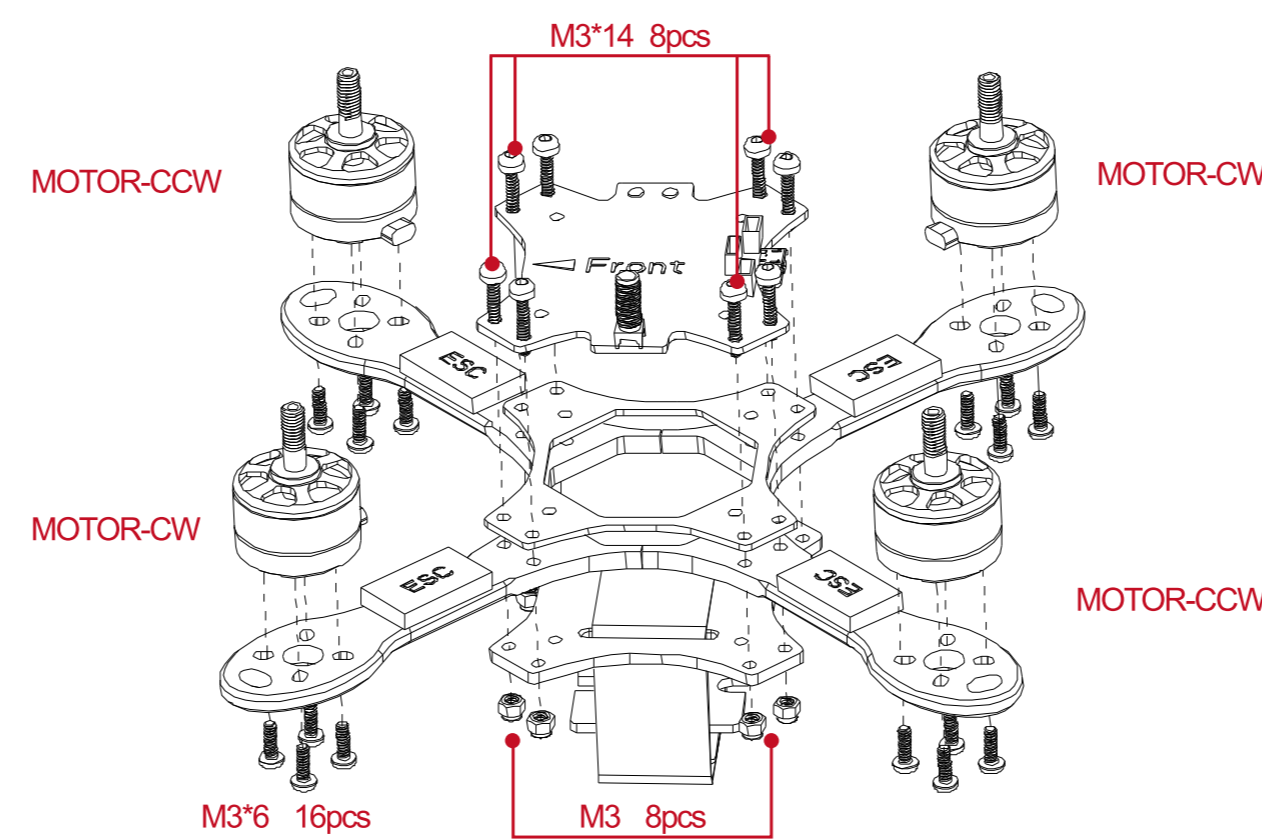
### STEP 1

Holybro

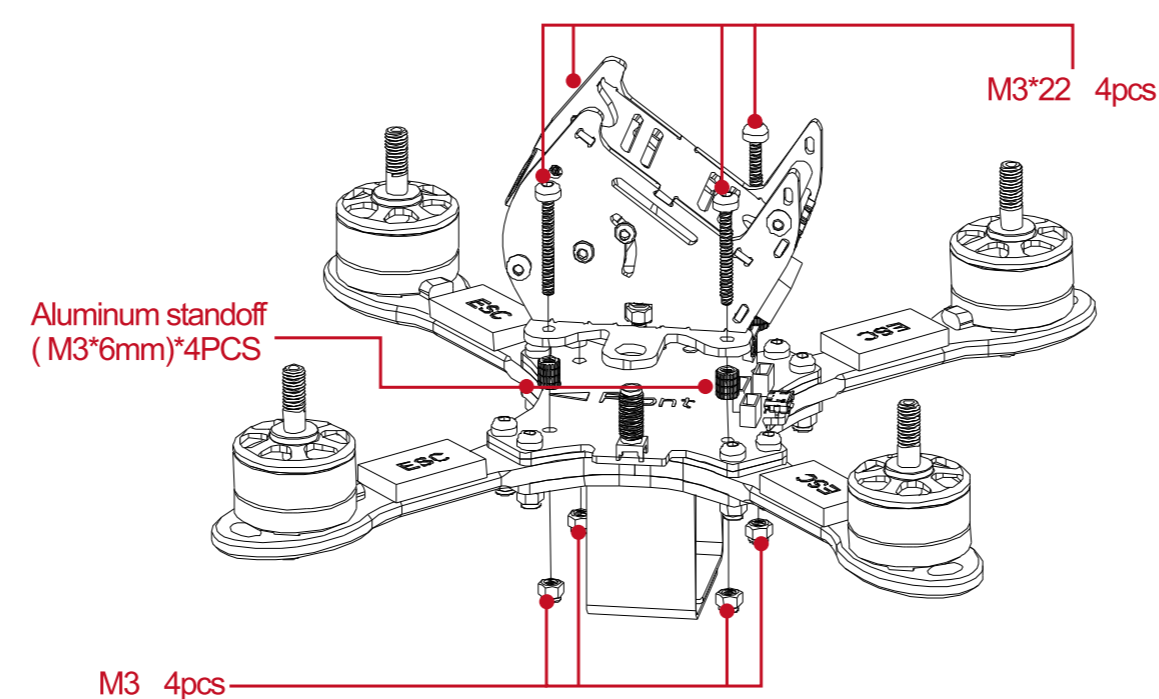


### STEP 2

Holybro

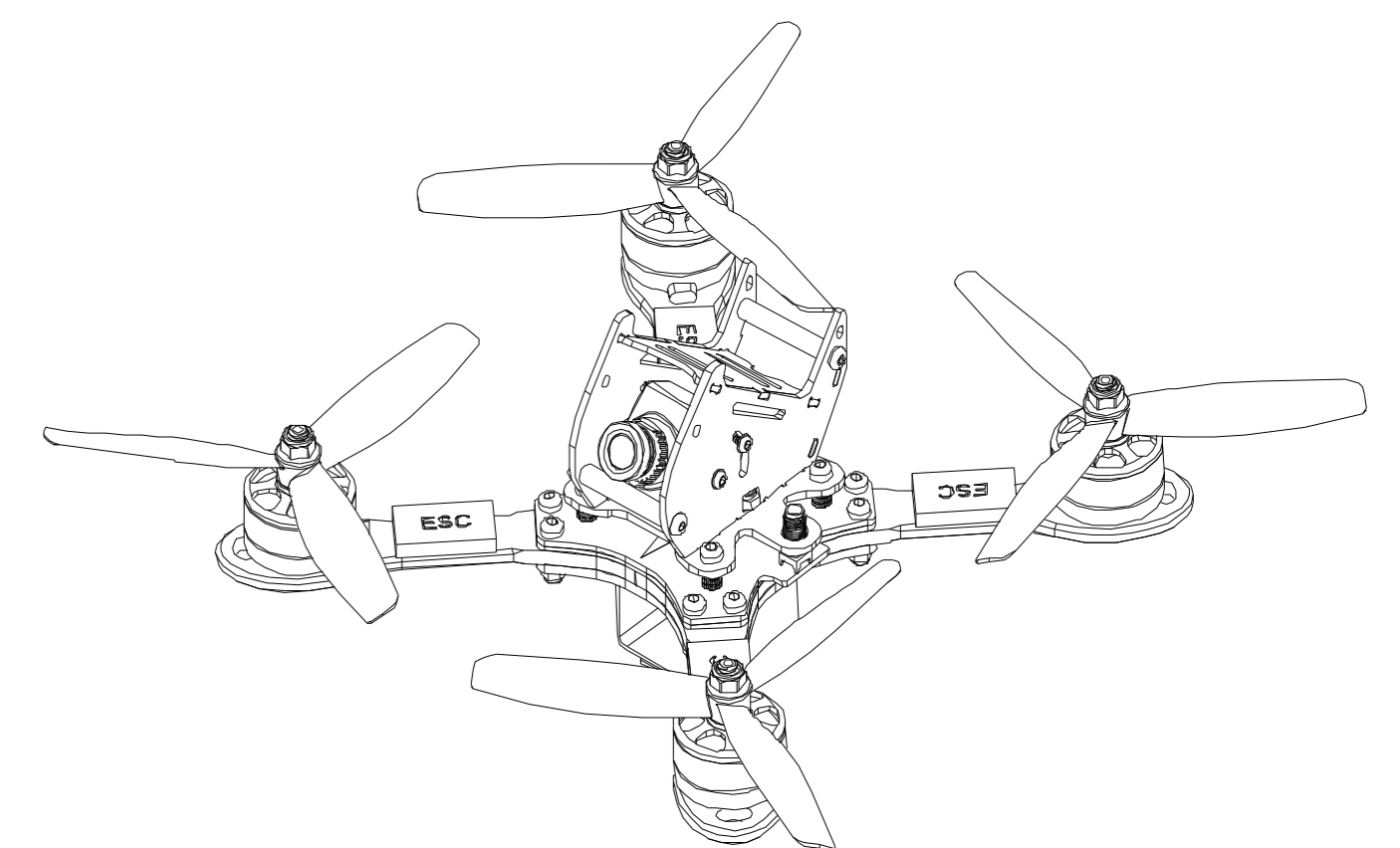


The arrow indicates the direction of the front.



### STEP 3

Holybro



Assembly complete! Mount the antenna before you power on the quad.



- Do not touch the electrostatic-sensitive main board or the LED board without wearing the anti-static gloves or the wrist strap.
- Please pay attention to avoid the collision of the main board components when assembling the quad.
- Please make sure there is no solder short.