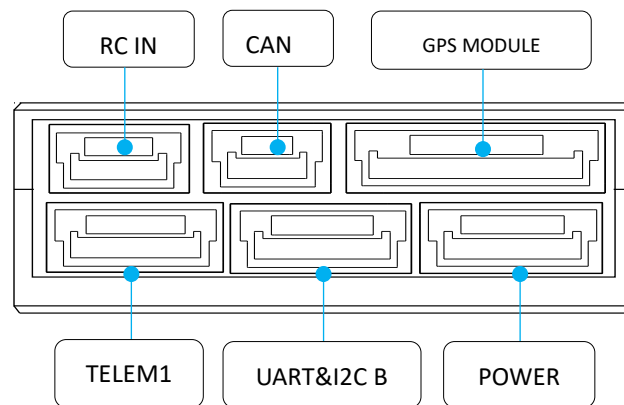


pixhawk[®] 4 mini

Pinouts

Front



RC IN port

Pin	Signal	Volt
1(red)	VDD_5V_SBUS_RC	+5V
2(yellow)	SBUS*	+3.3V
3(null)	RSSI**	+3.3V
4(null)	VDD_3V3_SPEKTRUM	+3.3V
5(black)	GND	GND

*Connect SBUS or DSM/Spektrum receivers signal wire connect here.

**Sends the RC signal strength info to autopilot.

CAN port

Pin	Signal	Volt
1(red)	VCC	+5V
2(black)	CANH	+3.3V
3(black)	CANL	+3.3V
4(black)	GND	GND

GPS MODULE ports

Pin	Signal	Volt
1(red)	VCC	+5V
2 (black)	TX (out)	+3.3V
3(black)	RX (in)	+3.3V
4(black)	SCL1	+3.3V
5(black)	SDA1	+3.3V
6(black)	SAFETY_SWITCH	+3.3V
7(black)	SAFETY_SWITCH_LED	+3.3V
8(black)	VDD_3V3	+3.3V
9(black)	BUZZER-	0V/5V
10(black)	GND	GND

UART & I2C B * ports

Pin	Signal	Volt
1(red)	VCC	+5V
2(black)	TX (out)	+3.3V
3(black)	RX (in)	+3.3V
4(black)	SCL2	+3.3V
5(black)	SDA2	+3.3V
6(black)	GND	GND

*A spare port for connecting sensors supporting serial communication or I2C e.g. a second GPS module can be connected here.

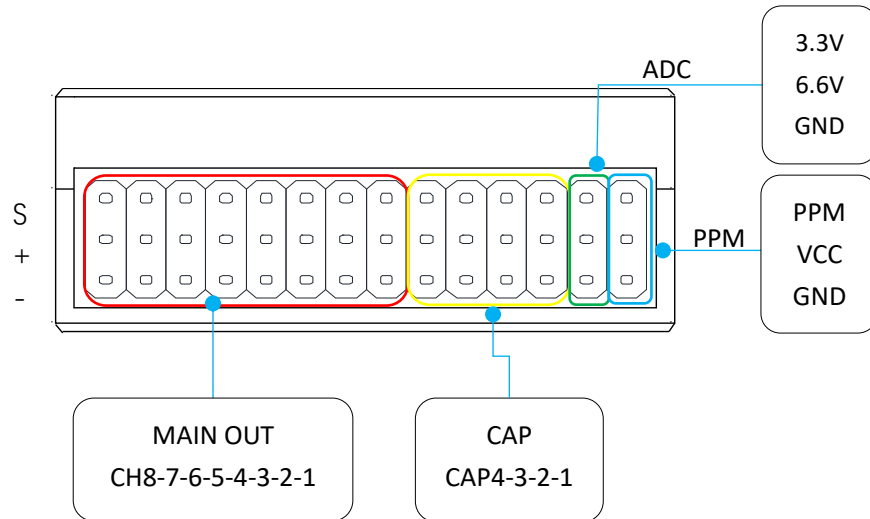
TELEM port *

Pin	Signal	Volt
1(red)	VCC	+5V
2(black)	TX (out)	+3.3V
3(black)	RX (in)	+3.3V
4(black)	CTS (in)	+3.3V
5(black)	RTS (out)	+3.3V
6(black)	GND	GND

POWER port

Pin	Signal	Volt
1(red)	VCC	+5V
2 (black)	VCC	+5V
3(black)	CURRENT	+3.3V
4(black)	VOLTAGE	+3.3V
5(black)	GND	GND
6(black)	GND	GND

Back



MAIN OUT

Pin	Signal	Volt	+	-
1	FMU_CH1	+3.3V	VDD_SERVO	GND
2	FMU_CH2	+3.3V	VDD_SERVO	GND
3	FMU_CH3	+3.3V	VDD_SERVO	GND
4	FMU_CH4	+3.3V	VDD_SERVO	GND
5	FMU_CH5	+3.3V	VDD_SERVO	GND
6	FMU_CH6	+3.3V	VDD_SERVO	GND
7	FMU_CH7	+3.3V	VDD_SERVO	GND
8	FMU_CH8	+3.3V	VDD_SERVO	GND

PPM

Pin	Signal	Volt
S	PPM	+3.3V
+	VCC	+5V
-	GND	GND

ADC

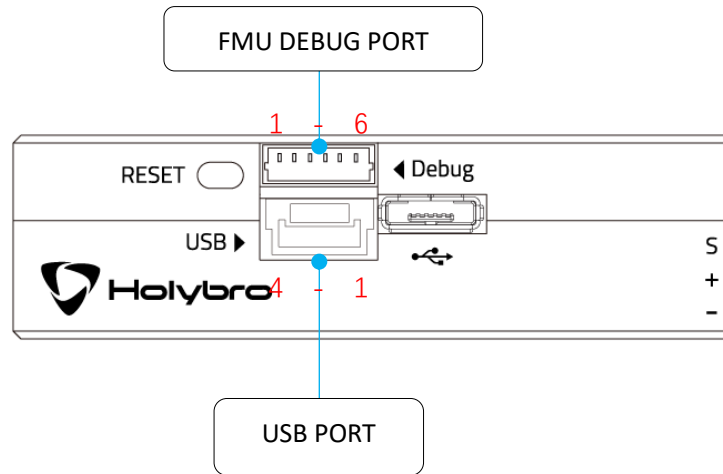
Pin	Signal	Volt
3.3V	ADC1_SPARE_1	+3.3V*
6.6V	ADC1_SPARE_2	+6.6V*
GND	GND	GND

* **WARNING:** Sensors connected to this pin should not send a signal exceeding this voltage!

CAP

Pin	Signal	Volt		
1	FMU_CAP1	+3.3V	+5V	GND
2	FMU_CAP2	+3.3V	+5V	GND
3	FMU_CAP3	+3.3V	+5V	GND
4	TIM5_SPARE_4	+3.3V	+5V	GND

Left



FMU DEBUG port

Pin	Signal	Volt
1(red)	VT	+3.3V
2(black)	TX	+3.3V
3(black)	RX	+3.3V
4(black)	SWDIO	+3.3V
5(black)	SWCLK	+3.3V
6(black)	GND	GND

USB port

Pin	Signal	Volt
1(red)	VBUS	+5V
2(black)	DM	+3.3V
3(black)	DP	+3.3V
4(black)	GND	GND