

# X500 Frame Kit

## Assembly Guide



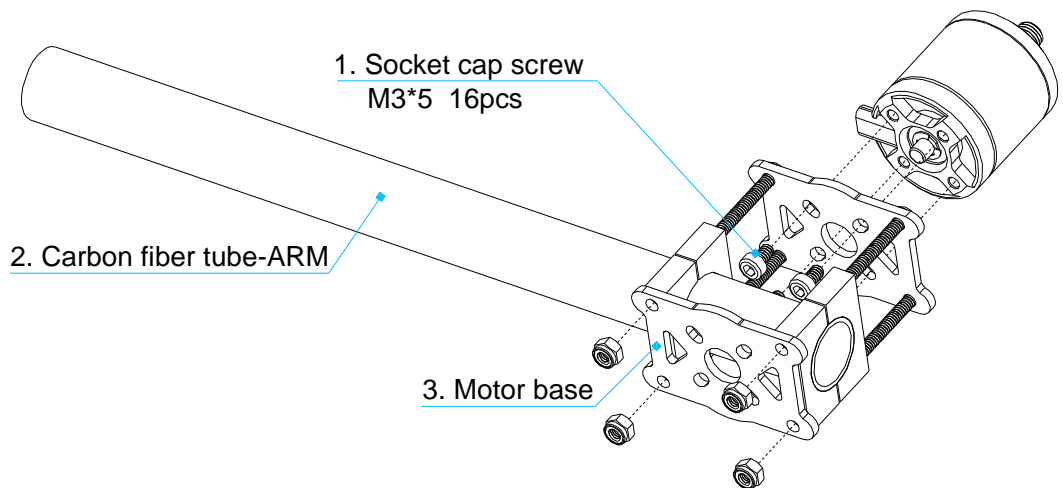
### PART LIST

NO.	Name	Spec	Qty(pcs)
1	Socket cap screw	Used for motor fixing, stainless steel screw M3*5	16
2	Carbon fiber tube- ARM	Diameter: 16mm length: 200mm	4
3	Motor base	Consists of 6 parts and 4 screws 4 nuts	4
4	Side bar	Diameter: 10mm length: 250mm	2
5	Battery mounting board	Thickness: 2mm	1
6	Battery Pad	3mm Silicon sheet black	1
7	Pylons	Engineering plastic embedded with copper nut	2
8	Cross countersunk head screw	Stainless steel M2.5*5mm	12
9	PAN/TILT platform board	Thickness: 2mm	1
10	Hanger rubber ring gasket	Inner hole diameter: 10mm black	8
11	Hanger	Engineering plastic embedded with copper nut	8
12	Carbon fiber - Bottom plate	The thickness of 2mm	1
13	Socket cap screw	Stainless steel M2.5*6mm	8
14	Nylon stud	Black M3*6+6	4
15	Nylon screw	Black M3*6	4
16	Carbon fiber - Top plate	Thickness: 1.5mm	1
17	Pan head screw	Metal black M3*30mm	16
18	Nylon strap	U- shape, of 16mm carbon fiber tube	16
19	Nylon nut	Black M3	4
20	Locknut	Metal black M3	16
21	Socket cap screw	Metal black M3*8mm	8
22	Landing gear- Vertical pole	Carbon fiber tube+engineering plastic+fastener	2
23	Landing gear- Cross bar	Composed of carbon fiber tube and multiple parts	2

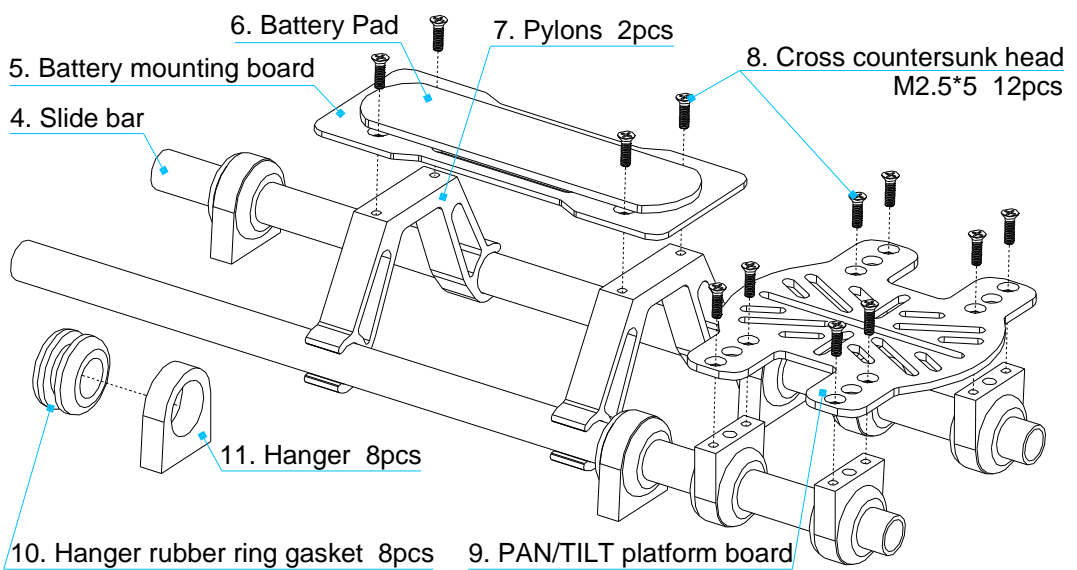
P  
A  
R  
T  
S  
  
P  
H  
O  
T  
O



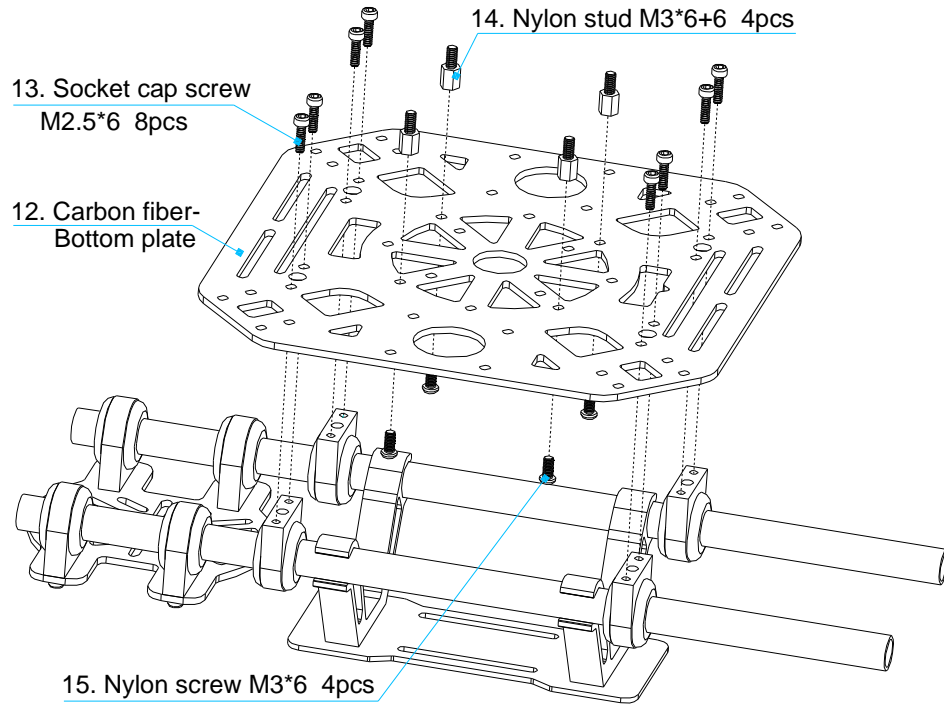
S  
T  
E  
P  
①



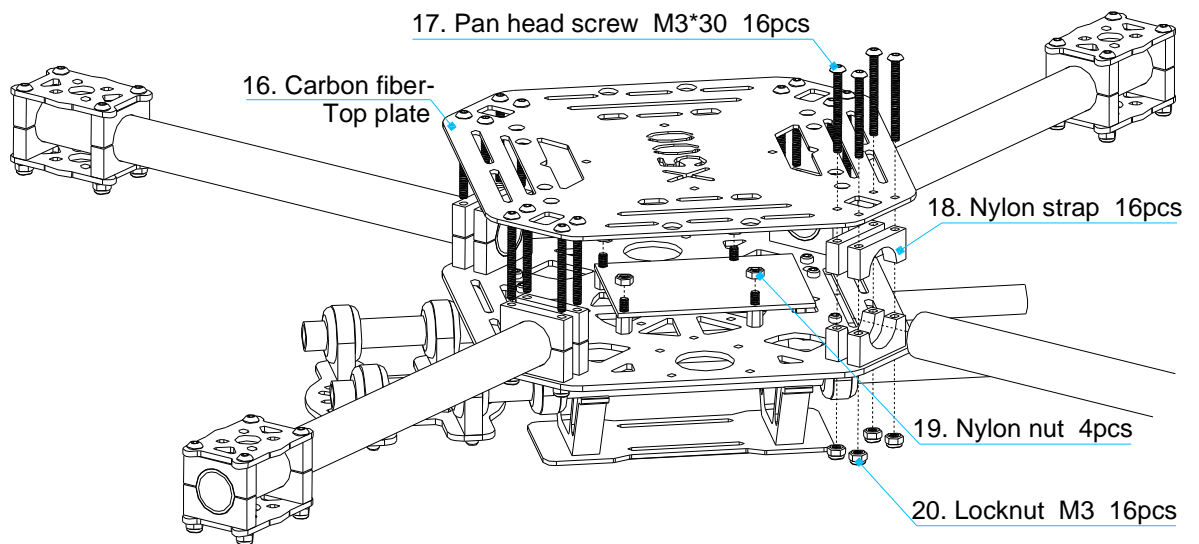
S  
T  
E  
P  
②



S  
T  
E  
P  
③



S  
T  
E  
P  
④



S  
T  
E  
P  
⑤

