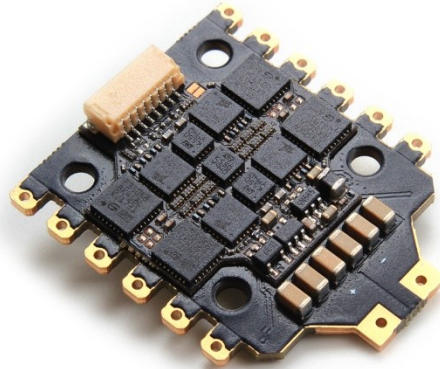


#31020

Tekko32 F3 4in1 mini ESC(45A)



BLHELI32 / F3 MCU/4x 45A

The New BLHELI32 ESC adapted the F3 MCU, which will provide a smoother control and faster response speed. 4x 45A F3 BLHELI32 ESC in 20x20 standard .

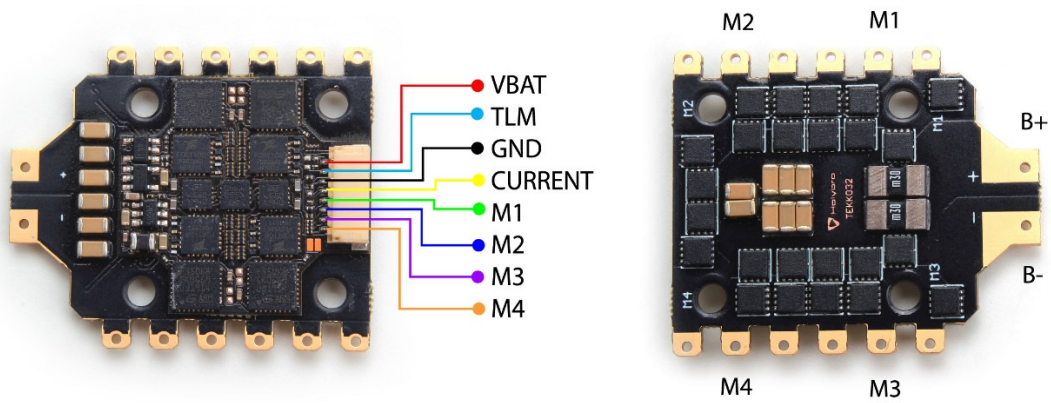
The latest Tekko32 F3 4in1 mini ESC has got some improvements on its performance:

The PCB design uses a design in which the drive circuit and the control circuit are separated. This design broadens the overcurrent capability of the drive circuit, and at the same time reduces the electrical interference to the control circuit.

SPEC:

- F3 MCU, double the speed of F051
- 32bit ESC with BLHELI32 firmware
- Supports 3-6S lipo input
- Default PWM output 96K
- Amperage meter scale ratio has been adjusted to 185.
- PWM input, TLM supported
- Voltage output (VBAT)
- NO output BEC
- Supports oneshot / Multishot / Dshot PWM
- Supports damped light
- Ext. cap needed for 6s (1000uf 35v for 6s usage.)
- Mounting holes: 20x20mm(M3)
- Size:32 x 38 mm
- Weight: 8g

PIN MAP:



Package included:

- Tekko32 F3 4in1 mini ESC(45A) *1
- M2 Anti-Vibration Silicone Grommet Insert *4
- Electrolytic capacitor: 1000uF 35v *1
- 8pin to 8pin 1mm pitch 65mm cable *1
- 8pin to 8pin 1mm pitch 25mm cable *1

Some Tips:

- [BLHeli_32 ESC Firmware Overview](#)
- [GitHub](#)