



FB1 HD SPARE TIRE CARRIER (UP TO 40IN SPARE TIRE)

INSTALLATION INSTRUCTIONS

PART NO. RS-FTC-021

Fits:

2021-2024 FORD BRONCO



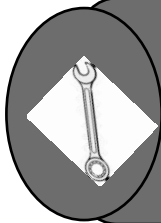
90-180 min
Installation time is
different according to
individual person.



Cutting Not Required



Drilling Not Required



TOOLS REQUIRED

- ALLEN WRENCH
- SCREW DRIVER
- TORQUE WRENCH
- RATCHET SOCKET SET
- TRIM PANEL REMOVAL TOOL



DO NOT OVER TORQUE. PLEASE FOLLOW THE TIGHTEN OPERATING LOAD STANDARD BELOW:

- 6mm BOLTS & NUTS:** FROM 7 TO 8.5 FOOT POUND.
- 8mm BOLTS & NUTS:** FROM 18 TO 20 FOOT POUND.
- 10mm BOLTS & NUTS:** FROM 35 TO 40 FOOT POUND.
- 12mm BOLTS & NUTS:** FROM 60 TO 70 FOOT POUND.






















TO PROTECT YOUR INVESTMENT, DO NOT USE ANY TYPE OF POLISH OR WAX THAT MAY CONTAIN ABRASIVES THAT COULD DAMAGE THE FINISH. MILD SOAP MAY BE USED TO CLEAN THE PRODUCT.

PARTS LIST:

Description	Qty	Image	Remark
Spare Tire Carrier Assembly	1		
Brake Light Relocation Bracket	1		
Rubber Bumper Relocation Brackets	2		
Tire Mounting Bracket W- Lug Bolts	1		
Tire Carrier Bracket	1		
Tire Mounting Spacer	1		
Camera Sleeve	1		
12-1.75mm x 40mm Double Bolt Plates	3		

**FB1 HD SPARE TIRE CARRIER
2021-2024 FORD BRONCO
(FITS UP TO 40x15.5" TIRE WITH -18 TO +18 OFFSET WHEELS)**

Description	Qty	Image	Remark
12mm Plastic Retainers	3		
12mm x 37mm x 3mm Flat Washers	6		
12mm Nylon Lock Nuts	6		
Plastic Plugs	2		
Edge Trim	1		
8mm Plastic Retainers	8		
8mm Double Bolt Plates	2		
8mm Single Bolt Plates	4		
8-1.25mm x 25mm Hex Bolts	8		
8-1.25mm x 35mm Hex Bolts	4		
8mm x 22mm x 2mm Flat Washers	20		
8mm Lock Washers	12		
8mm Nylon Lock Nuts	8		
6-1.0mm x 20mm Hex Bolts	4		
6mm x 18mm x 1.6mm STD Flat Washers	10		
6mm Lock Washers	4		
6mm Hex Nuts	4		
6mm x 25mm Self Tapping Screws	2		
8mm Allen Wrench	1		

**FB1 HD SPARE TIRE CARRIER
2021-2024 FORD BRONCO
(FITS UP TO 40x15.5" TIRE WITH -18 TO +18 OFFSET WHEELS)**

PROCEDURE:

REMOVE CONTENTS FROM BOX. VERIFY ALL PARTS ARE PRESENT. READ INSTRUCTIONS CAREFULLY BEFORE STARTING INSTALLATION. ASSISTANCE IS RECOMMENDED.

1. Open the rear door and remove both plastic covers from the back of the door, **(Figure 1)**. **NOTE:** Use a non-marring automotive panel tool to carefully pry up the sides of the cover to remove.
2. Disconnect the outer wire harness leading to the CHMSL, (3rd brake light), and the camera if equipped, **(Figure 2)**. Pull the wire harness and grommet back through the outer door, **(Figure 3)**. Close the door.
3. With assistance, remove the spare tire and spare tire mount assembly, (with light and camera), from the door, **(Figures 3 & 17)**.
4. Open the rear door and remove the plastic cover from the right side of the door opening, **(Figure 4)**. Remove the wiring harness from inside the door. Remove the door assist strut from the bottom of the door, **(Figure 5)**. **NOTE:** Pop "open" the metal clip on each ball socket to remove the door assist strut. **IMPORTANT:** To prevent damage to vehicle, have assistant hold door while removing door assist strut.
5. With door held in place by assistant, remove the (4) hinge bolts attaching the inner hinges to the side of the body and slide the door off the vehicle, **(Figure 4)**. Move door to a clean, stable surface.
6. Remove both rubber bumpers from the door, **(Figure 6)**. Use the included (2) Plastic Plugs to plug the holes in the door, **(Figure 7)**.
7. Remove the hinges from the right/passenger side of the rear door, **(Figure 7)**.
8. Unwrap the Tire Carrier Base. Select (1) 8mm Single Bolt Plate and (1) 8mm Plastic Retainer. Insert the Bolt Plate through the upper hole on the back of the Tire Carrier Base, **(Figure 8)**. Thread the Plastic Retainer onto the Bolt Plate to help hold in position. Repeat this **Step** to install the remaining (3) Single Bolt Plates in the upper mounting holes.
9. Select (1) 8mm Double Bolt Plate and (2) Plastic Retainers. Insert the Double Bolt Plate through the lower holes in the Tire Carrier Base, **(Figure 8)**. Thread the Plastic Retainers onto the Bolt Plate. Repeat this **Step** to install the remaining Double Bolt Plate.
10. Push the included Edge Trim onto the top edge of the Tire Carrier Base, Attach the included (2)8mmx25mm Hex Bolts (2) 8mm Lock Washers (2) 8mm Flat Washers to the car carrier. **(Figure 9)**.
11. Attach the hinge side of the Tire Carrier Base to the right side of the rear door with the included (4) 8mm x 35mm Hex Bolts, (4) 8mm Lock Washers and (4) 8mm Flat Washers, **(Figures 10 & 11)**. Leave hardware loose at this time. Reuse the factory hardware to attach the Tire Carrier Base to the center of the rear door, **(Figures 10 & 12)**. Snug but do not fully tighten hardware at this time.

**FB1 HD SPARE TIRE CARRIER
2021-2024 FORD BRONCO
(FITS UP TO 40x15.5" TIRE WITH -18 TO +18 OFFSET WHEELS)**

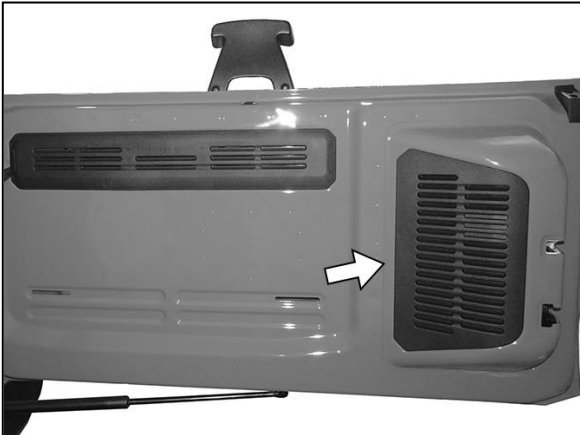
12. With assistance, lift up the rear door and line it up with the mounting location on the vehicle. Reuse the factory hardware to reattach the hinges on the Tire Carrier Base to the door opening, **(Figure 13)**.
IMPORTANT: Door with Tire Carrier is heavy; assistance is required to lift and hold door.
13. Attach the rear door assist strut and reinstall wiring harness in the door.
14. Slowly open and close the rear door to check for proper alignment. Align and adjust Tire Carrier and rear door to vehicle as necessary and tighten all hardware, **(Figure 14)**. Use the included Wrench to adjust and tighten the Hinge Bolts as necessary.
15. Select (1) Rubber Bumper Relocation Bracket. Attach the Bracket to the holes in the driver/left side of the Tire Carrier with the included (2) 8mm x 25mm Hex Bolts, (2) 8mm Lock Washers and (2) 8mm Flat Washers, **(Figure 15)**. Leave hardware loose. Repeat to attach the remaining Bracket to the bottom of the Tire Carrier. Push the factory rubber bumpers into the holes in the Brackets, **(Figure 29)**.
16. Select the CHMSL Relocation Bracket. Attach the Bracket to the top of the Tire Carrier Base with the included (2) 8mm x 25mm Hex Bolts, (2) 8mm Lock Washers and (2) 8mm Flat Washers, **(Figure 16)**.
17. Remove the CHMSL light and mount from the top of the factory tire mount, **(Figures 17 & 18)**.
18. Remove the screws from the CHMSL light mount to disassemble the mount, **(Figure 19)**. Unplug and remove the wiring harness from the light and mount.
 - a. Models with back-up camera, remove the (2) screws from the front of the mount, **(Figure 20)**.
 - b. Remove the camera assembly from the back/inside of the factory plastic tire mount, **(Figure 21)**.
Remove the camera from the steel bracket, **(Figure 22)**.
 - c. Unplug the wiring harness from the camera, **(Figure 22)**.
19. Insert the ends of the wiring harness for the camera and CHMSL into the opening in the side of the main Tire Carrier Base, **(Figure 24)**. Feed the CHMSL wiring harness up through the top of the Tire Carrier Base.
20. Reattach the wiring harness to the plastic light mount and reassemble the mount.
21. Attach the CHMSL light assembly to the back of the Relocation Bracket with the included (4) 6mm x 20mm Hex Bolts, (8) 6mm Flat Washers, (4) 6mm Lock Washers and (4) 6mm Hex Nuts, **(Figure 23)**. Insert the included (2) Self Tapping Screws (2) 6mm Flat washers through the Relocation Bracket and into the light assembly and tighten all hardware, **(Figure 23)**.
22. Select the Outer Tire Carrier Bracket. Use the included (8) 8mm Flat Washers and (8) 8mm Nylon Lock Nuts to attach the Outer Bracket to the Bolt Plates in the Tire Carrier Base, **(Figure 24)**. Fully tighten hardware at this time.
23. Next, select the Tire Mount. Attach the Tire Mount to the top of the Outer Bracket with (2) 12mm Double Bolt Plates, (4) 12mm Flat Washers and (4) 12mm Nylon Lock Nuts, **(Figure 25 & 27)**. Leave loose.

**FB1 HD SPARE TIRE CARRIER
2021-2024 FORD BRONCO
(FITS UP TO 40x15.5" TIRE WITH -18 TO +18 OFFSET WHEELS)**

24. Attach the side of the Tire Mount to the right/passenger side of the Outer Carrier Bracket with (1) 12mm Double Bolt Plate, (2) 12mm Flat Washers and (2) 12mm Nylon Lock Nuts, **(Figure 26 & 27)**. Do not fully tighten hardware at this time.
25. Models with camera,
 - a. Slide the Spacer Plate over the wheel bolts in the Tire Mount, **(Figures 28 & 29)**. Next, slide the camera over the wheel bolts and plug the camera wiring harness into the camera, **(Figure 30)**.
 - b. Slide the included Camera Sleeve over the camera and wheel bolts, **(Figure 28 & 31)**. Thread the included (3) 12mm Plastic Retainers onto the wheel bolts to hold the camera assembly in place against the Tire Mount.
26. Reinstall the outer harness and rubber grommet, **(Figure 22)**. Plug the CHMSL harness and camera back into the main harness and reinstall all plastic covers.
27. With assistance, attach the spare tire to the Tire Mount studs. Check the fit between the Rubber Bumpers and the tire, **(Figure 32)**. Adjust the Bumpers to support the tire. Tighten all hardware.
28. Do periodic inspections to the installation to make sure that all hardware is secure and tight.



**FB1 HD SPARE TIRE CARRIER
2021-2024 FORD BRONCO
(FITS UP TO 40x15.5" TIRE WITH -18 TO +18 OFFSET WHEELS)
Installation Pictured**



(Fig 1) Remove plastic cover from inside of rear door (arrow)



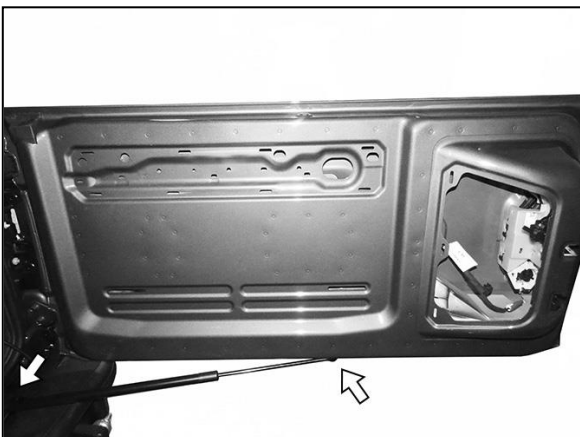
(Fig 2) Disconnect wire harnesses leading to the camera and CHMSL (3rd brake light). Release rubber grommet and pull outer harness through hole in rear door.



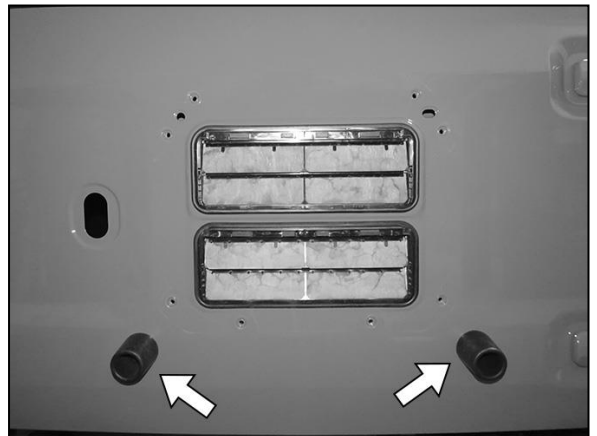
(Fig 3) Remove tire mount from rear door



(Fig 4) Remove the plastic cover (arrow). Remove inner wiring harness from rear door

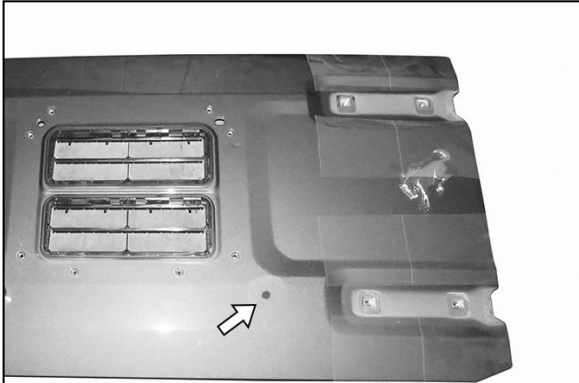


(Fig 5) Release metal clips and remove door strut from bottom of door and body, (arrows), With assistance, remove rear door

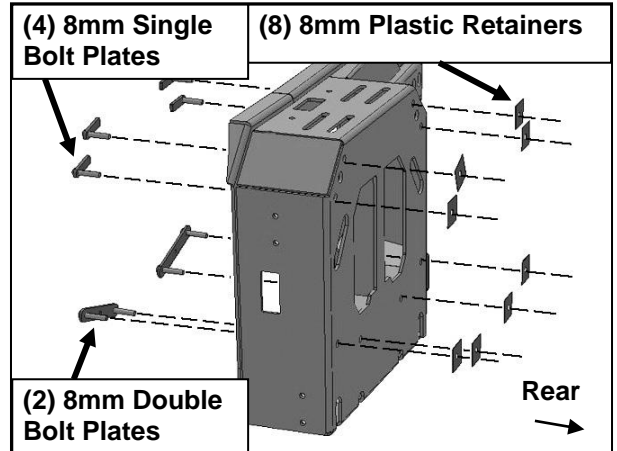


(Fig 6) Remove both rubber bumpers from rear door (arrows).

**FB1 HD SPARE TIRE CARRIER
2021-2024 FORD BRONCO
(FITS UP TO 40x15.5" TIRE WITH -18 TO +18 OFFSET WHEELS)
Installation Pictured**

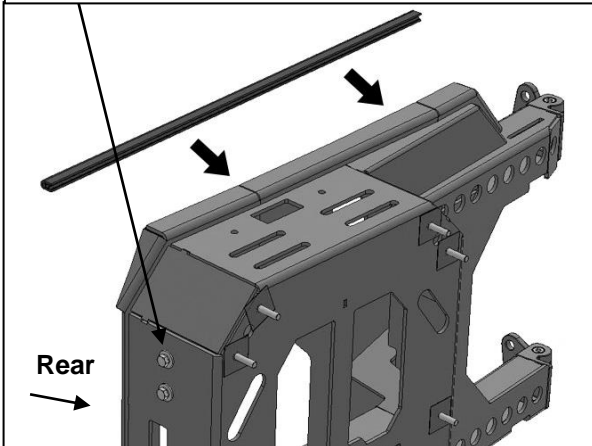


(Fig 7) Remove hinges from right side of door. Remove rubber bumpers (Fig 6). Fill holes with included Plastic Plugs, (arrow)



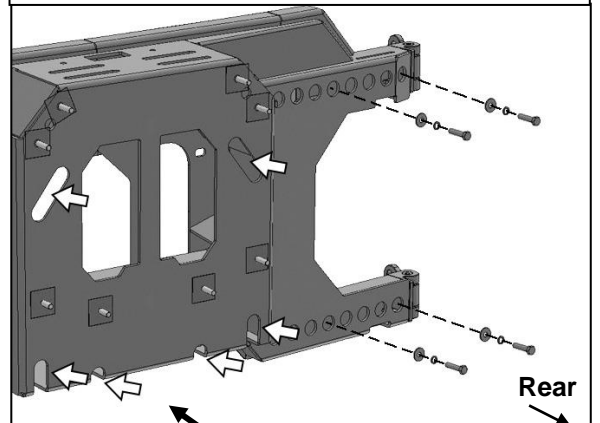
(Fig 8) Insert (4) 8mm Single Bolt Plates through upper mounting holes in the back of the Tire Carrier. Insert (2) 8mm Double Bolt Plates through the lower holes in the Tire Carrier. Thread the Plastic Retainers onto the Bolt Plates to hold the Bolt Plates in position.

- (2) 8mm x 25mm Hex Bolts
- (2) 8mm Lock washers
- (2) 8mm Flat washers



(Fig 9) Push the Edge Trim onto the top of the Tire Carrier

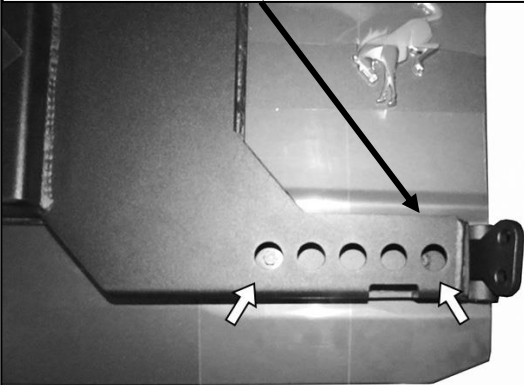
- (4) 8mm x 35mm Hex Bolts
- (4) 8mm Lock Washers
- (4) 8mm Flat Washers



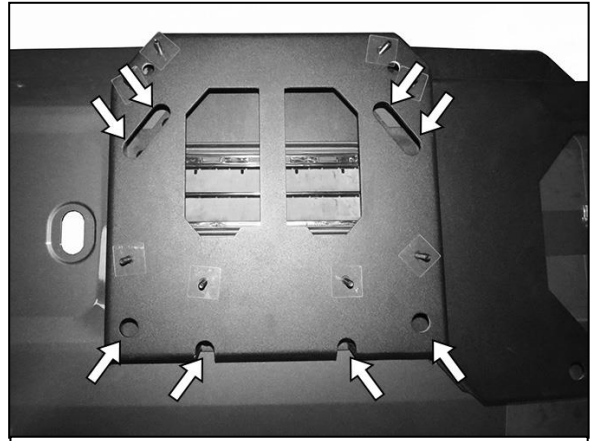
(Fig 10) Attach the Tire Carrier to the rear door. Reuse the factory hardware to attach the Tire Carrier to the center of the door (arrows-also see Fig 12)

**FB1 HD SPARE TIRE CARRIER
2021-2024 FORD BRONCO
(FITS UP TO 40x15.5" TIRE WITH -18 TO +18 OFFSET WHEELS)
Installation Pictured**

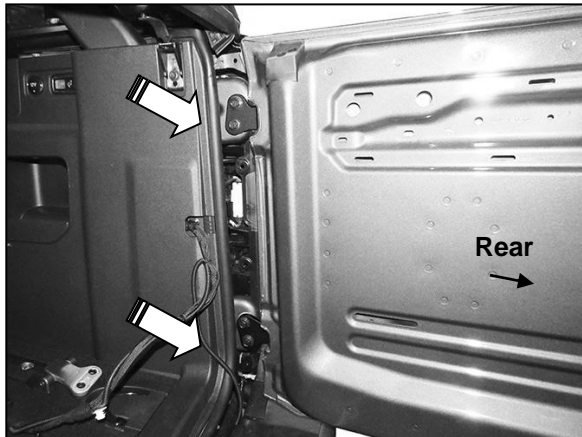
- (4) 8mm x 35mm Hex Bolts
- (4) 8mm Lock Washers
- (4) 8mm Flat Washers



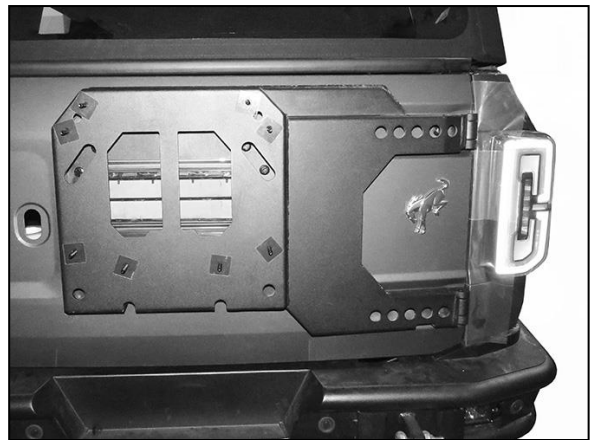
(Fig 11) Insert Hex Bolts into right side of Tire Carrier and into the top and bottom hinge mounting holes in the door (arrows-bottom hinge pictured. Also see Fig 10)



(Fig 12) Reuse the factory hex bolts to attach the center of the Tire Carrier to the mounting holes in the door (arrows -also see Fig 10)



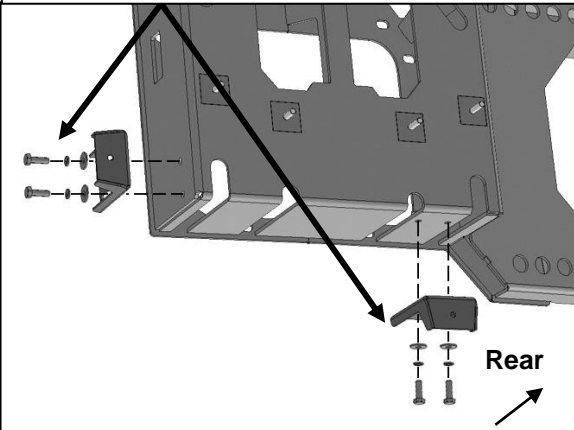
(Fig 13) With assistance, line up the hinges on the Tire Carrier and rear door with the vehicle. Reuse the factory hex bolts to attach the door to the vehicle



(Fig 14) Align and adjust the rear door to the vehicle

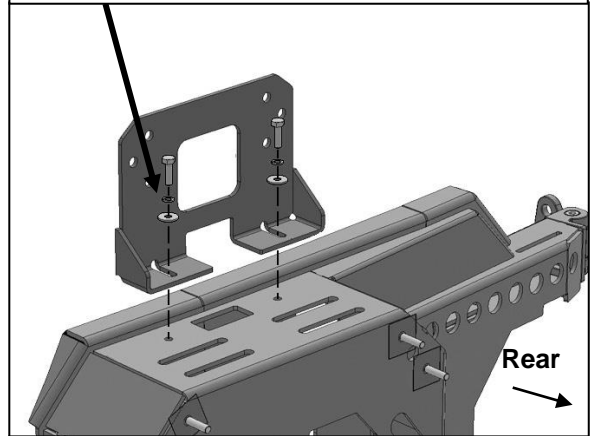
**FB1 HD SPARE TIRE CARRIER
2021-2024 FORD BRONCO
(FITS UP TO 40x15.5" TIRE WITH -18 TO +18 OFFSET WHEELS)
Installation Pictured**

- (4) 8mm x 25mm Hex Bolts
- (4) 8mm Lock Washers
- (4) 8mm Flat Washers



(Fig 15) Attach the (2) Bumper Relocation Brackets to the side and bottom of the Tire Carrier. Push the factory rubber bumpers into the Relocation Brackets. Use the included (2) Plastic Plugs to plug the mounting holes in the rear door

- (2) 8mm x 25mm Hex Bolts
- (2) 8mm Lock Washers
- (2) 8mm Flat Washers



(Fig 16) Attach the Light Relocation Bracket to the top of the Tire Mount



(Fig 18) Remove the brake light assembly from the top of the spare tire mount



(Fig 17) Remove the brake light assembly from the top of the spare tire mount



(Fig 19) Disassemble the brake light to unplug and remove the wiring harness

**FB1 HD SPARE TIRE CARRIER
2021-2024 FORD BRONCO
(FITS UP TO 40x15.5" TIRE WITH -18 TO +18 OFFSET WHEELS)
Installation Pictured**



(Fig 20) Models with camera, remove the (2) screws attaching camera housing to spare tire mount (arrows)

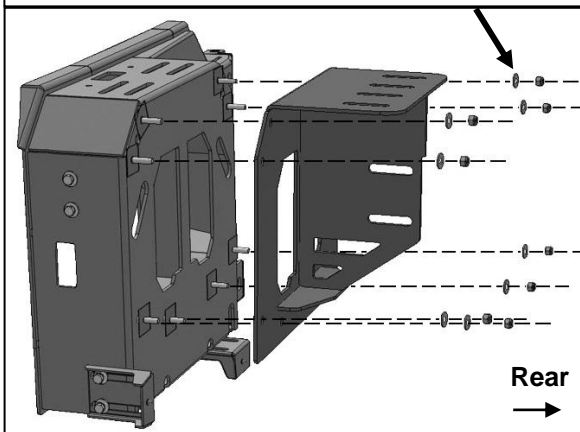


(Fig 21) Models with camera, pull camera assembly out of back of spare tire mount



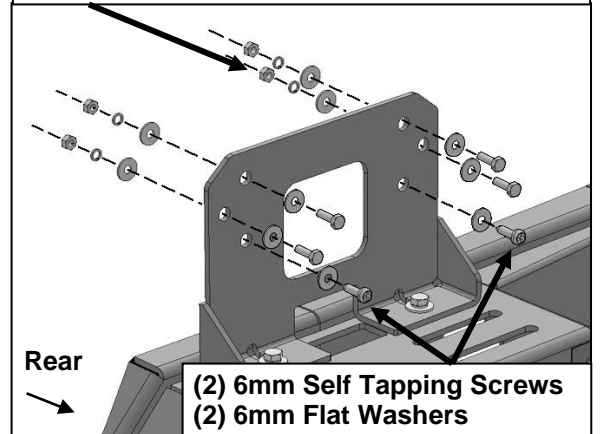
(Fig 22) Models with camera, unplug camera and separate camera from steel bracket

- (8) 8mm Flat Washers**
- (8) 8mm Nylon Lock Nuts**



(Fig 24) Attach Outer Tire Carrier Bracket to Bolt Plates in inner Tire Carrier Base. Insert the ends of the wiring harness for the camera and CHMSL into the opening in the side of the main Tire Carrier Base

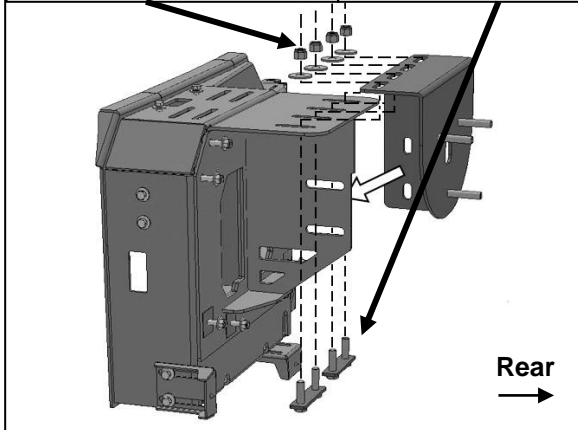
- (4) 6mm x 20mm Hex Bolts**
- (8) 6mm Flat Washers**
- (4) 6mm Lock Washers**
- (4) 6mm Hex Nuts**



(Fig 23) Attach the light assembly to the back of the Relocation Bracket (see Fig 22)

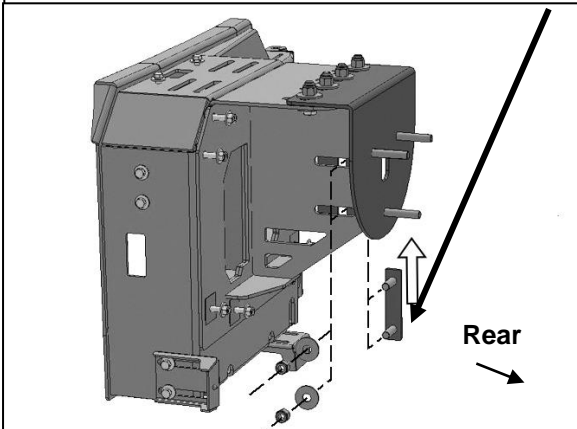
**FB1 HD SPARE TIRE CARRIER
2021-2024 FORD BRONCO
(FITS UP TO 40x15.5" TIRE WITH -18 TO +18 OFFSET WHEELS)
Installation Pictured**

- | | |
|---|-----------------------------|
| (4) 12mm Flat Washers
(4) 12mm Nylon Lock Nuts | (2) 12mm Double Bolt Plates |
|---|-----------------------------|

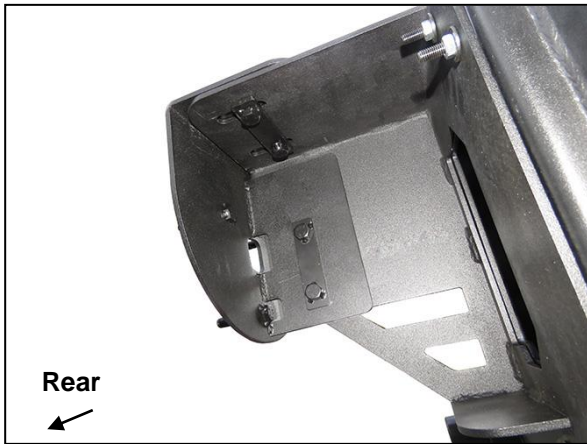


(Fig 25) Attach Tire Mount to the top of the outer Tire Carrier Bracket, (also see Fig 27)

- | |
|---|
| (1) 12mm Double Bolt Plate
(2) 12mm Flat Washers
(2) 12mm Nylon Lock Nuts |
|---|

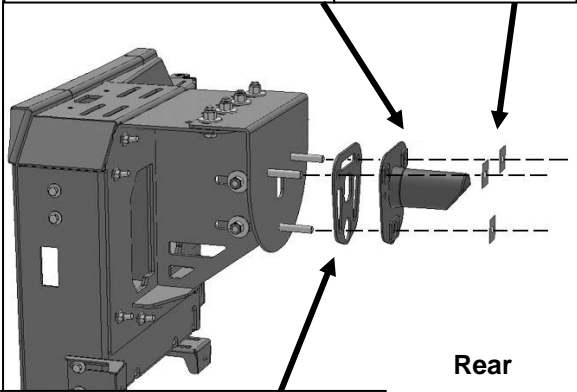


(Fig 26) Attach Tire Mount to the side of the Tire Carrier Bracket, (also see Fig 27)



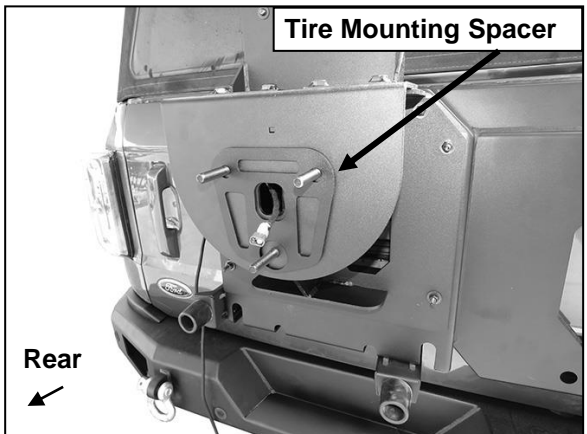
(Fig 27) Tire Mount attached to outer Tire Carrier Bracket

- | | |
|---|----------------------------|
| (1) Camera Sleeve
(camera not shown) | (3) 12mm Plastic Retainers |
|---|----------------------------|



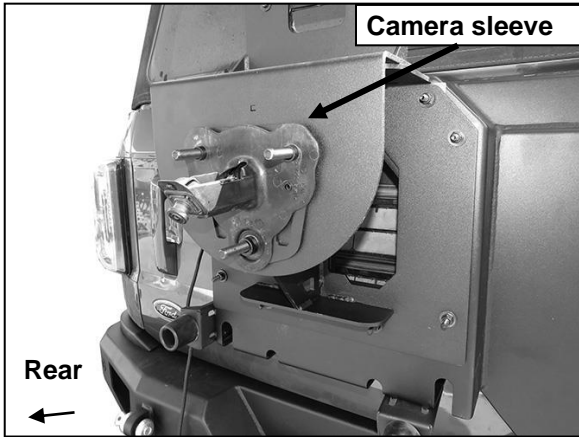
- | |
|--------------------------|
| (1) Tire Mounting Spacer |
|--------------------------|

(Fig 28) Slide Spacer, camera and outer Camera Sleeve over studs in Tire Mount. Thread Plastic Retainers onto studs to hold camera assembly in place on Mount

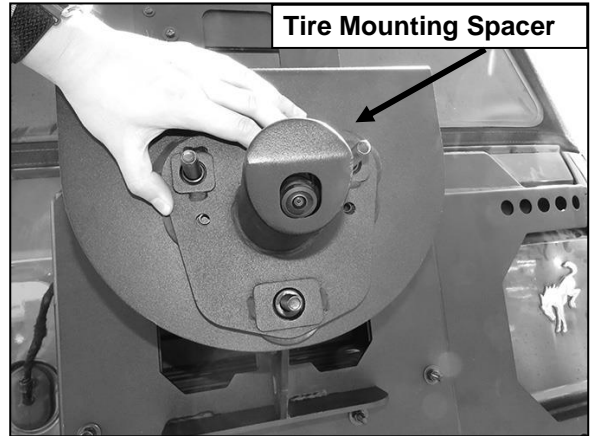


(Fig 29) Slide Spacer over studs in Tire Mount

**FB1 HD SPARE TIRE CARRIER
2021-2024 FORD BRONCO
(FITS UP TO 40x15.5" TIRE WITH -18 TO +18 OFFSET WHEELS)
Installation Pictured**



(Fig 30) Slide camera over Spacer and studs in Tire Mount



(Fig 31) Slide outer Camera Sleeve over camera and studs. Thread Plastic Retainers onto studs to help hold camera assembly in place on Mount (also see Fig 28)



(Fig 32) Adjust rubber bumpers in or out to support the spare tire

