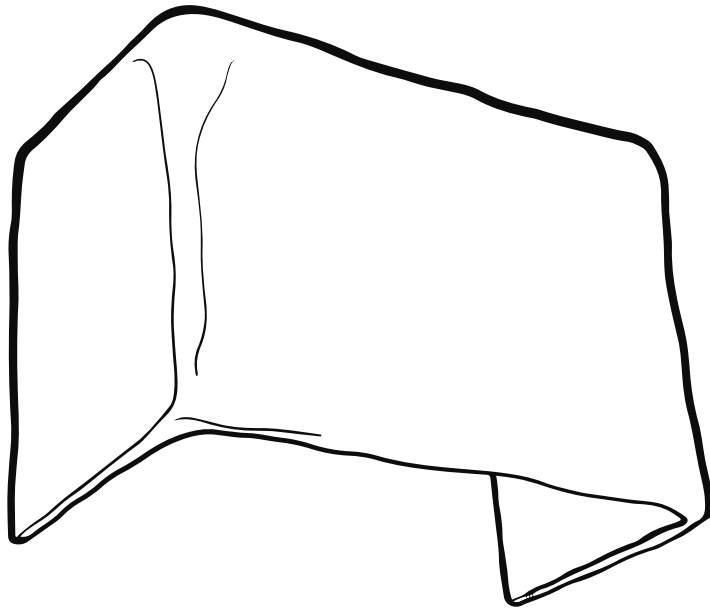


SCAPE WALL LIGHT
INSTALLATION MANUAL





WARNING

BEFORE INSTALLING

Please read and understand the provided step by step instructions thoroughly before proceeding with the installation. By taking these precautions and diligently following the provided guidelines, you will achieve a secure and successful installation.

1. Always remember to turn off the power supply to the circuit before commencing any installation work. Electrical installation tasks should exclusively be undertaken by an authorized electrical contractor. For professional guidance, please contact your local electricity authority.
2. Before installation, check the installation area for the presence of any other cables to prevent damage to concealed wiring.
3. When positioning the light fixture, ensure that the chosen area can adequately support its weight.
4. Please note that this fixture is designed for use in dry domestic indoor environments only.
5. Before installing or changing a G9 bulb, it's essential to switch off the mains power and allow the lamp to cool.
6. When handling the fixture, ensure the use of the provided gloves for safety and to prevent any marks on the surface.

CARE INSTRUCTIONS

Over time, the metal surface may diminish its original luster. Make sure your hands are clean before touching the metal surface to avoid leaving any fingerprint marks. It is advised to use gloves when handling the lighting fixture. Do not use any abrasive substances on the product. Please be wary of its weight.

To retain the original aluminium and brass finish, use metal polish with a soft, dry cloth and gently rub it onto the surface. Please refrain from using any polish on the patinated bronze finish, as this may result in the removal of the patina.

TECHNICAL DETAILS

Dimensions

W160 H120 D90 MM
W6.3 H4.7 D3.5 IN

Weight

1 kg - Aluminium
2 kg - Brass
2 kg - Bronze patina

Light source

IND/ UK/ EU
G9 LED bulb (Included)
2.6W
220-240V

US/ JPN
G9 LED bulb (not included)
Suggested wattage - Max
5W, 110-120V

Kelvin Rating
2700K

Classification
IP20

Lumen
320lm

Cord
Hardwire

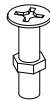
INSIDE THE BOX



M4 round head
screw X 2



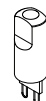
Canopy
screw X 3



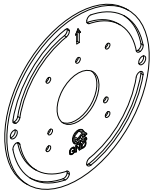
M4 screw with
hex nut X 3



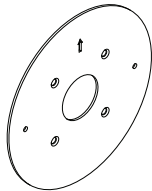
M4
screw X 4



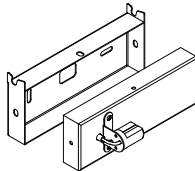
G9
Bulb X 1



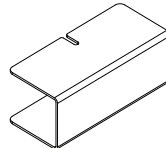
Crossbar
X 1



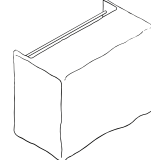
Mounting
plate X 1



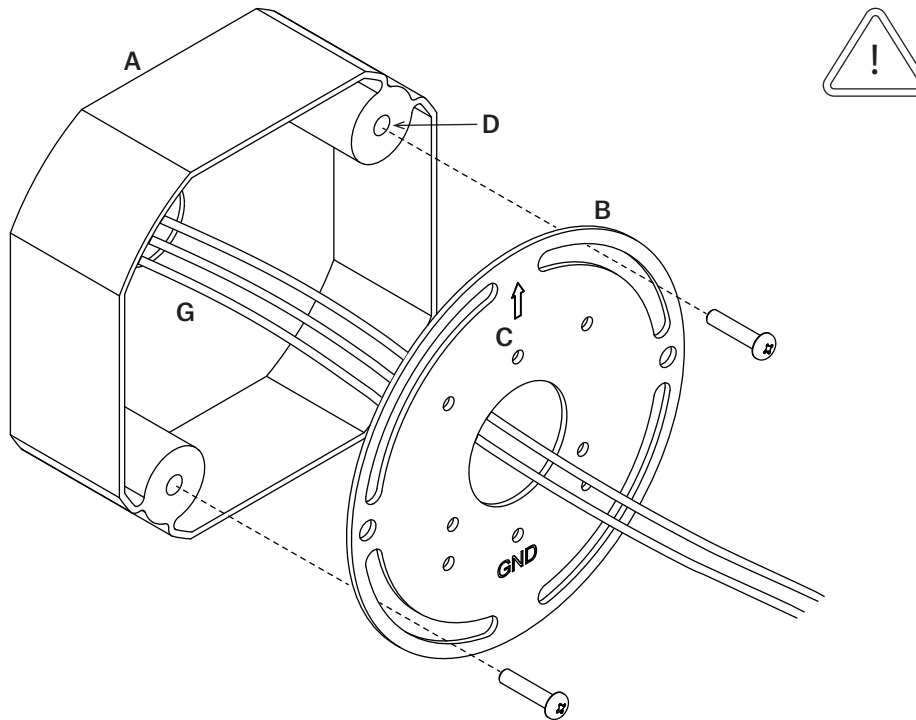
Canopy
casing X 1



Diffuser
X 1



Scape light
shade X 1

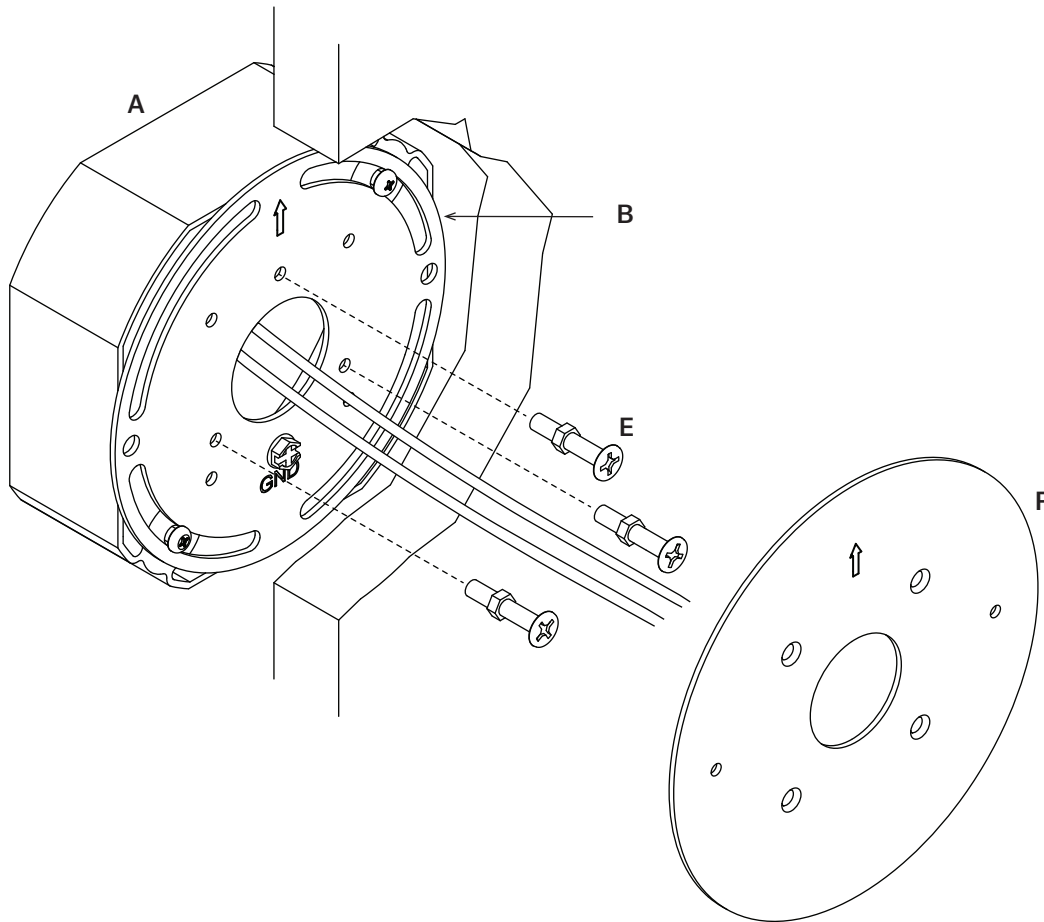


(Fig. 1)

STEP 1 Position and install the crossbar (B) on junction box

Align the crossbar (B) with the junction box's holes (D), ensuring the arrow (C) on the crossbar points upwards. Secure it in place using the screws (not provided with the fixture as J-boxes can vary). Connect the ground wire (G) to the grounding terminal (GND) on crossbar (Fig. 1).

⚠ *Ensure that the power is disconnected.*

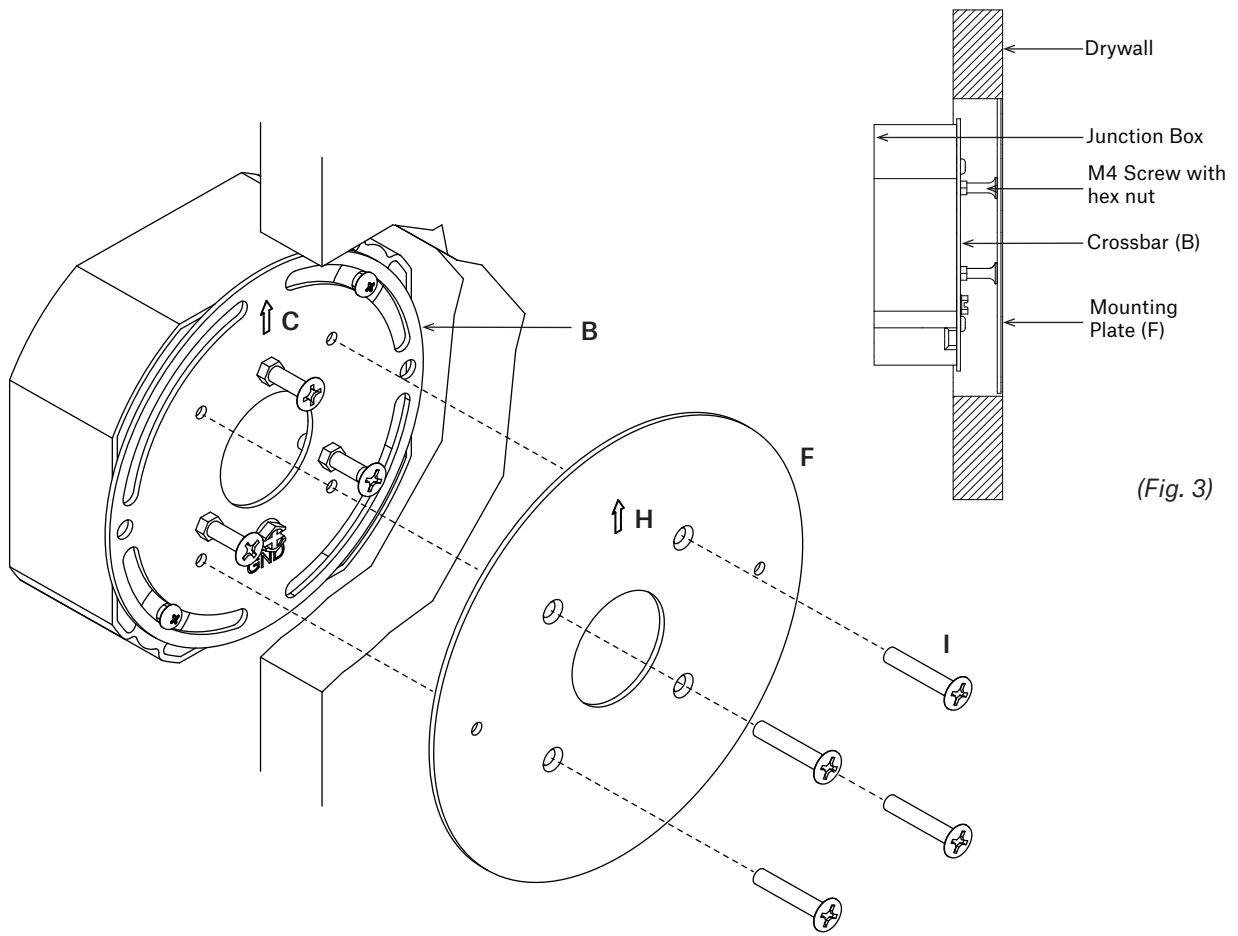


(Fig. 2)

STEP 2 Set the position of mounting plate (F)

Use M4 screws with hex nuts (E) to level the mounting plate (F) by tightening them on the crossbar (B) (Fig. 2), ensuring it's level and flush with the drywall (Fig. 3). Note that drywall thickness affects the space between the crossbar (B) and the mounting plate (F).

⚠ *To achieve a seamless mounting, the mounting hardware is hidden behind the drywall. Keep in mind that because the drywall needs time to dry, this installation takes more than a day. Consider hiring a professional drywall expert.*

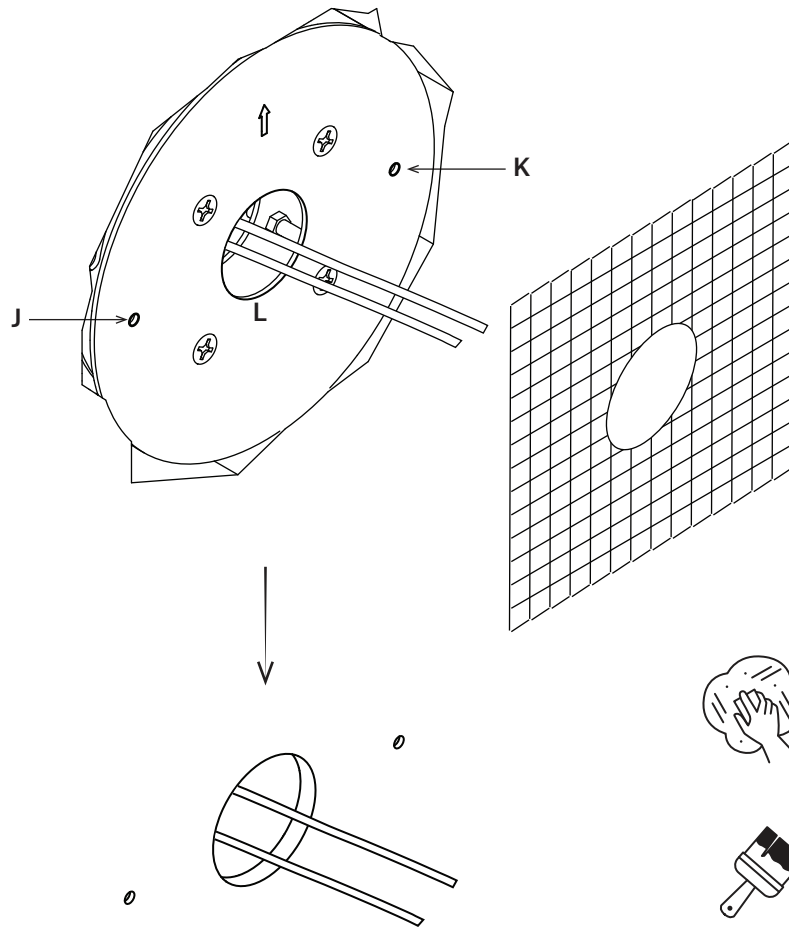


(Fig. 3)

(Fig. 4)

STEP 3
Secure the mounting plate (F)

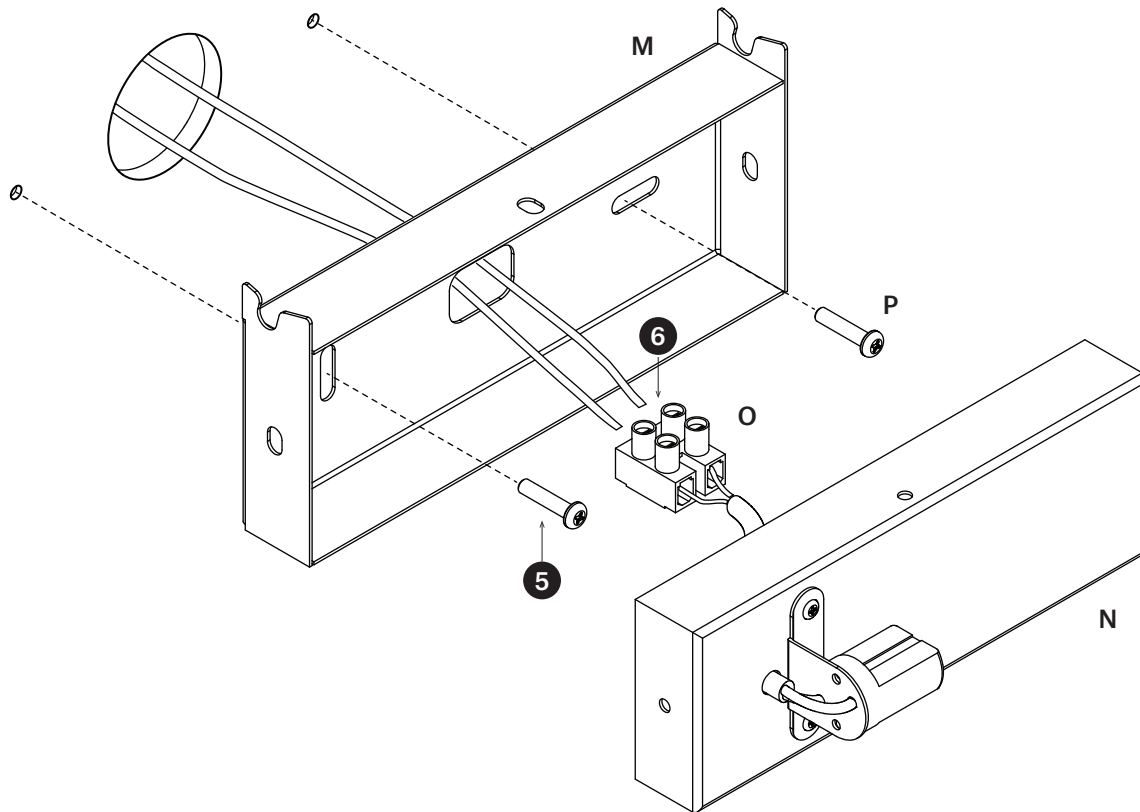
Align the arrow (H) on mounting plate (F) with the arrow (C) on crossbar (B) and use the M4 screws (I) to secure the mounting plate (F) on crossbar (B) (Fig. 4).



(Fig. 5)

STEP 4
Conceal the mounting plate (F)

Use mesh tape and apply mud, sand and paint to match the surrounding surface finish. For best results, hire a drywall professional. Keep in mind that two mounting holes (J & K), one power hole (L), and the electrical wires must remain exposed to complete the installation (Fig. 5).



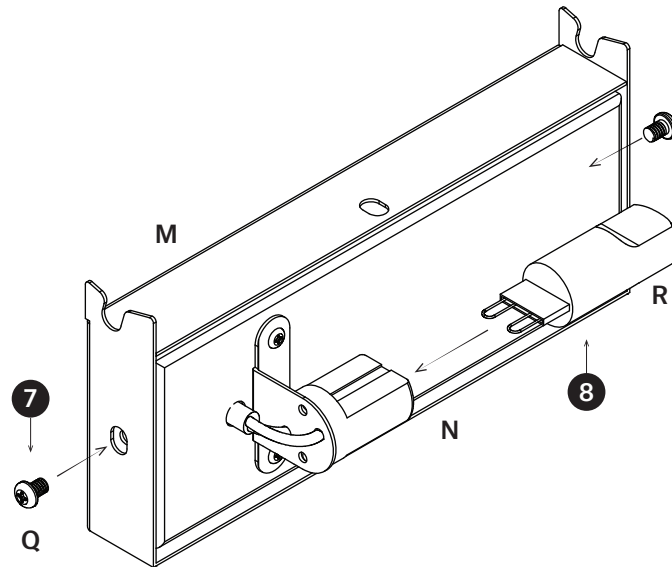
(Fig. 6)

STEP 5 Position and Install the back plate

Pull out the electrical connection point from the canopy back plate (M). Tighten the M4 screw (P) on the back plate (M) of the canopy casing.

STEP 6 Connect the wiring

Take the electrical connection and connect both ends of the wire to the wire connector (O) on the back of the top canopy casing (N).



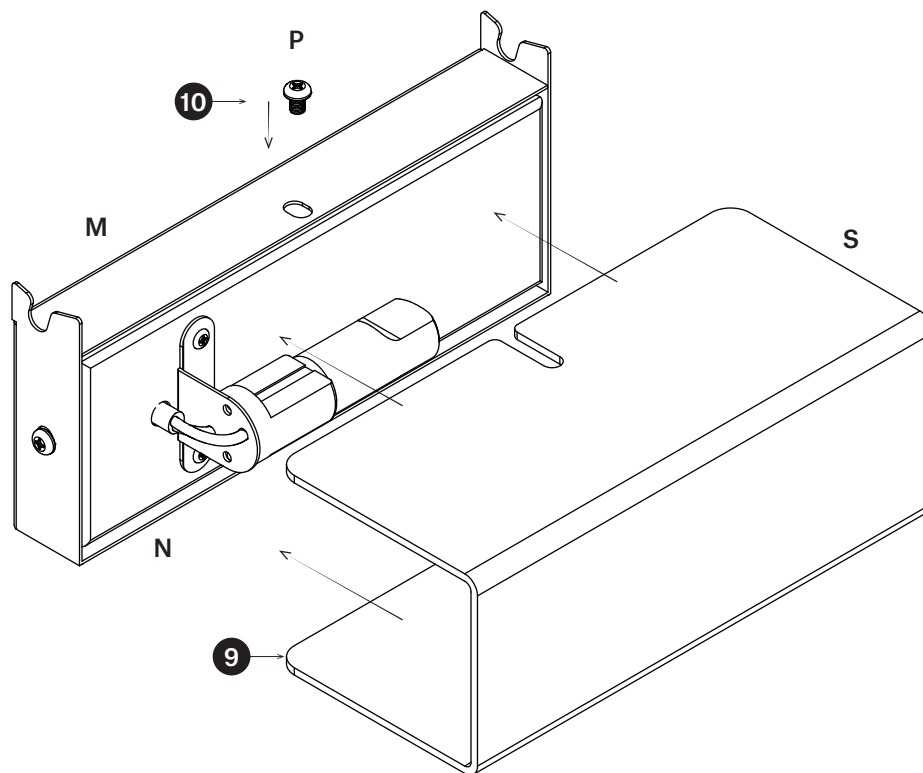
(Fig. 7)

STEP 7 **Attach the canopy casing**

Attach the top canopy casing (N) to the back plate (M) and secure it by tightening the canopy screw (Q) on both ends.

STEP 8 **Install the bulb**

Insert the G9 bulb (R) into the bulb holder on the top canopy casing (N). Test the connection and move on to the next step.



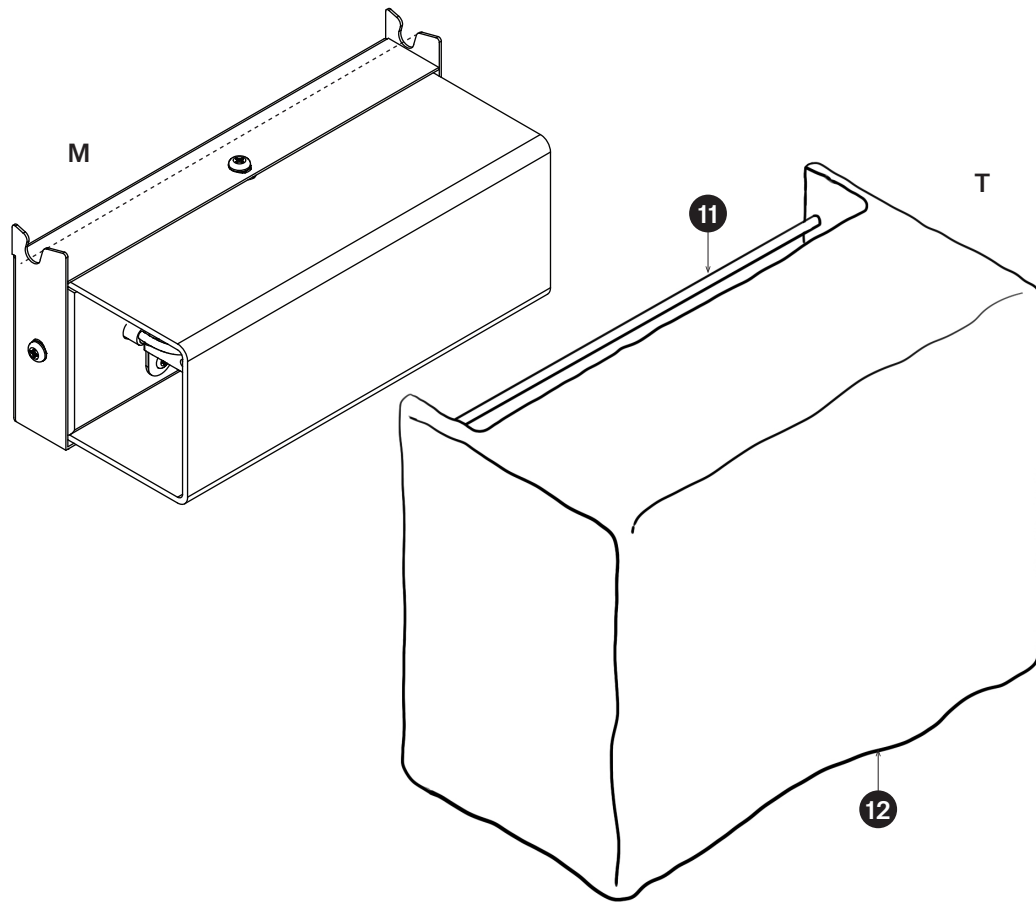
(Fig. 8)

STEP 9
Insert the diffuser

Slide the diffuser (S) into the space between the back plate (M) and the top canopy casing (N).

STEP 10
Secure the diffuser

Tighten the canopy screw (P) to secure the diffuser (S) in place.



(Fig. 9)

STEP 11
Install the light

Take the metal light shade (T) and slide the rod into the back plate (M).

STEP 12
Clean the surface

Use a dry cloth to gently wipe the metal surface and remove any fingerprint marks.

ⓘ Use the gloves provided to avoid leaving fingerprint marks on the metal surface.

