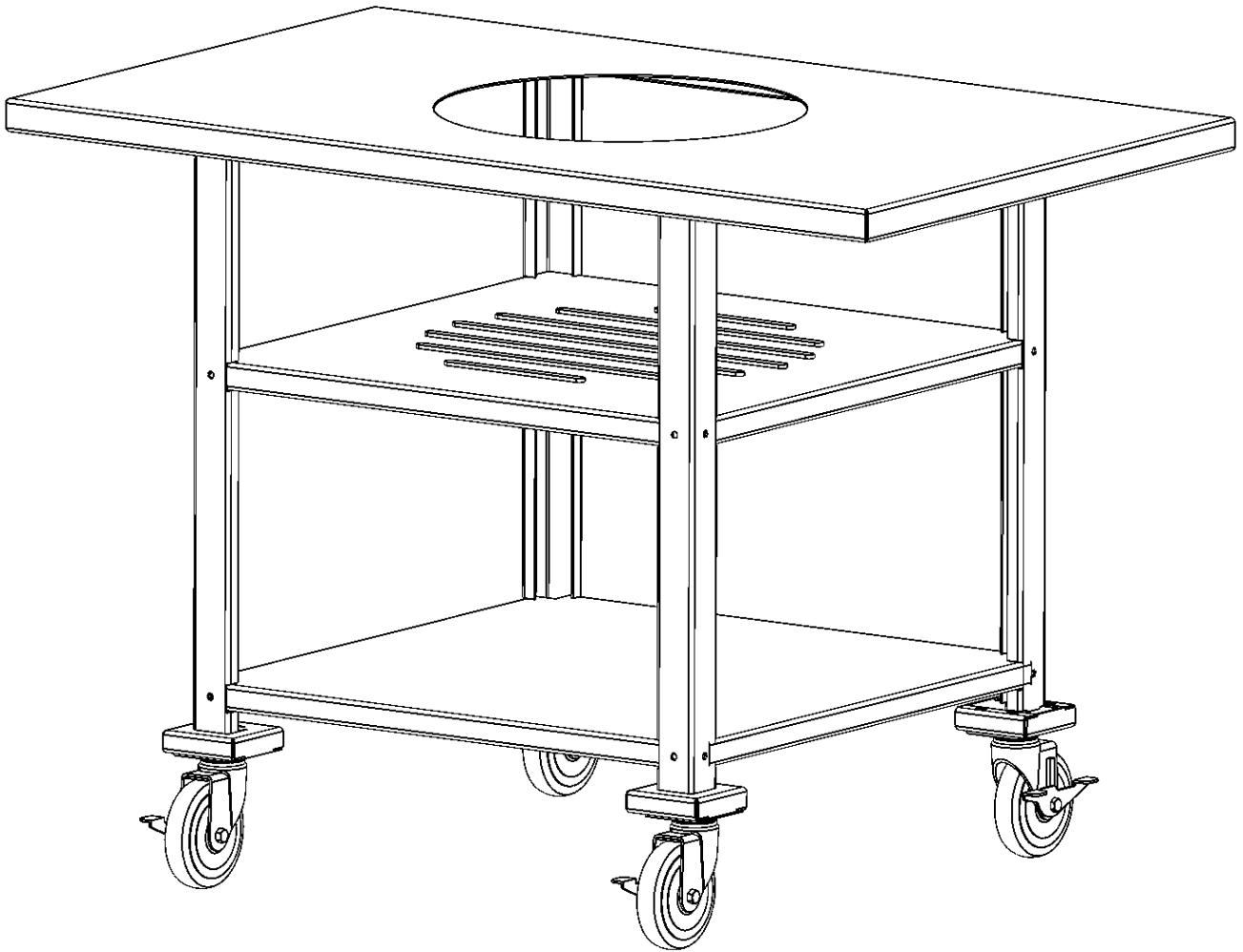


# MATCHLESS

## Assembly - Sidekick Cart



# MATCHLESS

## Assembly - Sidekick Cart

### General Information

---

Your cart was constructed with care and precision. With proper assembly and maintenance, it should last for a lifetime. If any issues arise, or for warranty claims, please contact Matchless Cabinet at:

**Matchless Cabinet**  
**19800 Metcalf Ave**  
**Suite 263**  
**Stilwell, KS 66085**  
**(913) 214-1518**

### Grill Information

---

Please refer to your grill manufacturers' instructions for assembly of your grill and placement into the cart. Please take care in moving and placing your grill, using help as necessary.

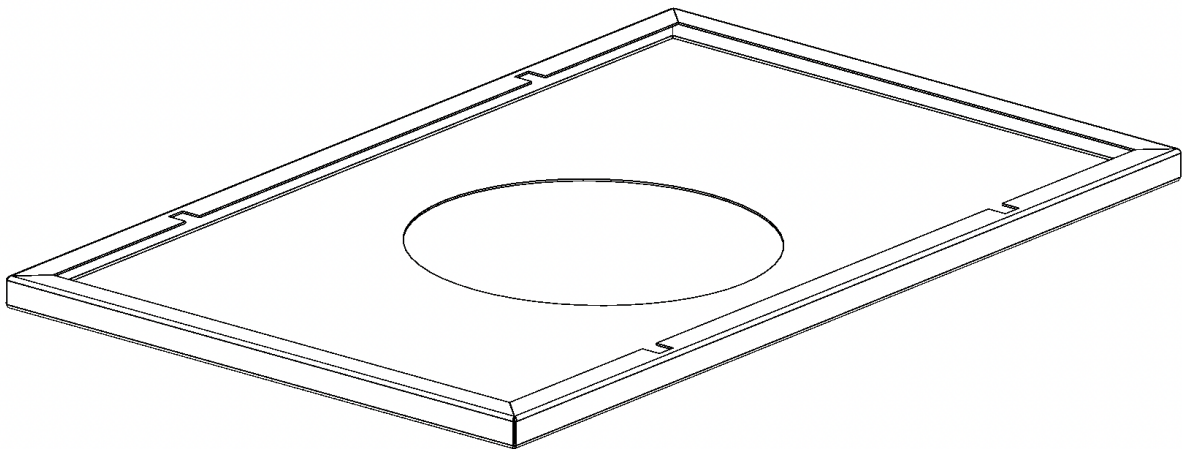
The Sidekick Cart comes in multiple shelf height options for supporting different makes and models. Do not attempt to install a grill that was not intended for your chosen version.

## Assembly - Sidekick Cart

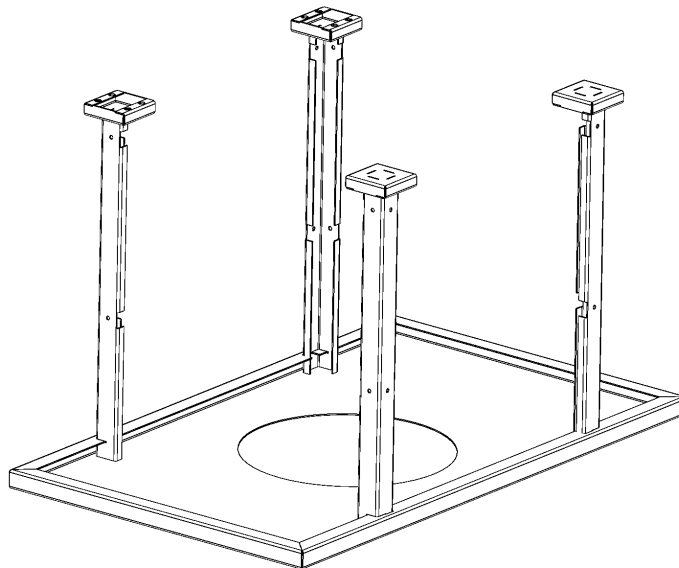
### Assembly

---

1. Carefully unpack all components. Prepare a work surface making sure to clear of debris that could scratch or harm the finish on the cart's worktop.
2. Place the cart worktop upside down on your assembly surface.



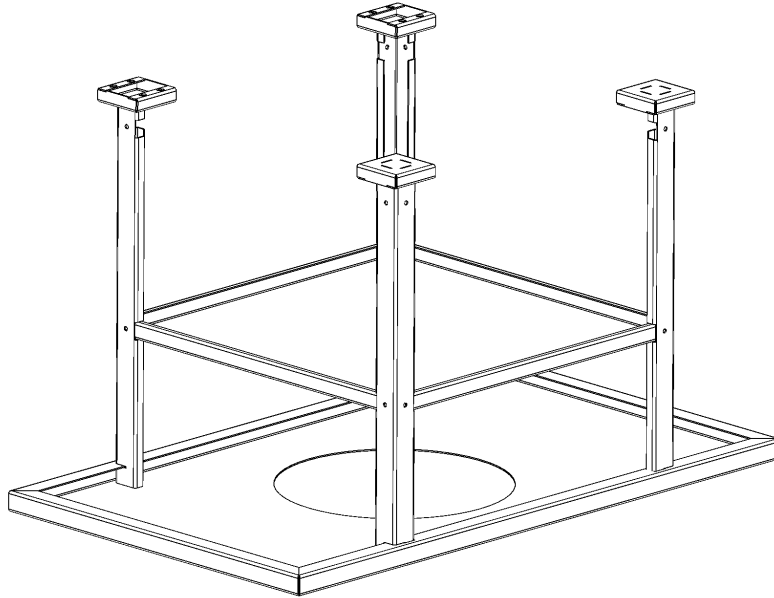
3. Insert each of the 4 legs into the corresponding slot on the countertop.



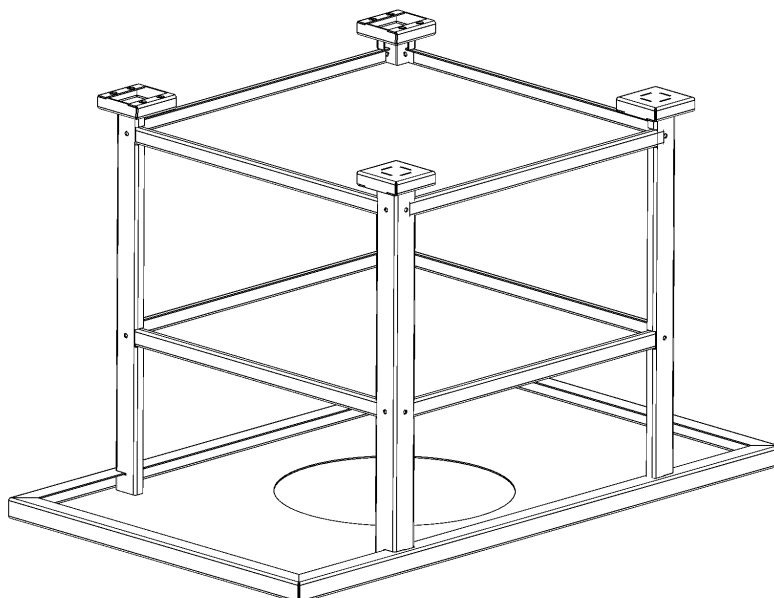
# MATCHLESS

## Assembly - Sidekick Cart

4. Place the grill shelf in the leg slots, in the middle position. Do not screw into place yet.



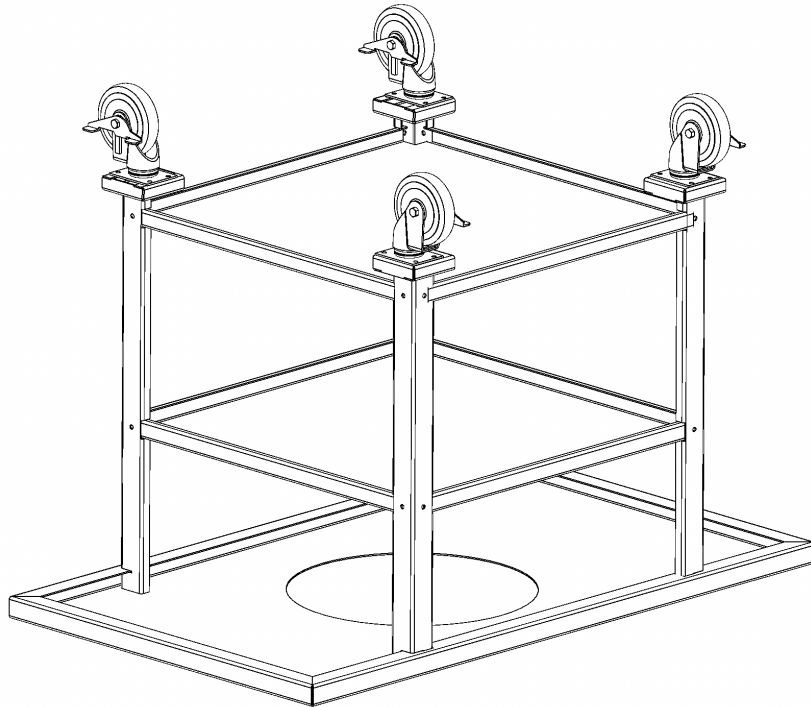
5. With a helper, carefully place the lower shelf into its position in the legs. Then, start and tighten all 8 screws into each shelf.



# MATCHLESS

## Assembly - Sidekick Cart

5. Attach the wheels with included screws.



5. Turn cart over to upright position, and with a helper, install your grill.

