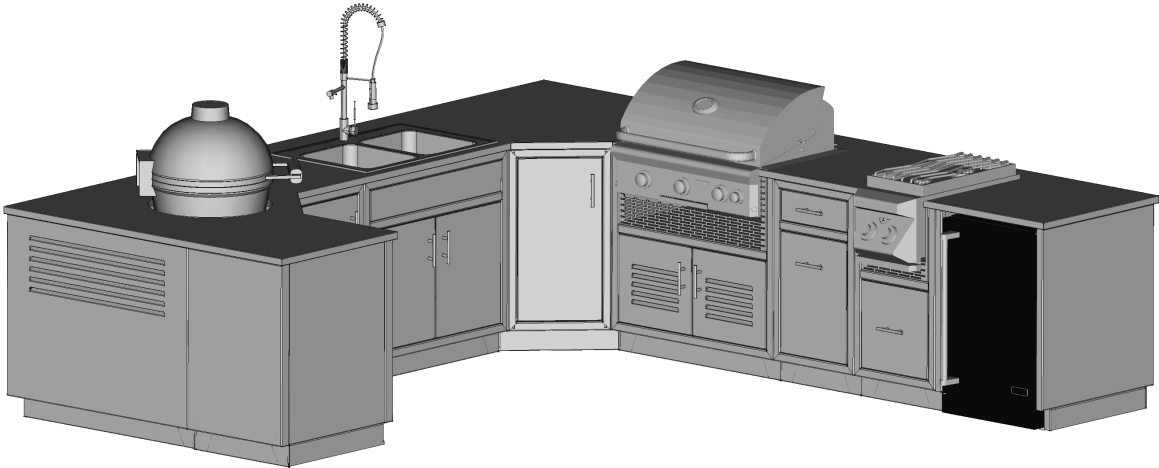


# MATCHLESS

## Cabinet Assembly - Outdoor Kitchen



# MATCHLESS

## Cabinet Assembly - Outdoor Kitchen

### Contents

<b>General Information—</b>	<b>3</b>
<b>Building Codes &amp; Standards—</b>	<b>3</b>
<b>Third Party Accessories—</b>	<b>3</b>
<b>Required Tools &amp; Supplies—</b>	<b>4</b>
<b>Preparing to Assemble—</b>	<b>6</b>
<b>Cabinet Modifications—</b>	<b>6</b>
<b>Assembling Cabinets—</b>	<b>7</b>
<b>Filler Panels—</b>	<b>10</b>
<b>Finish Trim Panels—</b>	<b>11</b>
<b>Tabletop Griddle Inserts—</b>	<b>12</b>
<b>Countertop Options—</b>	<b>13</b>
<b>Toe Kicks—</b>	<b>16</b>
<b>Finish Assembling—</b>	<b>17</b>

# MATCHLESS

## Cabinet Assembly - Outdoor Kitchen

### General Information

---

The assembly guide contains general guidance about installing and configuring your cabinets. Certain aspects of your design, location, configuration and other options may require additional steps or alternative means of installation.

Your cabinets were constructed with care and precision. With proper installation and maintenance, they should last for a lifetime. If any issues arise, or for warranty claims, please contact Matchless Cabinet at:

**Matchless Cabinet**  
**19800 Metcalf Ave, Suite 263**  
**Stilwell, KS 66085**  
**(913) 214-1518**

### Building Codes & Standards

---

Some instructions in this assembly guide may be superseded by local building codes. Please familiarize yourself with, and observe all local codes and regulations when installing your cabinets.

### Third Party Accessories

---

Your cabinets are designed to work with and accommodate many appliances and accessories from other manufacturers. Be sure to cross-reference this assembly guide with those instructions from other manufacturers; and pay careful attention to following those guides in regards to safety and regulatory procedures, guidelines, and warnings.

## Cabinet Assembly - Outdoor Kitchen

### Required Tools & Supplies

---

#### Required Tools:

- Power drill/driver
- Included M10 driver bit
- #2 Phillips head screwdriver
- Tape Measure
- Level
- Masking tape or chalk line
- Writing utensil

#### Optional Tools:

- Drill
- Drill bits
- Bi-metal hole saw (3")
- Bar or C-Clamps (w / protective pads)
- Clear silicone caulk & caulk gun

#### Supplies:

- Included stainless steel M10 x 3/4" self-tapping hex head screws
- Included heavy duty, adjustable 5/16"-18 threaded leveling legs
- Included shelf pins for adjustable shelves (as applicable)

If taller adjustable leveling legs are required, you may procure these through hardware dealers such as McMaster-Carr. We recommend stainless steel or plated zinc hardware.

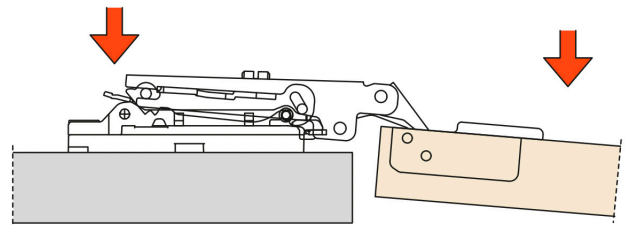
If desired, or required by local building codes, you may replace included assembly hardware with fasteners of your choice. We recommend only stainless steel fasteners, such as: 1"-1/4" threaded hex bolts, lock washers, and nuts.

## Cabinet Assembly - Outdoor Kitchen

Before assembling your cabinets, you should carefully unpack all cabinets and remove all doors and drawers. Using masking tape and a writing utensil, label each door and drawer to its respective cabinet.

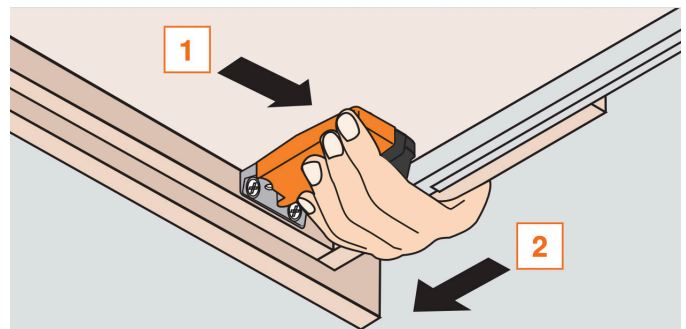
### Removing Doors

- To remove the doors, open the door and remove the hinge from the mounting plate by depressing the hinge latch, and then pushing the door out and away slightly.



### Removing Drawers

- Open the drawer, and placing your hands underneath:
  - (1) Squeeze orange handles on the locking devices,
  - (2) Pull the drawer straight out and up



Store the doors and drawers safely and securely so they will not be damaged during the assembly.

Reinstall doors and drawers (see Page 17) only after installation has been completed, including countertops and appliances.

## Cabinet Assembly - Outdoor Kitchen

### Preparing to Assemble

---

To prepare the site for installation, it may be helpful to place the cabinets on the install site, and mark the layout with masking tape or a chalk line.

Take note of any obvious high spots; keeping a minimum of 3.75" clearance between the ground and the cabinet bottom, if toe kicks are to be installed.

### Cabinet Modifications

---

Depending on cabinet layout, appliance selections, and utility plans, your cabinets may need to be modified to allow for electrical or plumbing.

It is possible to modify your cabinets by cutting access holes where required, without voiding your warranty.

In these cases, using a metal bit hole saw and drill, create access where needed, taking care not to cut through the cabinet face frame, any structural member, or panel joints. Sharp metal edges may be filed smooth, or protected with foam, such as commonly found protective foam for HVAC lines.

Be careful to remove any metal shavings created when drilling or sawing holes, to prevent damage to the finish.

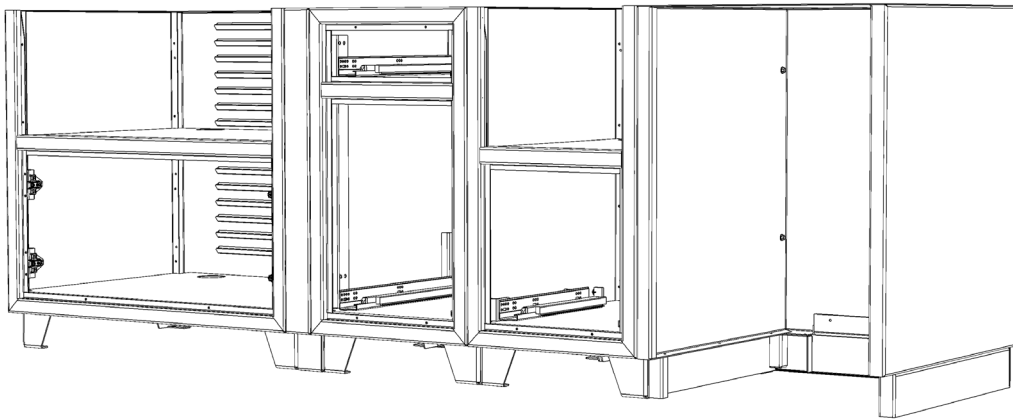
# MATCHLESS

## Cabinet Assembly - Outdoor Kitchen

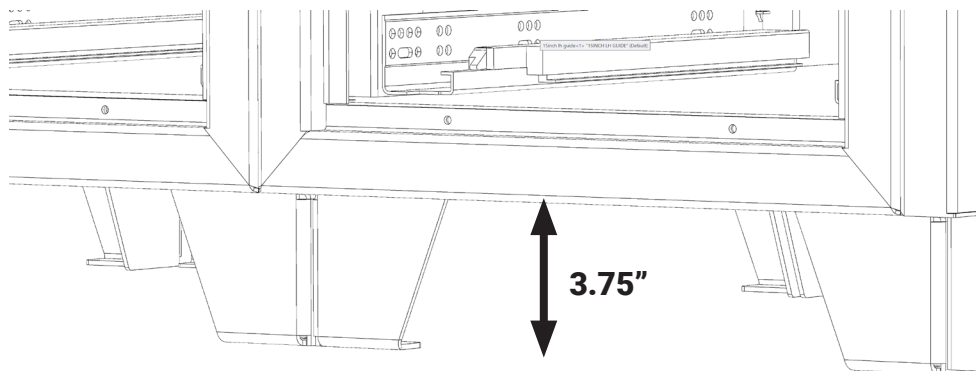
### Assembling Cabinets

---

1. Place the cabinets in their desired final position on your install site.



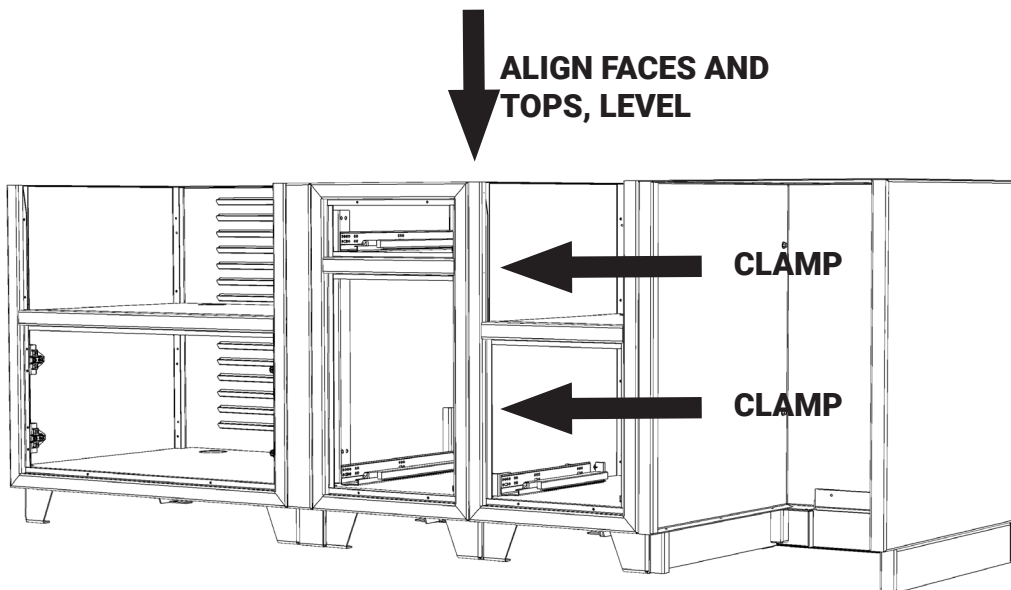
2. Find the cabinet that is on highest ground, by measuring from ground to cabinet bottom, leaving a minimum of 3.75" clearance if toe kicks are to be installed.



# MATCHLESS

## Cabinet Assembly - Outdoor Kitchen

3. Using the leveling feet, adjust this cabinet so that it is level from front to back, and side to side.
4. Once level, continue to adjust the adjacent cabinets to match your starting cabinet, until all cabinets are level.
5. Beginning with the first cabinet you leveled, pick an adjacent cabinet and carefully align the faces and tops of the two cabinets. Using a bar clamp or c-clamp, clamp the two cabinets together at the face frames to hold the position.

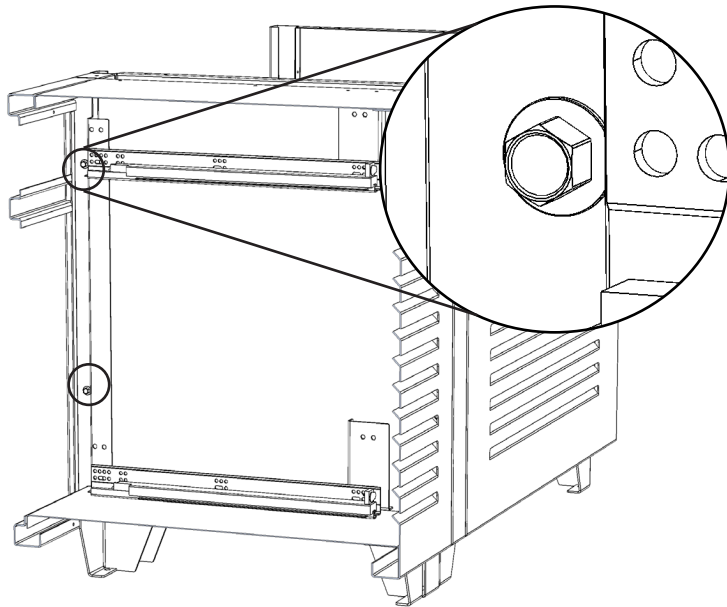




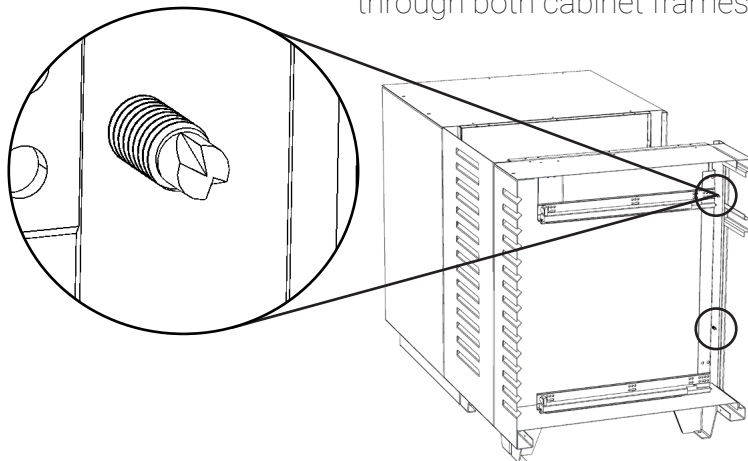
## Cabinet Assembly - Outdoor Kitchen

6. Measure and mark two locations for connecting screws on the inside of the face frame, approximately 4" - 6" from the top, and the bottom of the cabinet.

Using your power drill or driver, and the M10 bit, connect the two cabinets together with two of the supplied M10 x 3/4" screws. Be careful not to over-tighten.



Make sure the screw goes through both cabinet frames.



# MATCHLESS

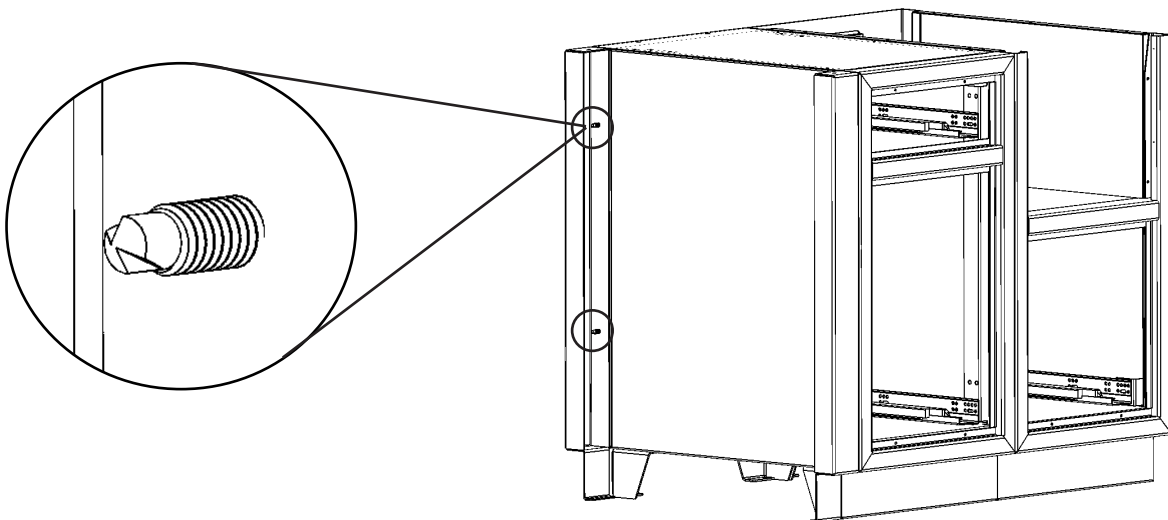
## Cabinet Assembly - Outdoor Kitchen

7. If desired, repeat this process in the rear of the cabinet, attaching the two adjacent cabinet side walls together.
8. Repeat the above steps per cabinet, until complete.

### Filler Panels

---

If your cabinet layout calls for any filler panels between the cabinets, or between cabinets and wall or other structures, those may be fastened to the cabinets in the same way you join cabinets to each other.



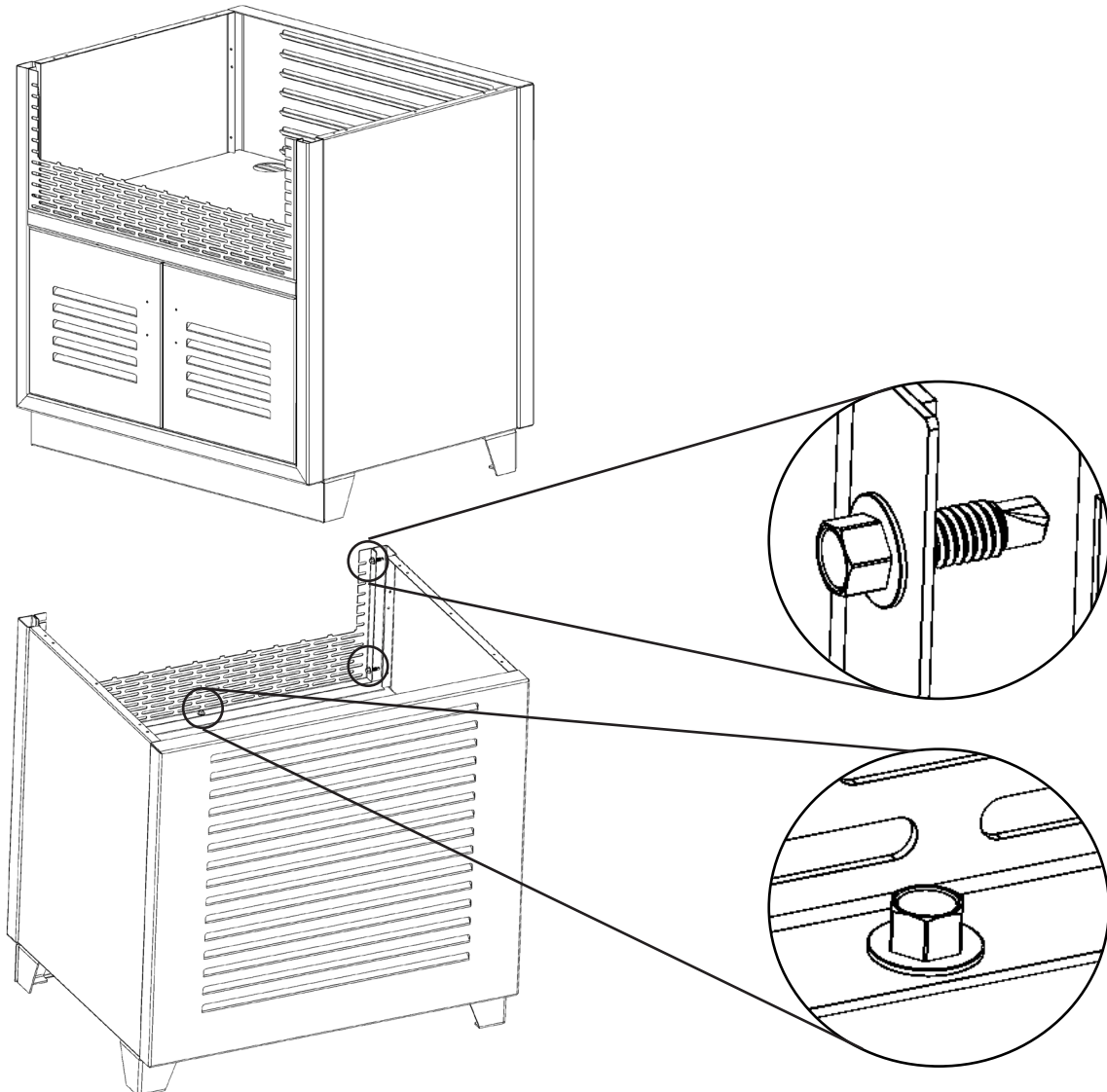
## Cabinet Assembly - Outdoor Kitchen

### Finish Trim Panels

---

Your cabinets may have been provided with one or more trim panels to finish the front face of the cabinet around grills and other appliances.

These trim panels may be installed the same way as filler panels, with self-tapping metal screws. For tabletop griddle inserts, please see Page 12



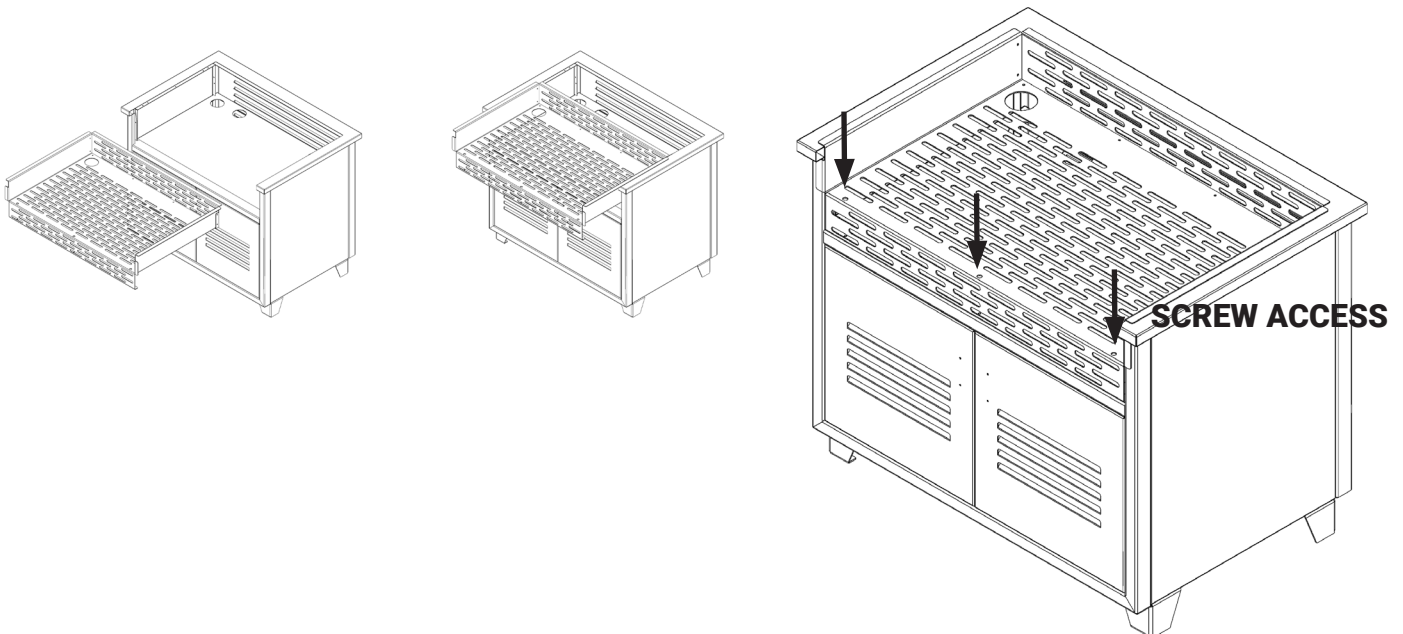
## Cabinet Assembly - Outdoor Kitchen

### Tabletop Griddle Inserts

---

This insert works similar to our finish trim panels (seen on Page [X]) but require the countertops to first be installed, as the countertops act as a support for the insert. With the insert installed, you may use a tabletop griddle or appliance in a more permanent, built-in fashion.

1. Install countertops (see Page [X])
2. Slide the insert over the countertop with the insert flange resting on top of the counter. If using powder coated countertops, be careful to not scratch the finish.
3. Using an extension bit, install 3 of the provided M10 x 3/4 hex screws via the access holes at the front of the insert.



## Cabinet Assembly - Outdoor Kitchen

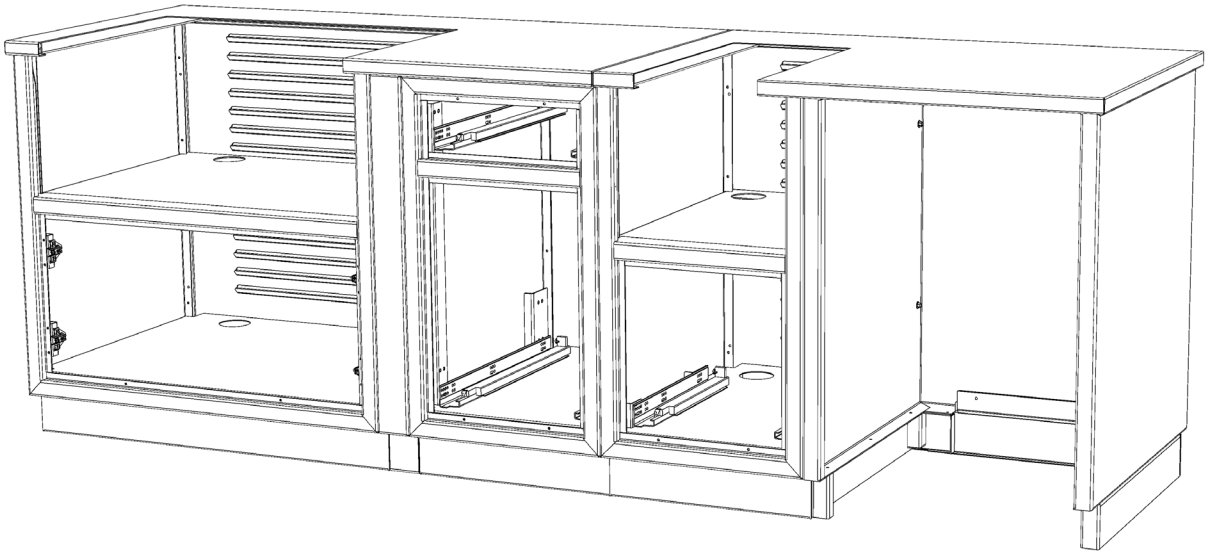
### Countertop Options

---

If your cabinets were configured with optional countertops, refer to this section for installation instructions for general guidance.

For other countertop installation, refer to a local fabricator of countertops in a material of your choice.

1. Your countertops were designed specifically for your cabinet layout and appliance choices. Begin by laying out the countertop pieces over your cabinets. Cabinets should already be leveled and assembled.



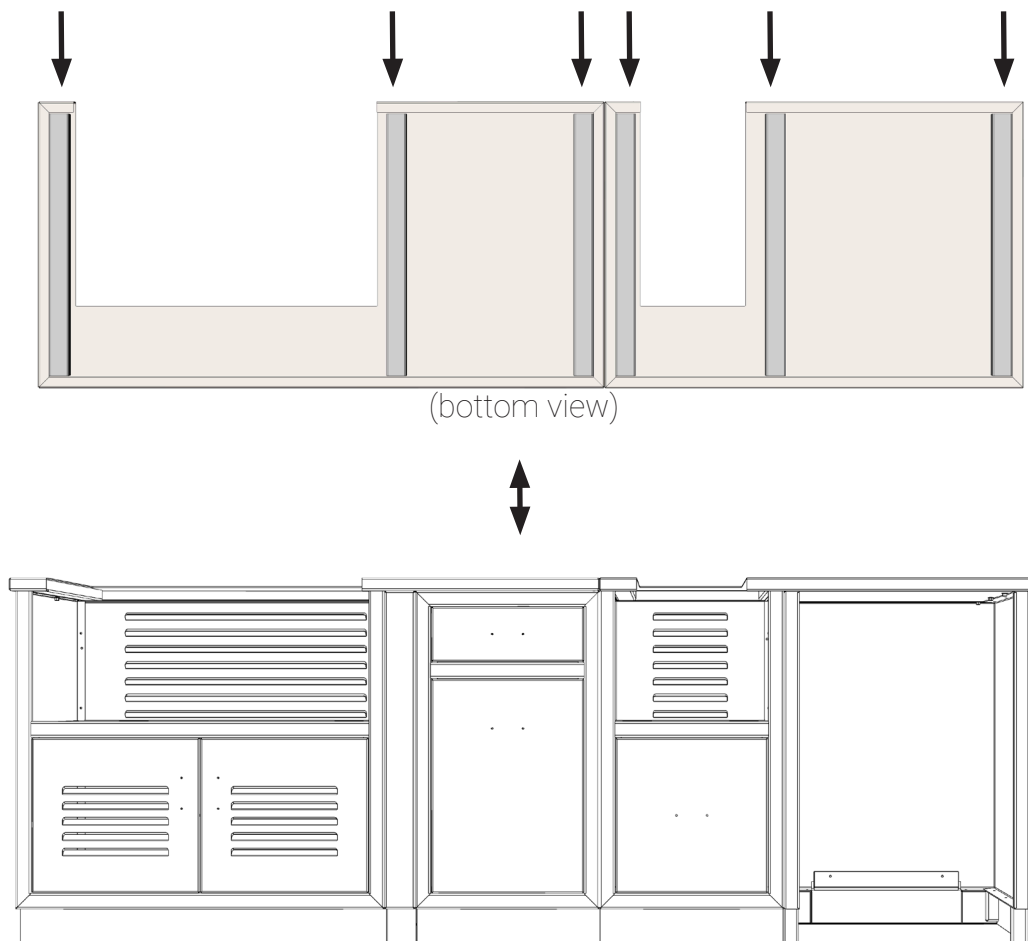
2. Square the countertops as appropriate and check for balanced overhang on each side, front, and back as appropriate.

(con'td)

# MATCHLESS

## Cabinet Assembly - Outdoor Kitchen

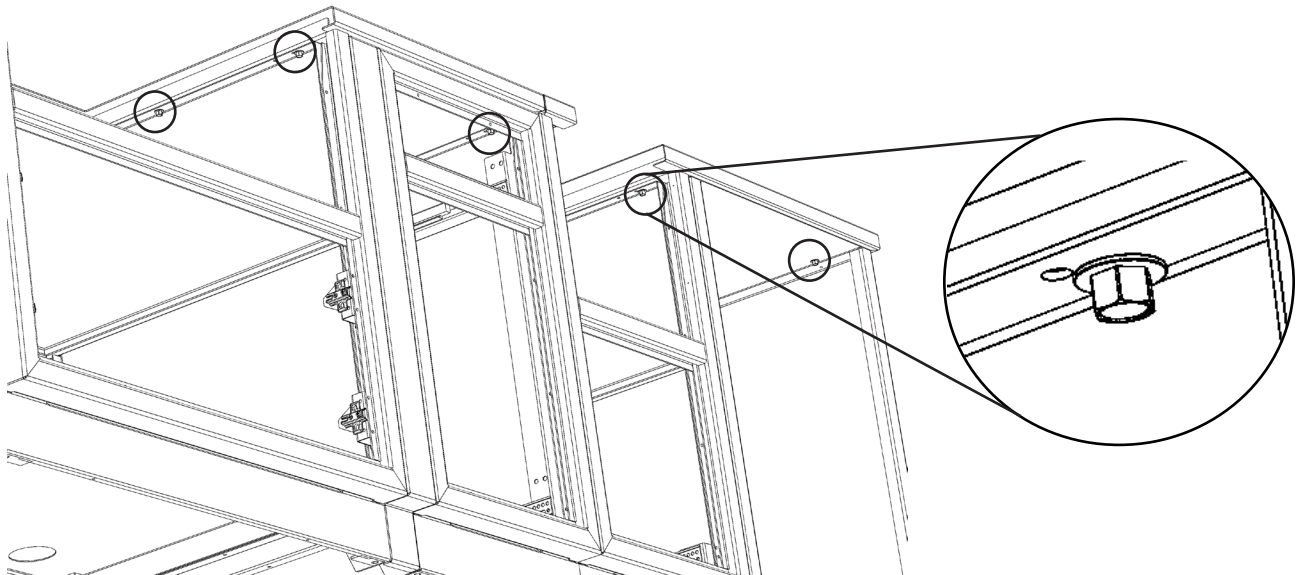
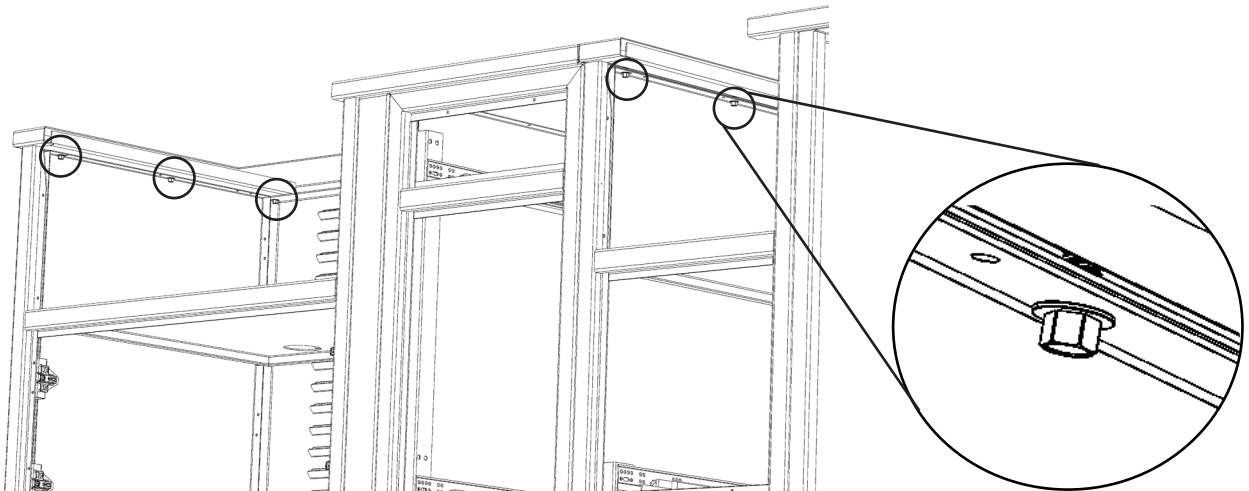
3. Make note of the location of the countertop braces on the bottom of the counters (see detail below). You will use these strips to mount the countertops to the cabinets.



(cont'd)

## Cabinet Assembly - Outdoor Kitchen

4. Use the included M10 x 3/4" hex screws and a driver to attach each section of countertop, on at least two braces. This may require fastening through the top of a fully enclosed cabinet, or through the side flange of a cabinet with an appliance opening.

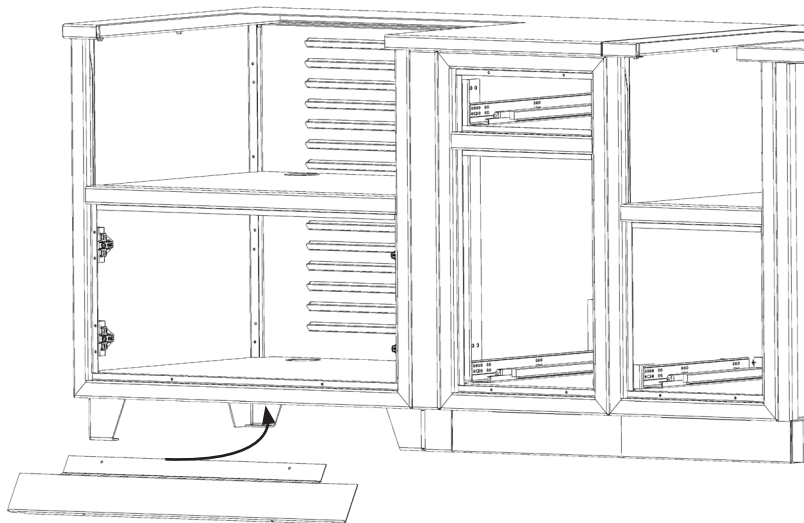


## Cabinet Assembly - Outdoor Kitchen

### Toe Kicks

---

If equipped with optional toe kicks, install them by inserting the magnetic toe kick flange under the face frame on the front (or rear) of the cabinet. Snap into place, and adjust up and down as necessary to close any gap with your floor, and to align with adjacent toe kick pieces.





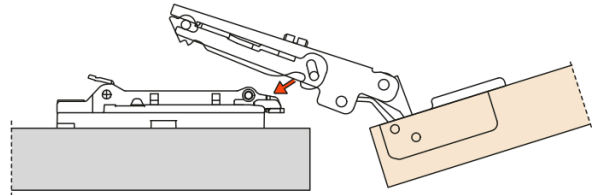
## Cabinet Assembly - Outdoor Kitchen

### Finish Assembling

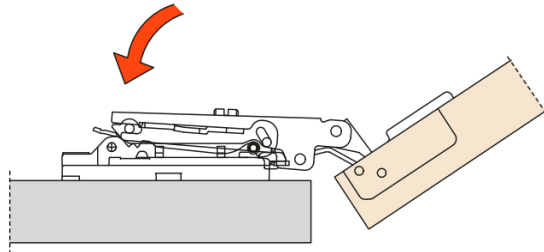
---

#### Attaching Doors

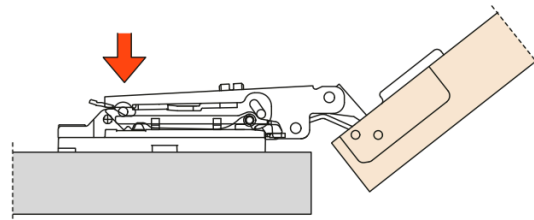
1. Locate the lugs on the mounting plate into the "J" hooks beneath the arm.



2. Gently rotate the hinge arm in the direction shown.



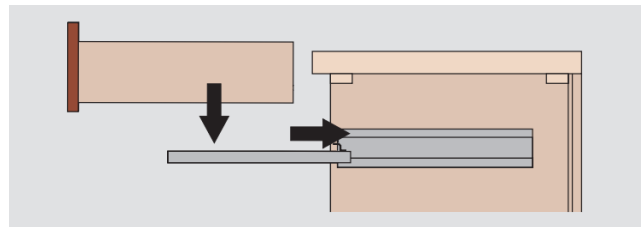
3. Then press lightly on the end of the arm to engage the catch.



## Cabinet Assembly - Outdoor Kitchen

### Attaching Drawers

1. Extend the concealed runners fully. Place the drawer on the runners and close. The locking devices automatically engage with the runners. Make adjustments if necessary. (See [matchlesscabinet.com/resources](https://matchlesscabinet.com/resources) for info)



### Other steps

- Install appliances to manufacturer instructions.
- If desired, use clear silicone caulk around the joint where countertops meet the cabinets. This may also be needed around the shelf on kamado grill cabinets, due to the more open and exposed top.
- Install and adjust shelves of cupboard units to the desired height, with the included shelf pins.