

# Intelligent

**The trusted independent experts for hand dryers  
and washrooms since 2012.**



# Zip HydroChill HC03




---

## FILTERED: CHILLED AMBIENT

---

HydroChill HC03 floor standing 15ltr chilled & ambient filtered water dispense with push button controls for ease of use. Featuring matt black design, carbon block taste & odour filter and sterilising UV out filtration.



MODEL	TAP STYLE	ULTRA VIOLET	CAPACITY (L/HR)	NOMINAL POWER RATING KW	DIMENSIONS W X D X H
HC03CTU15	Push Button	Y	15 L/hr	0.23 kW @ 230V AC	350mm x 416mm x 1093mm

## Features and benefits

### Pure, clean water

Provide pure-tasting, hygienic water in an instant, thanks to Zip's taste and odour filtration plus UV filtration.

### Environmentally responsible

Create a healthier, greener workplace with no need for plastic bottles.

### Caters for a wide range usage

The HydroChill range has been designed to cater for commercial settings where large volumes of drinking water are required. In fact, the HydroChill Under-Counter HC50 has the capability to provide up to 150 litres of chilled or sparkling water an hour from a single unit.

### Consumables and accessories

Serve clean-tasting water in a professional way by using Zip's glass bottles or Zip branded Chilly's, insulated bottles.

### Easy to install

Quick and simple to install and use.

## Product detail

---

### Specification type

Product code	HC03CTU15
Product name	HydroChill HC03 15 ltr Chilled & Ambient with UV
Refrigerant gas	Natural gas R600



**WARNING** R600 is a CFC free, environmentally friendly but highly flammable gas. The product should be installed and operated within the instructions in the supplied manual

### Capacity, weights & dimensions

Water Functions	Chilled, Ambient
Capacity (litres per hour)	15 L/hr
Product weight - empty / full	28kg / 31kg
Unit dimensions (W x D x H) mm	350mm x 416mm x 1093mm

### Plumbing

Whole cold water inlet supply required	Yes
Water Connection Size	¾" BSP female or 15mmBSP
Inlet pipe	15mm
Supply pressure range	1.5bar (Min) - 3bar (Max)
Installation	Must comply with current water supply regulations

The minimum water pressure will vary if a limescale filter is installed. Please contact us to discuss your requirements.

### Electrical

Nominal power rating kw	0.23 kW @ 230V AC
Power supply option	1x 13amp socket outlet
Installation	Must comply with current IEE regulations

### Filtration

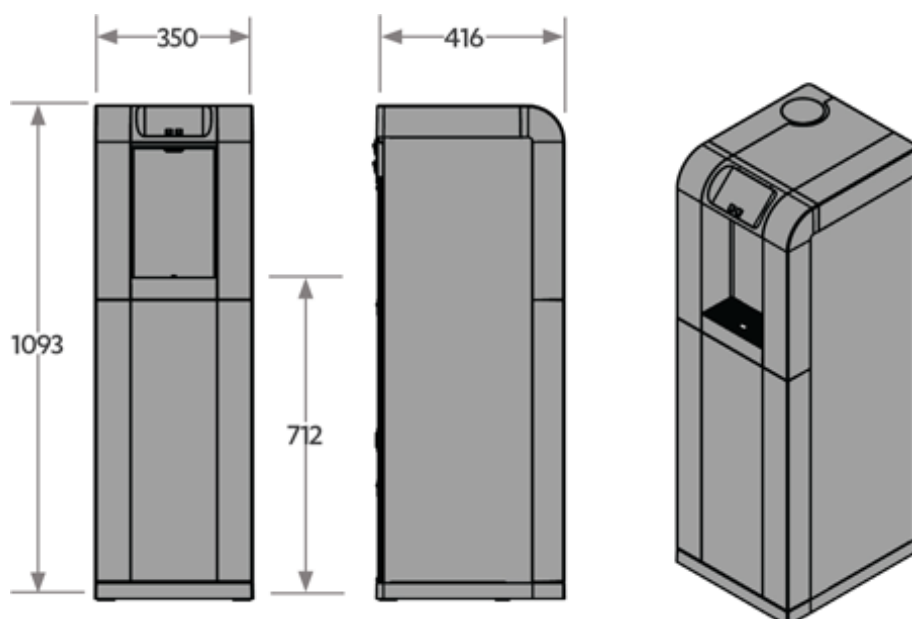
Sterilising UV filtration at point of dispense	Kills bacteria, viruses, moulds, alga
--	---------------------------------------

### Warranty

1 year on-site parts and labour on site	Terms and conditions apply (see supplied manual)
---	--

## Technical drawings & dimensions

All dimensions in mm



## Technical data table

Parameter	HC03CTU15
Single-phase supply voltage +/- 10%	230V 50Hz
Max electrical consumption	230W - 1 A
Ambient running temperature	10 – 32 °C
Refrigerant gas	R600
Ventilated air condenser	YES
Water pump type	Membrane
Chilled water temperature Min – Max *	5 – 12 °C
Operating pressure	1.5 – 3.0 bar
Refrigerant capacity	15 Lt/h
Compressor capacity	1/10 HP
Cooling tank capacity	2,75 Lt
Net weight (max)	21,1 Kg
Gross weight (max)	23.8 Kg
Dispensing area H	280 mm
HC03CTU15 dimensions WxDxH	350 x 416 x 1093 mm
Warehouse storage temperature	Min 2 °C – Max 40 °C

\* rated at a room temp. of 25°C and inlet water temp. of 20°C

## Clearance envelope

---

A clearance envelope around all Command Centres must be provided to ensure that the temperature of the installation space does not exceed 32°C. See below:

