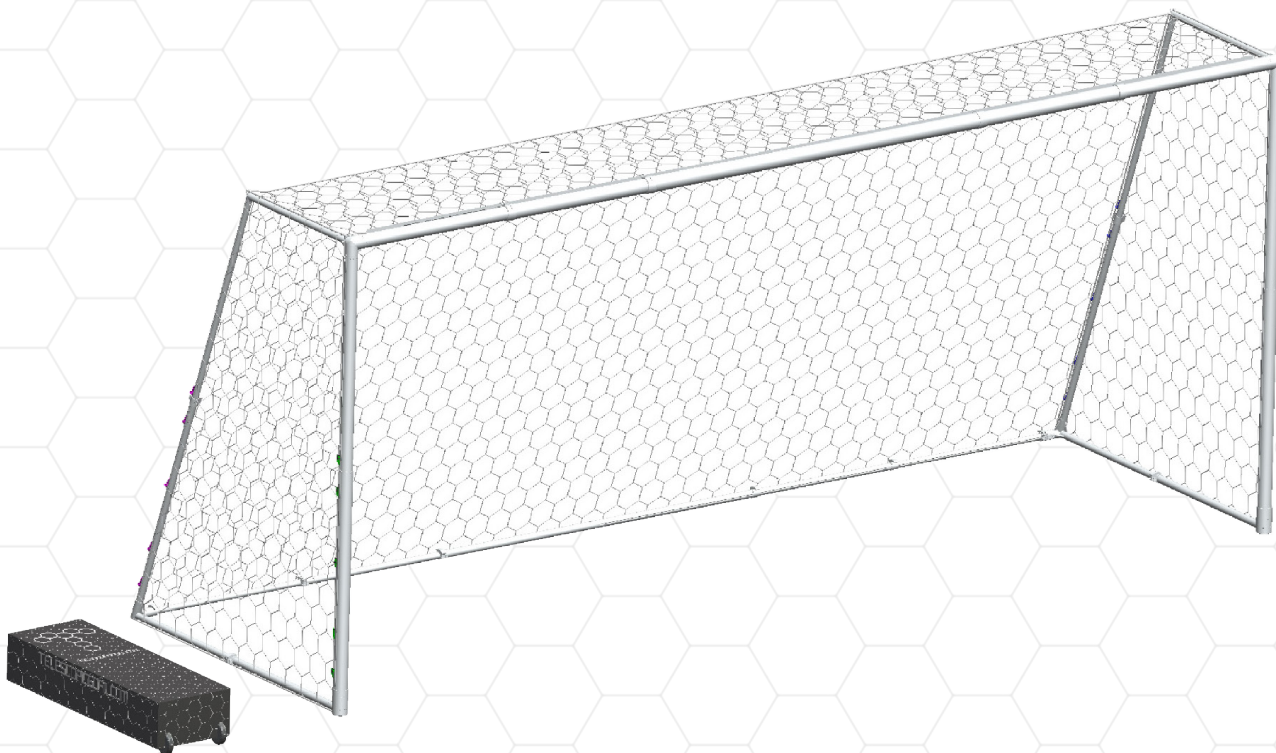


# TELESCOPIC GOAL



## INSTRUCTION MANUAL

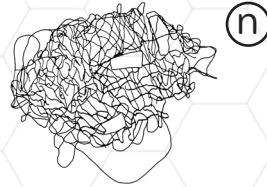
# INCLUDED

## Nets

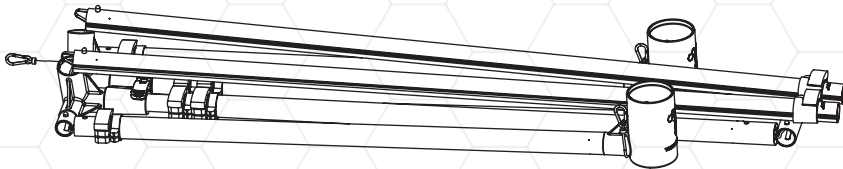
Main net x 1



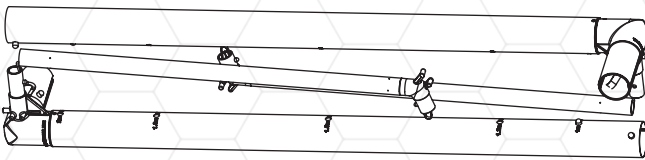
Right hand side net x 1  
(Yellow and Blue Tags)



Stanchion (Net Support) (S)



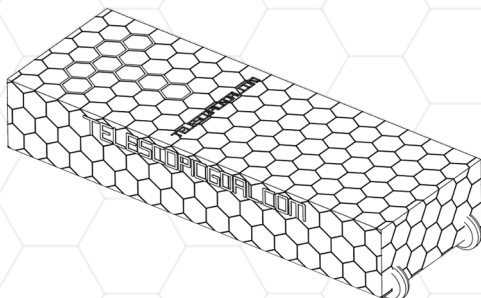
Posts x 2 (Left & Right) (P)



Crossbar (C)



Bag



• Bag



• Bungees x 12



• Pegs x 4



• 3/32 Allen Key

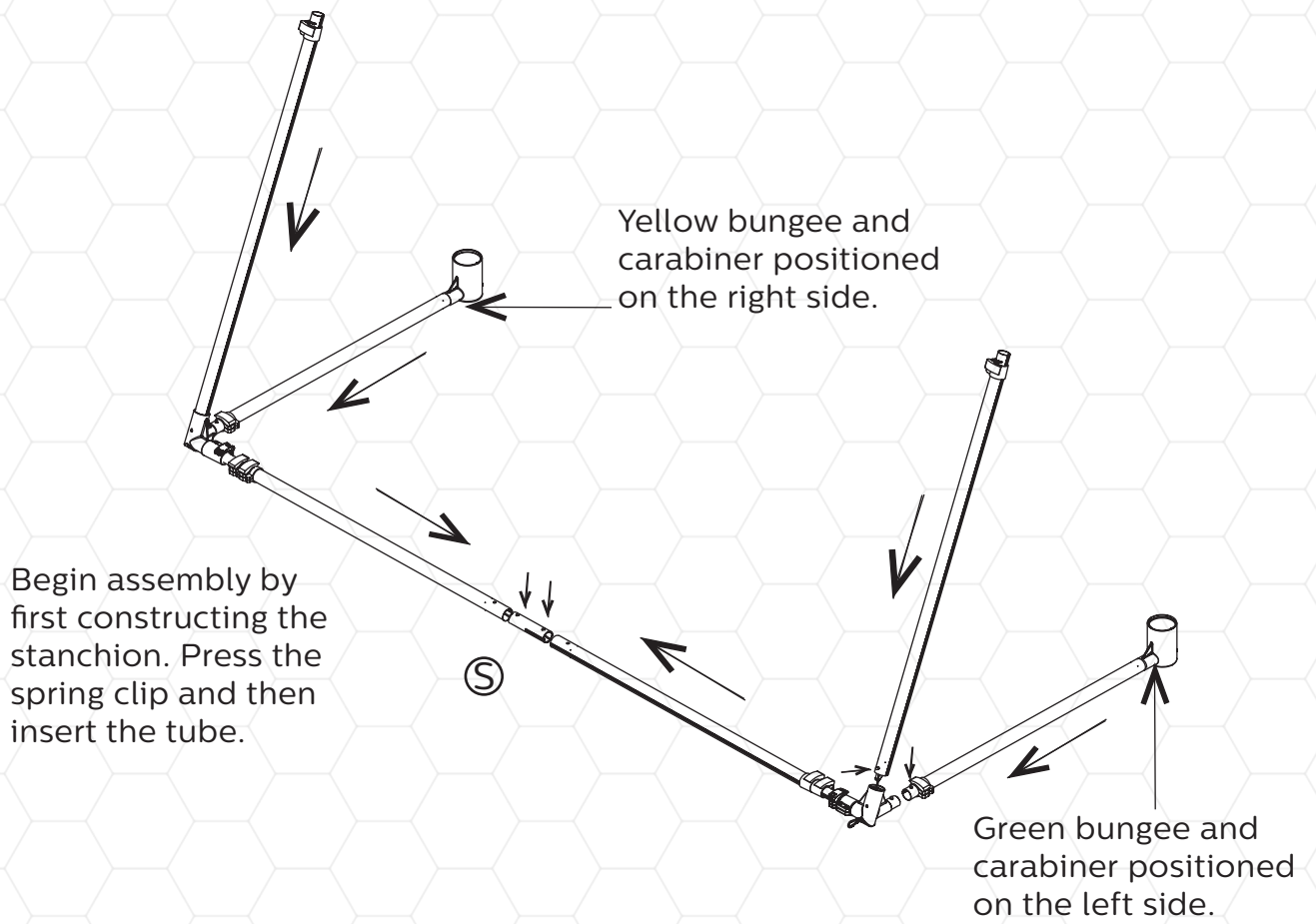


• Cleaning cloth



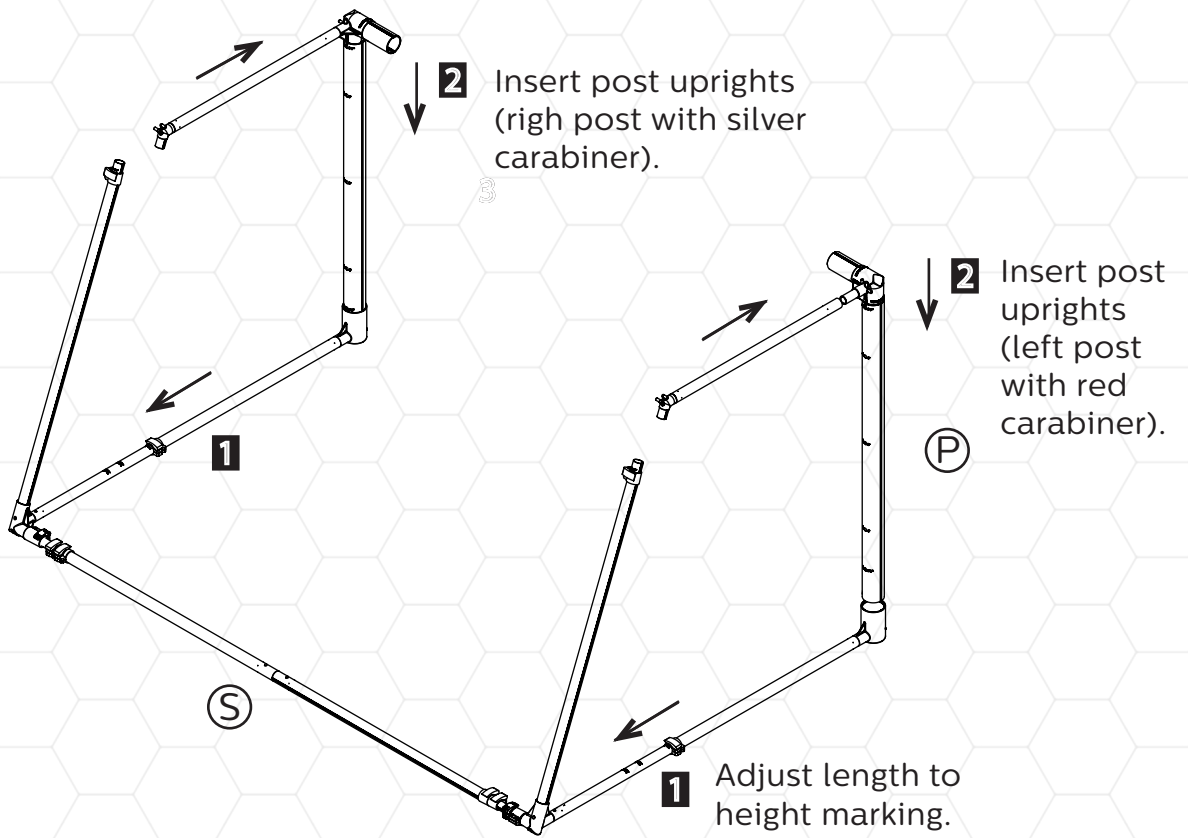
# SETUP

step 1



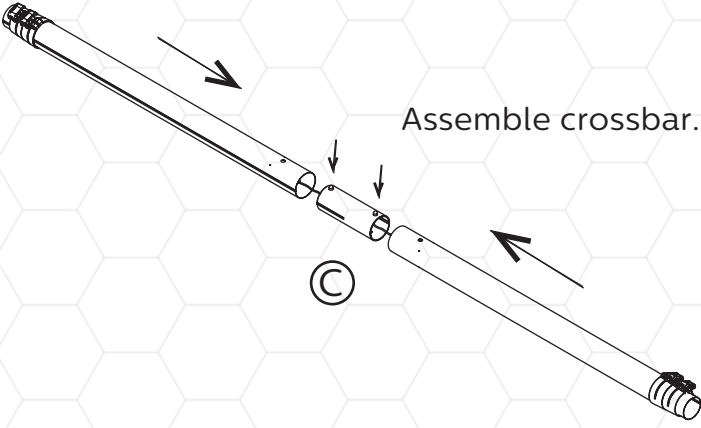
# SETUP

step 2



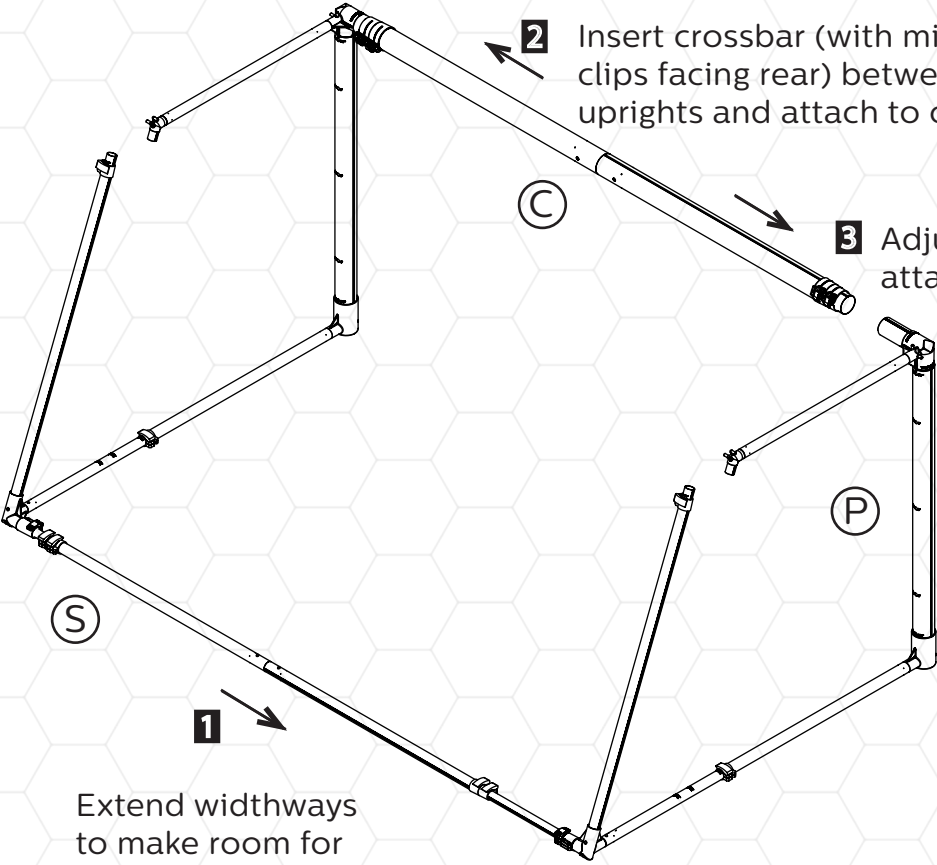
# SETUP

## step 3



Assemble crossbar.

## step 4



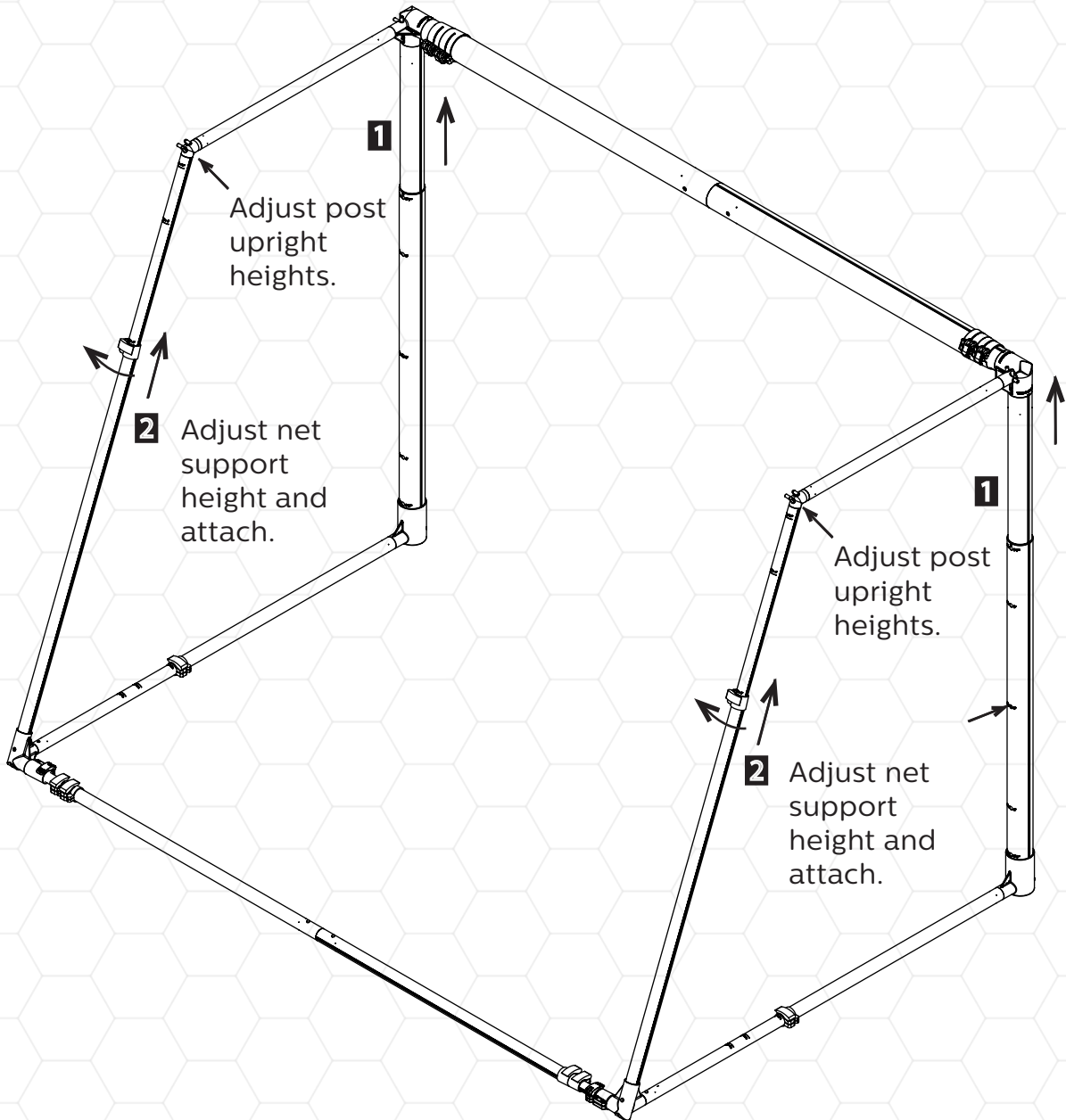
**2** Insert crossbar (with middle spring clips facing rear) between uprights and attach to one side.

**3** Adjust length and attach to other side.

**1** Extend widthways to make room for crossbar.

# SETUP

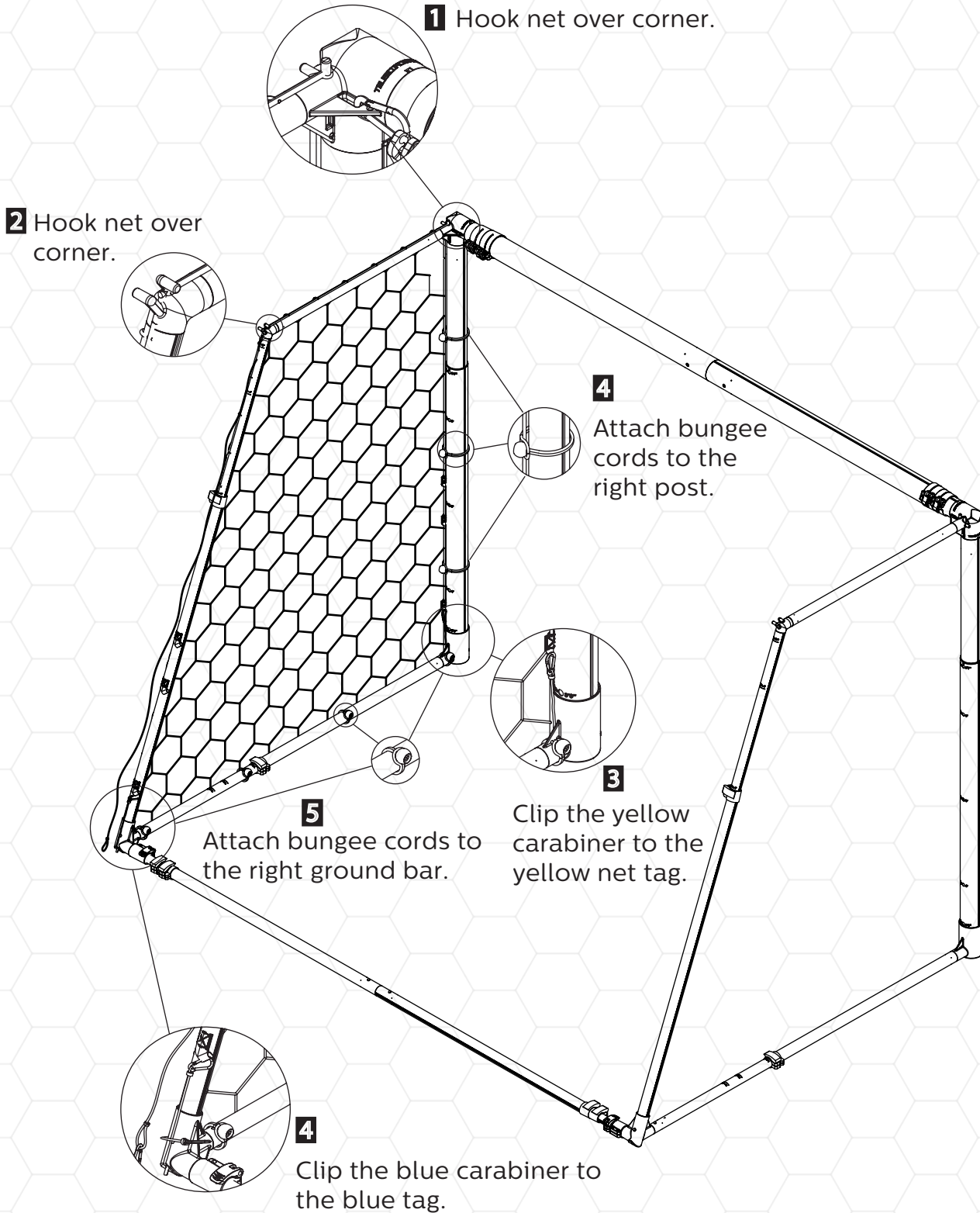
step 5



# SETUP

## step 6

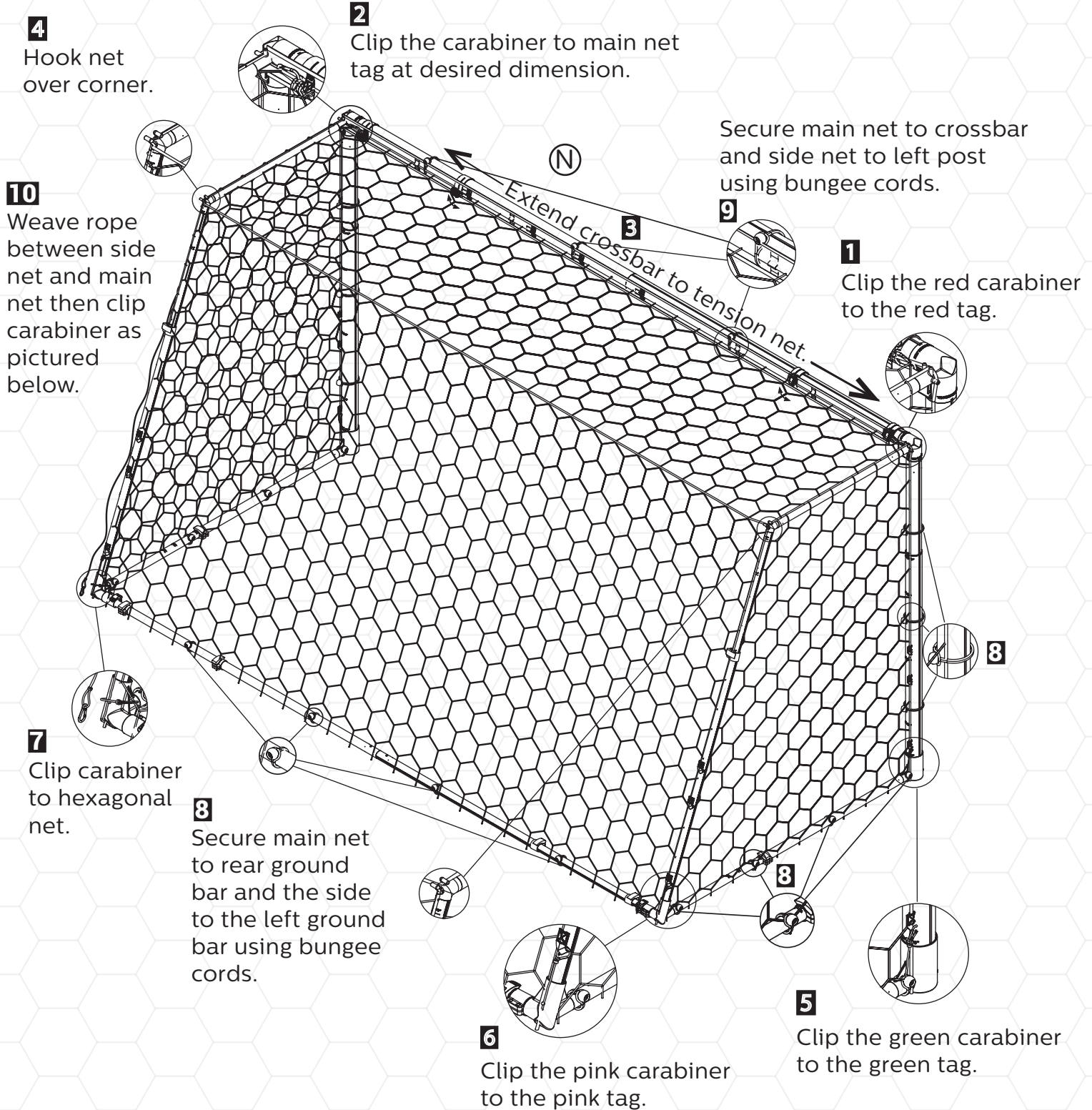
(Attaching right handside net). (n)



# SETUP

## step 7

(Attaching main net). (N)

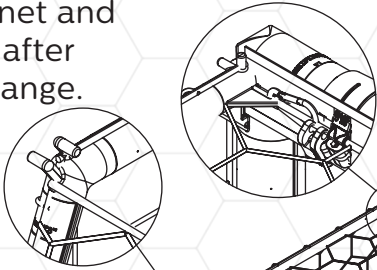


NOTE: If using TELESCOPICGOAL on soft ground, peg corners through the corner bungees for a more secure setup.

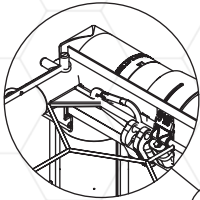


# WIDTH ADJUSTMENT

Unhook net and readjust after width change.



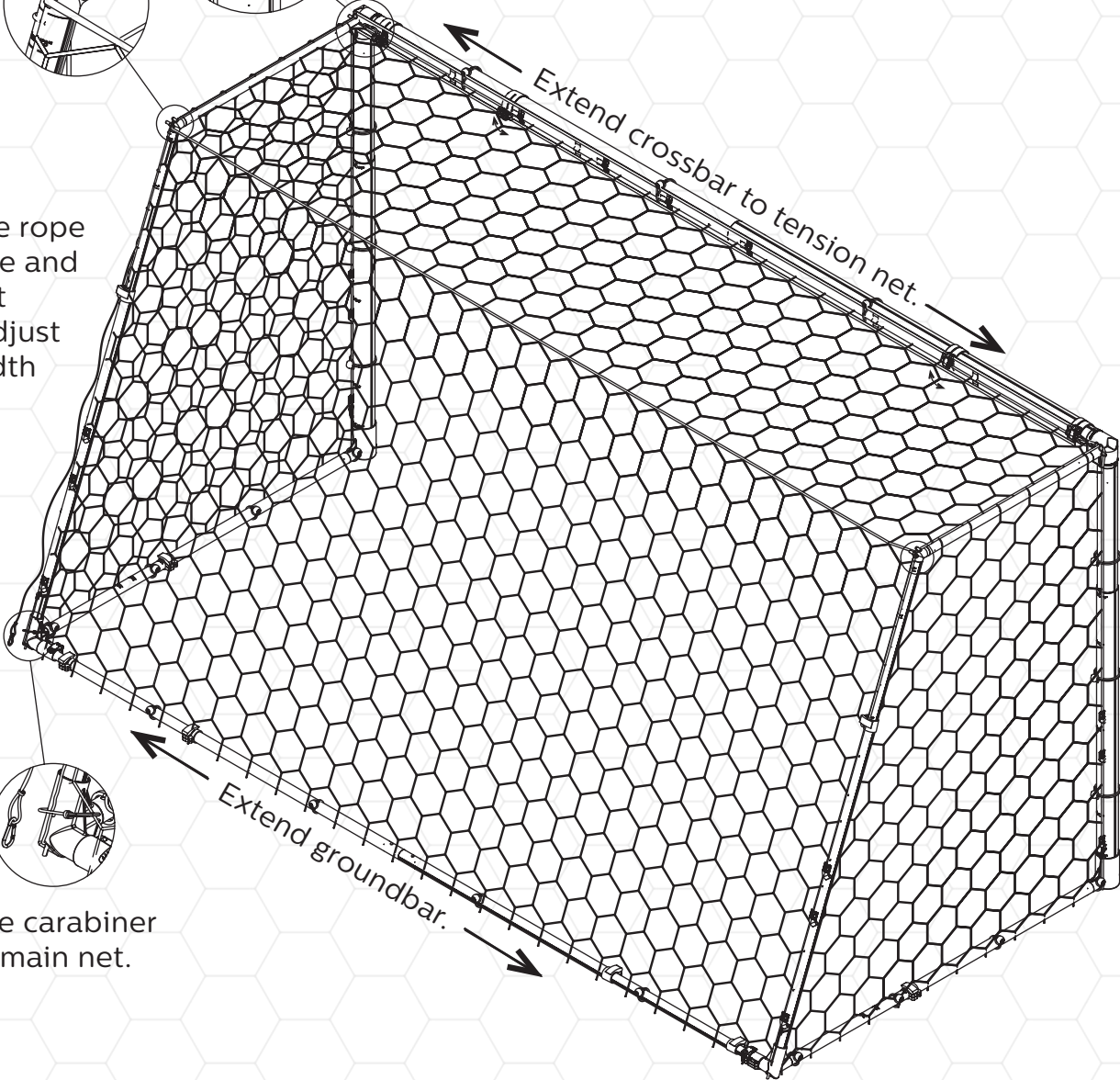
Clip carabiner to net tag at desired width dimension.



Unweave rope from side and main net and readjust after width change.



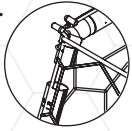
Unclip the carabiner from the main net.



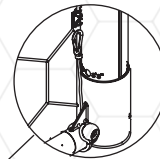
# HEIGHT ADJUSTMENT

**1**

Retract stanchion by releasing latch and pushing spring clip.



**3** Adjust height.



Unclip yellow carabiner.



**1**

**3** Adjust height.



**5** Reconnect stanchion.

**5**

Unclip carabiner from main net

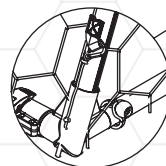


**2**

Unclip all corner carabiners and ground bar bungees.

**6** Reclip all carabiners and ground bar bungees.

**6**



Unclip pink carabiner.

**4** Adjust length to height

**4**

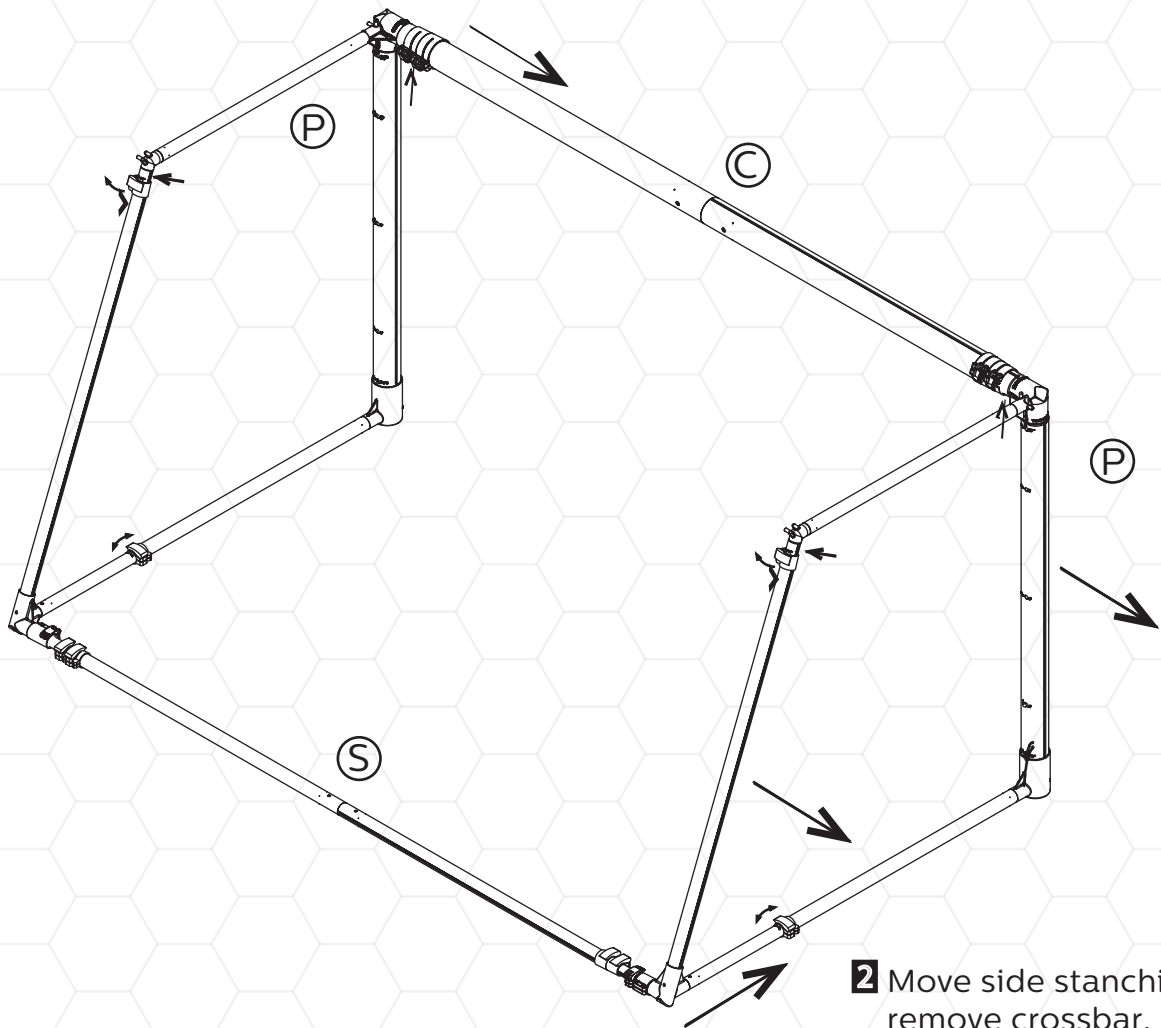


Unclip green carabiner.

# PACK AWAY

## step 1

- 1** Remove both nets and adjust goal to smallest size 2m wide x 1m high.

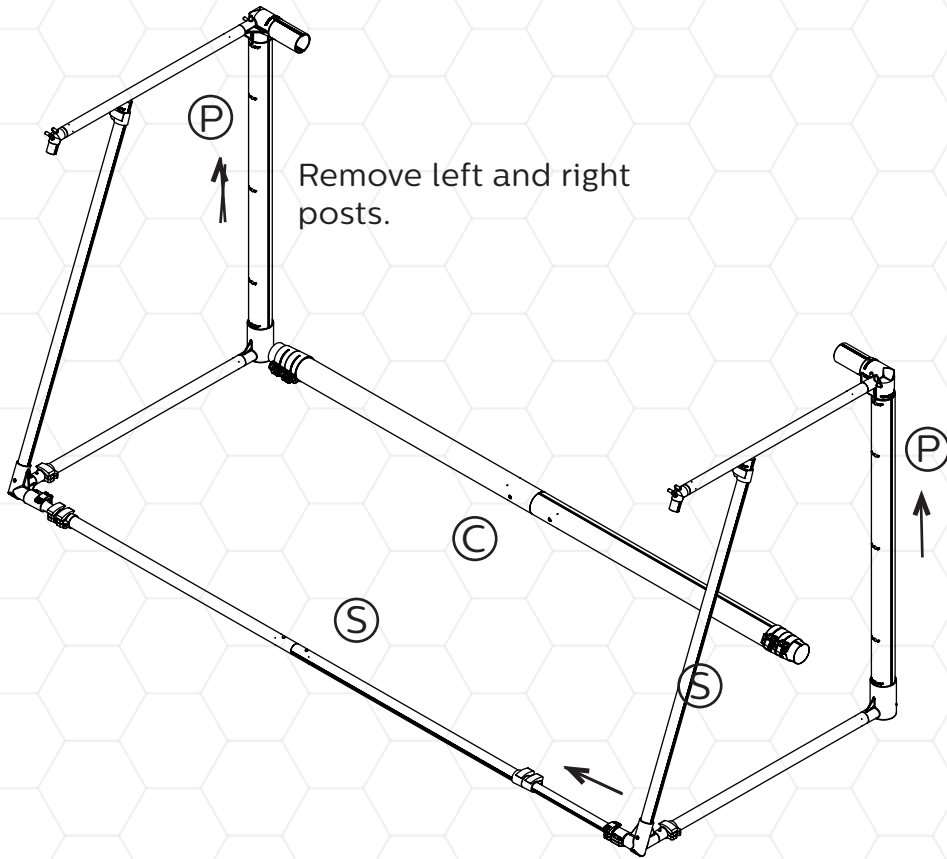


- 2** Move side stanchion to remove crossbar.

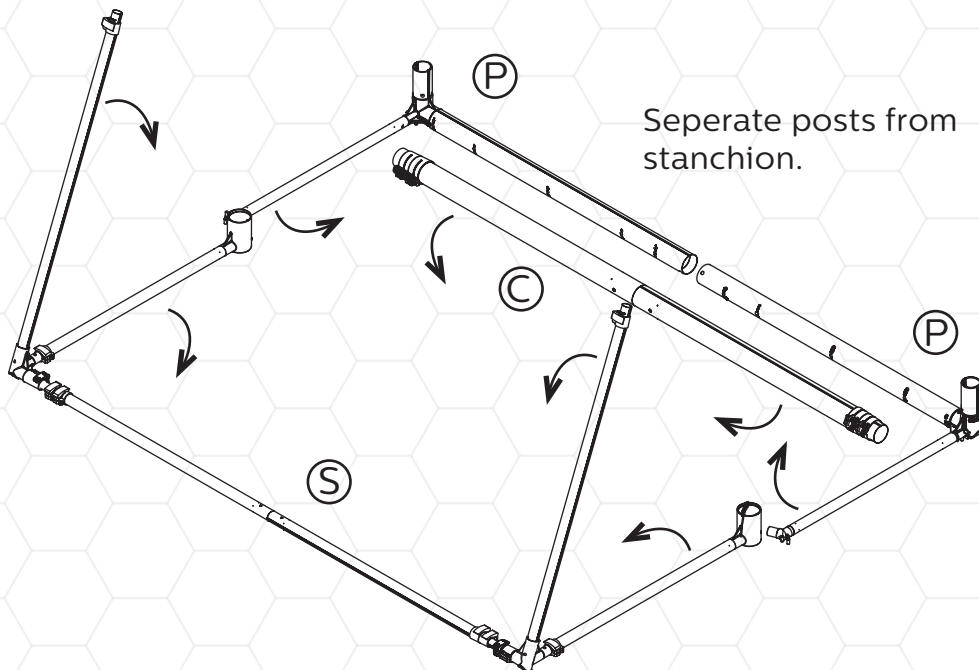
# PACK AWAY

## step 2

(Remove left and right posts). (P)

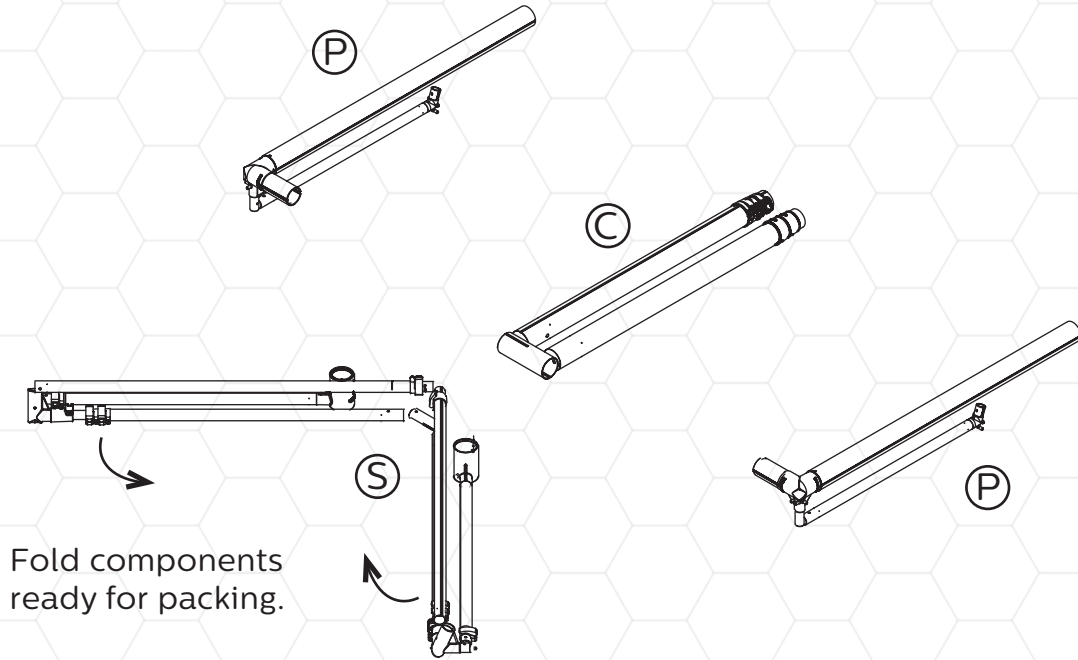


## step 3



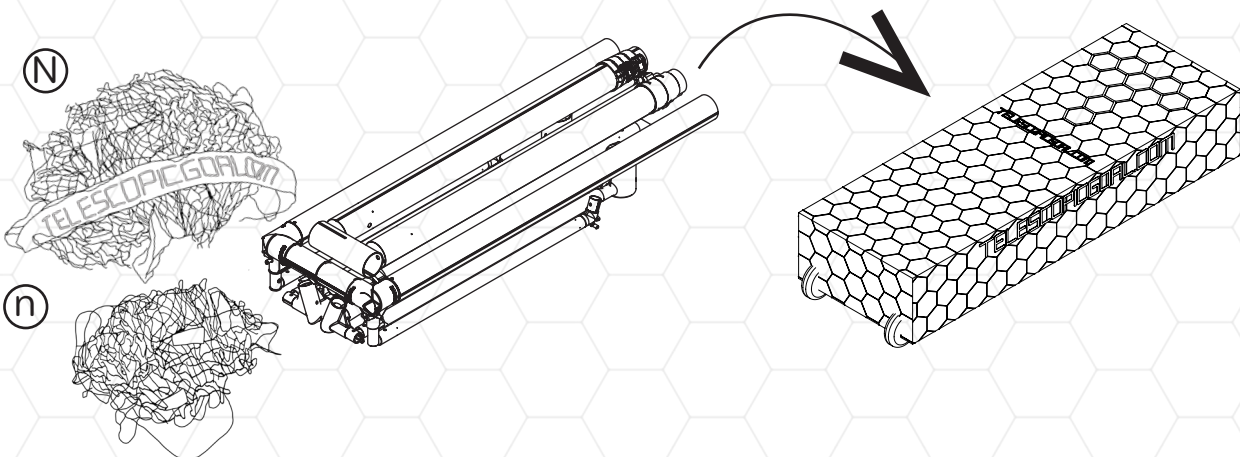
# PACK AWAY

step 4

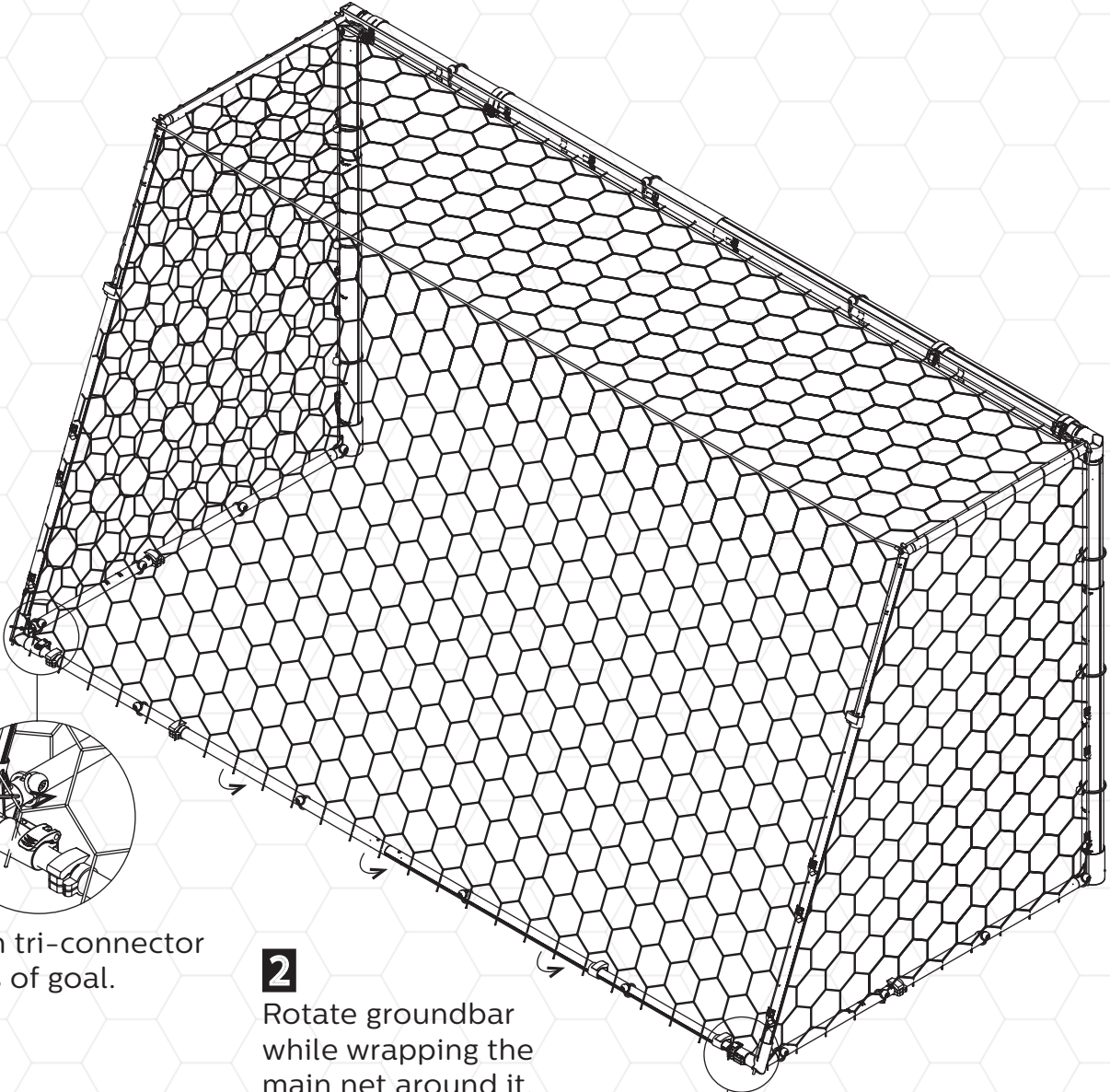


## step 5

Place folded stanchion (S) in bag followed by posts (P) then by crossbar (C) then nets (N) (n)



# NET ROLL UP



**1**

Unlatch tri-connector at ends of goal.

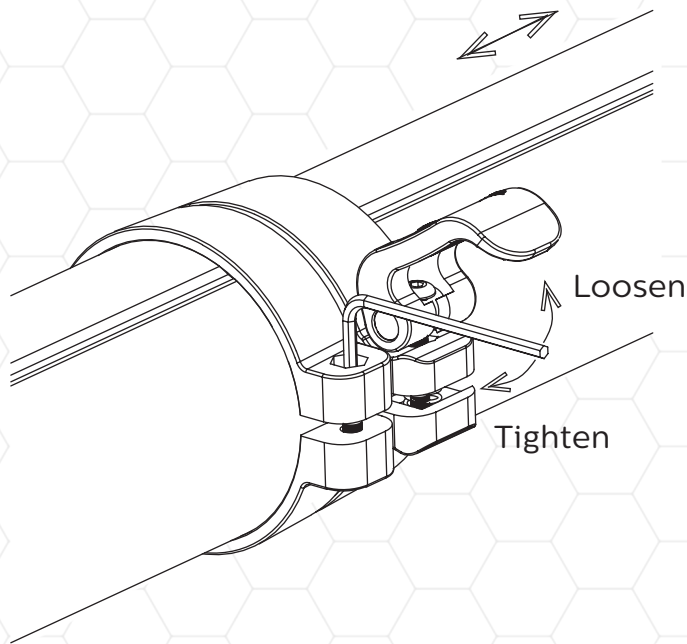
**2**

Rotate groundbar while wrapping the main net around it.

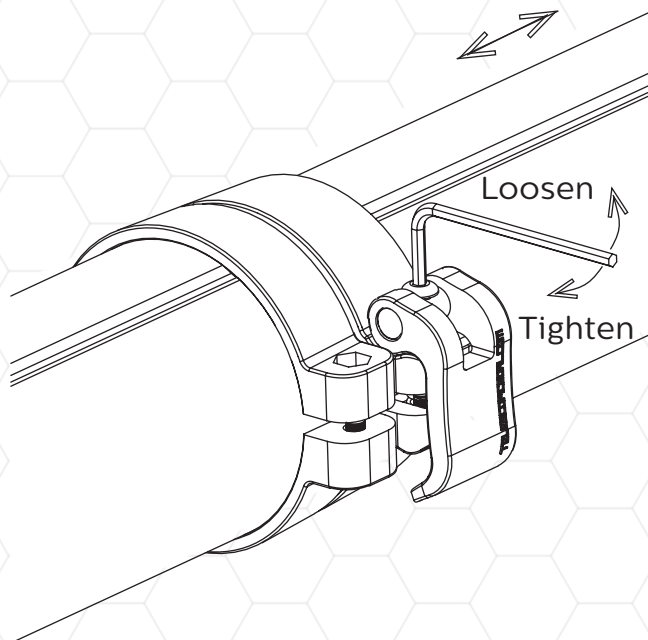
**1**

Unlatch tri-connector at ends of goal.

# CLAMP ADJUSTMENT



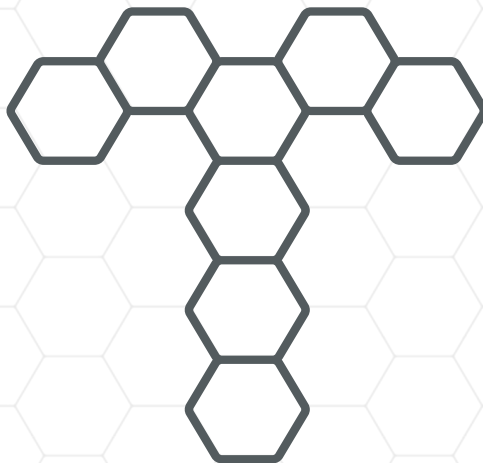
To ensure the plastic clamp connector is secured to the large tube, tighten the bolt with the 3/32 allen key, ensuring the smaller tube slides easily with the clamp open as shown.



Clamp bolt needs to be adjusted so the smaller tube does not slide when clamp is closed (as shown). The tube should slide easily when the clamp is open.

# IMPORTANT

- Goal recommended to be assembled by an adult.
- All latches to be securely clamped to prevent tube movement.
- All spring clips to be fully engaged locking parts in position.
- All bungee cords to be attached to the frame and net as indicated.
- All carabiners to be connected to tags with carabiner latch locked.
- Assemble goal according to provided instructions.
- Inspect goal for defects before every use and repair with authentic Telescopicgoal parts.
- Secure goal to the ground, weights to be used on hard ground or when pegs unavailable.
- The goal frame or net is not to be climbed on.
- The net must be fitted to the frame before use.
- Not suitable for children under 3 years of age.
- Use on a flat surface.
- Dry net before long term storage in bag.



TELESCOPICGOAL.COM