

# TELESCOPIC GOAL



# INSTRUCTION MANUAL

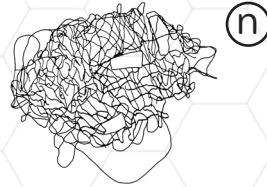
# INCLUDED

## Nets

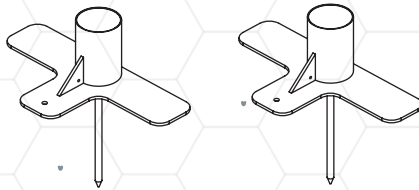
Main net x 1



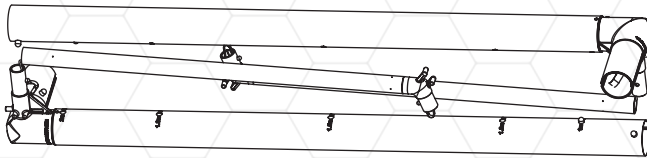
Right hand side net x 1  
(Yellow and Blue Tags)



Soft ground spikes x 2 (G)



Posts x 2 (Left & Right) (P)



• Bag



• Pegs x 16



• 3/32 Allen Key



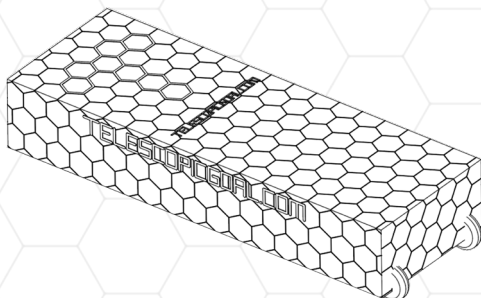
• Guide Ropes x 4



• Cleaning cloth

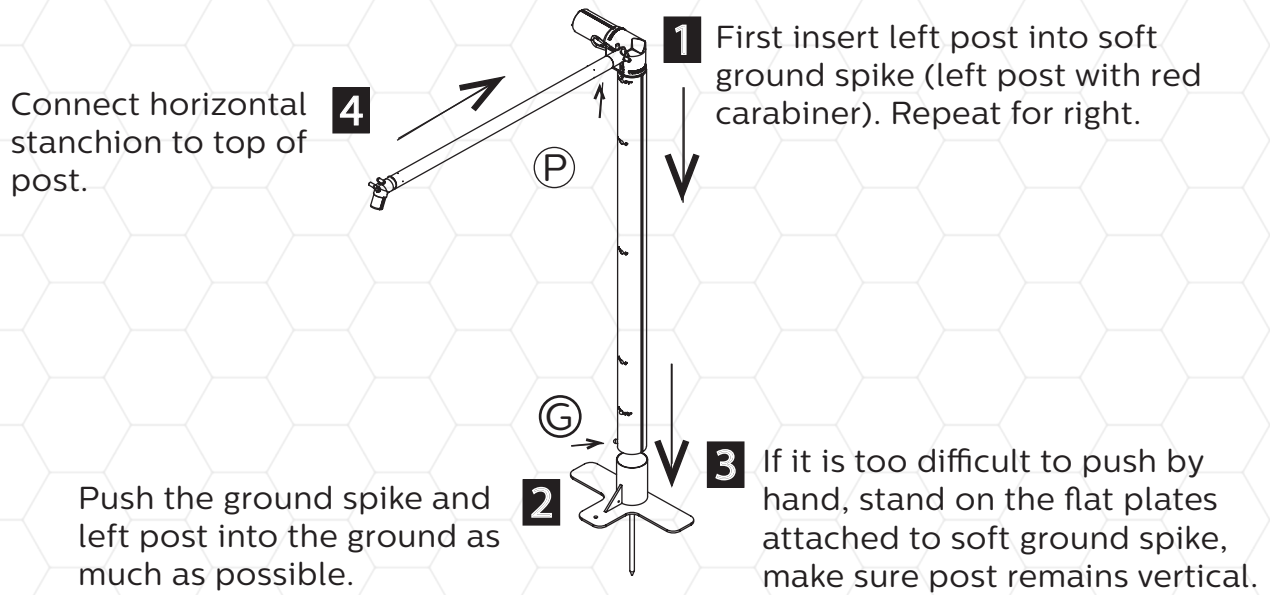


## Bag

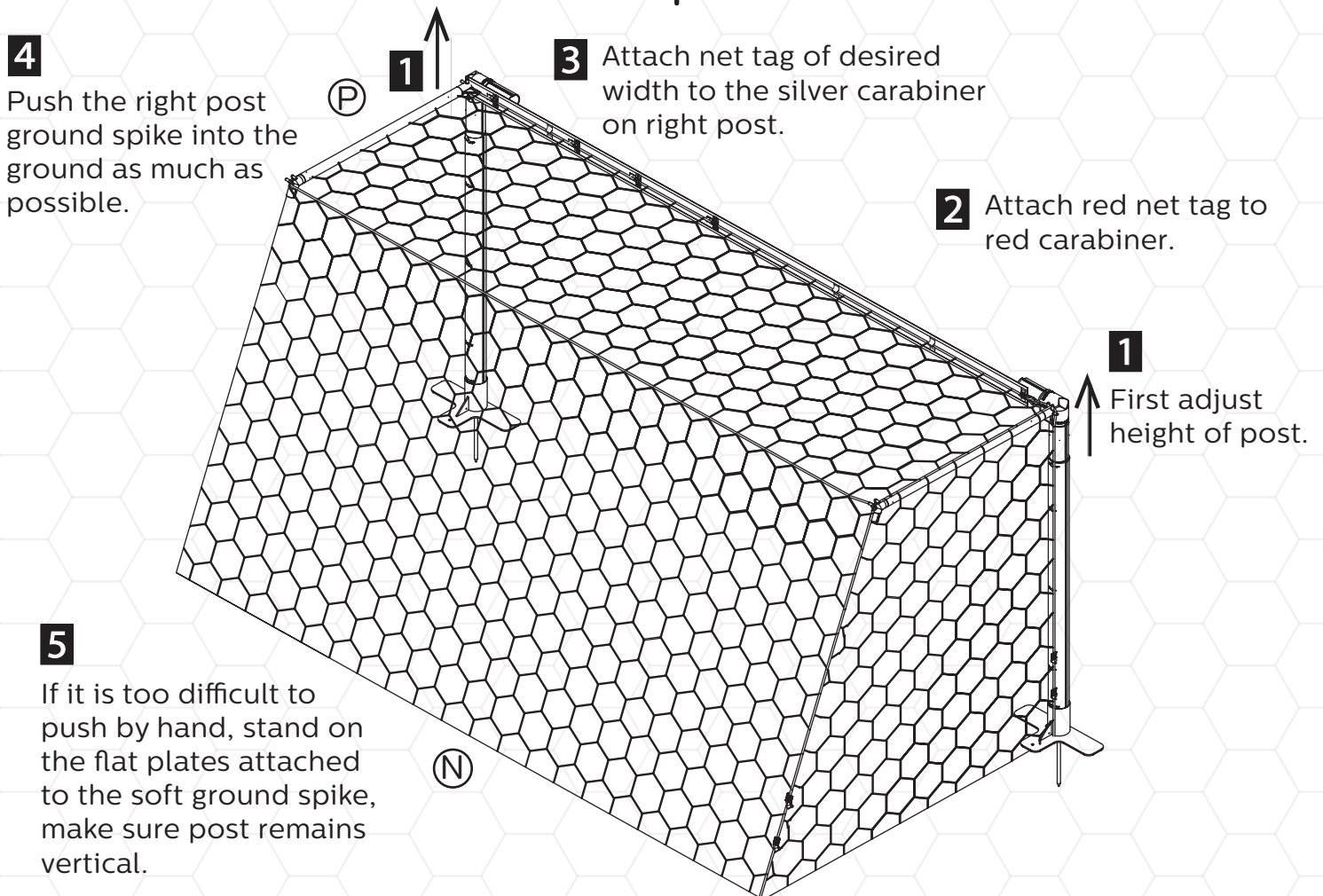


# SETUP

## step 1



## step 2



# SETUP

## step 3

(Attaching side net).

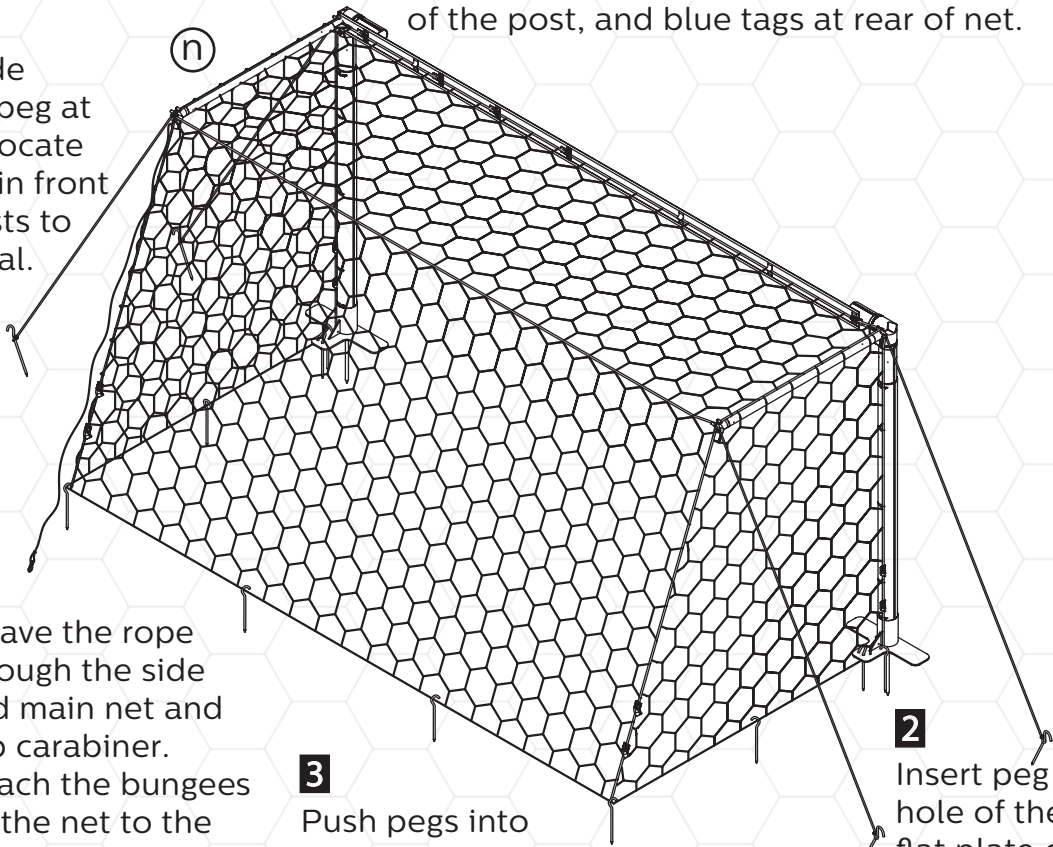
**1** First attach side net and top corners. The yellow tags will be orientated along the base of the post, and blue tags at rear of net.

**4** Attach guide ropes and peg at an angle. Locate front pegs in front of goal posts to keep vertical.

**5** Weave the rope through the side and main net and clip carabiner. Attach the bungees on the net to the post.

**3** Push pegs into the ground to hold base of net down.

**2** Insert peg into the hole of the small flat plate of the left and right soft ground spike.

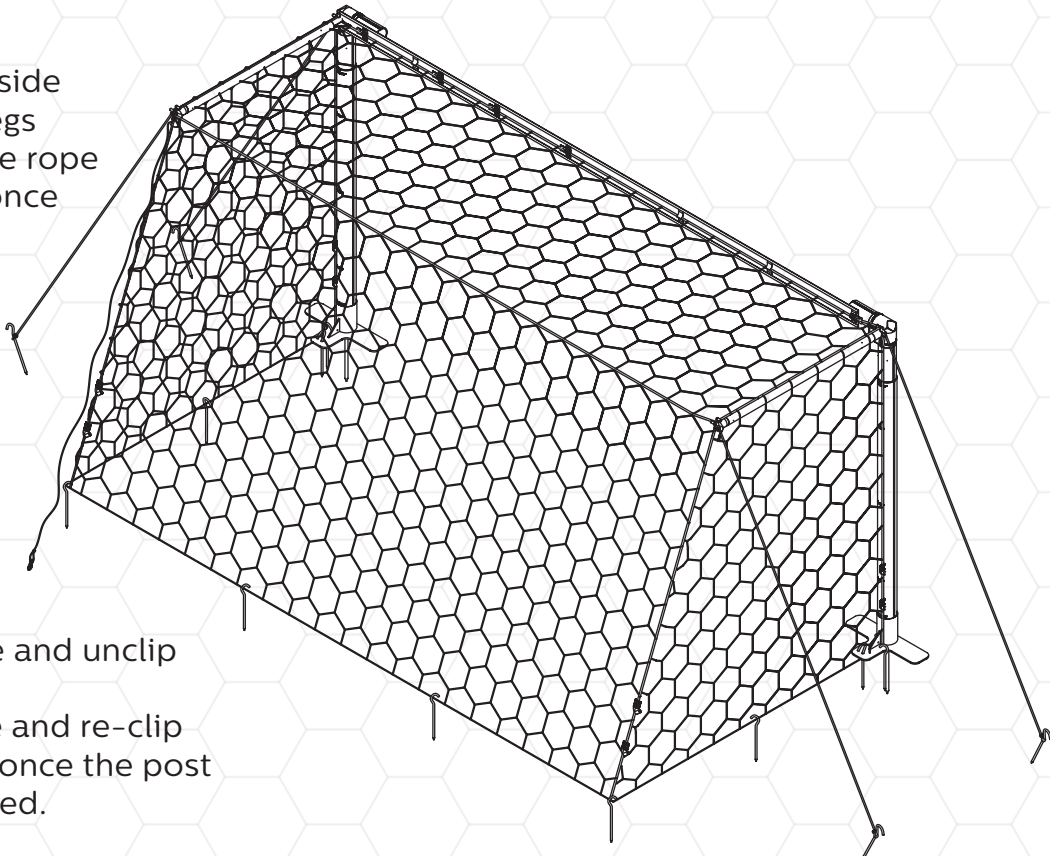


# CHANGE WIDTH

Unhook main net corners and rehook once post is removed.

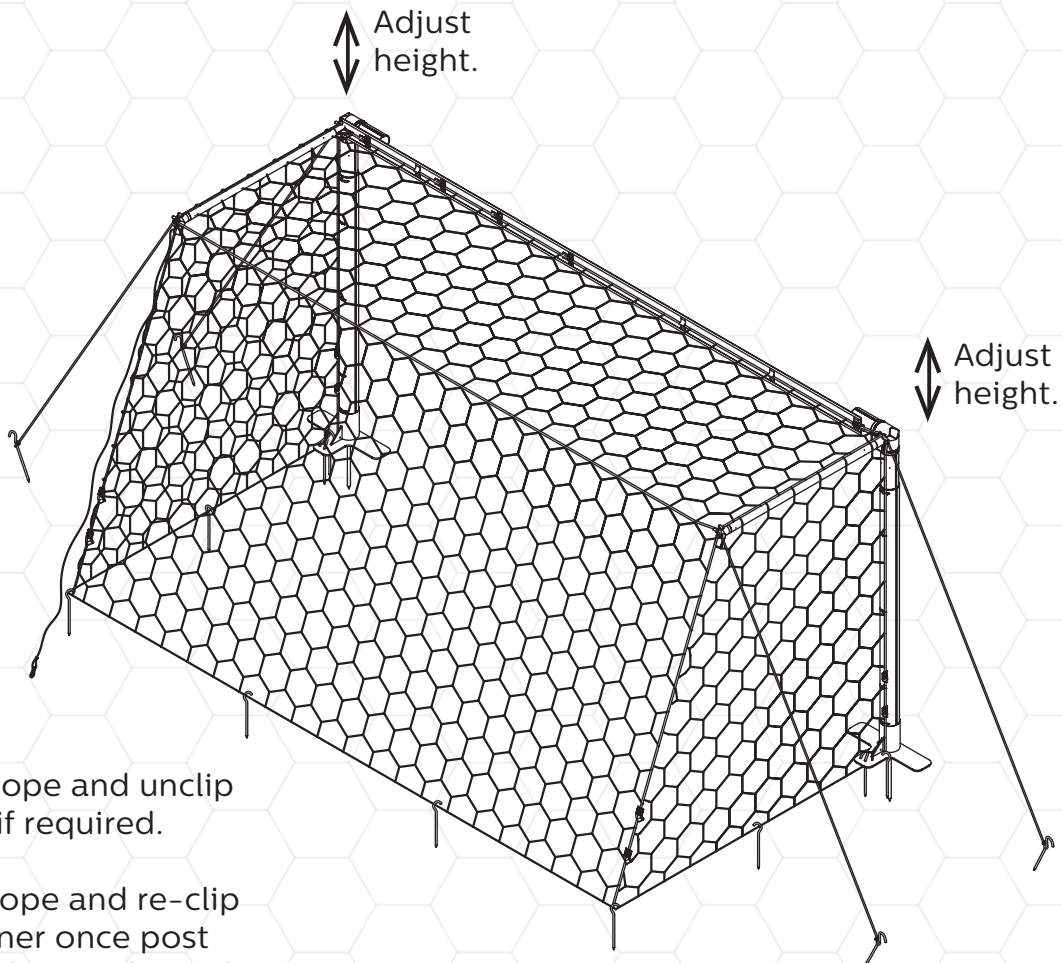
Unclip silver carabiner on right post, lift right post and ground spike out of ground and reclip at desired width. Push ground spike back into the ground while keeping it vertical.

Remove right side net ground pegs and right guide rope pegs. Re-do once post has been moved.



Unweave rope and unclip carabiner. Reweave rope and re-clip the carabiner once the post has been moved.

# CHANGE HEIGHT



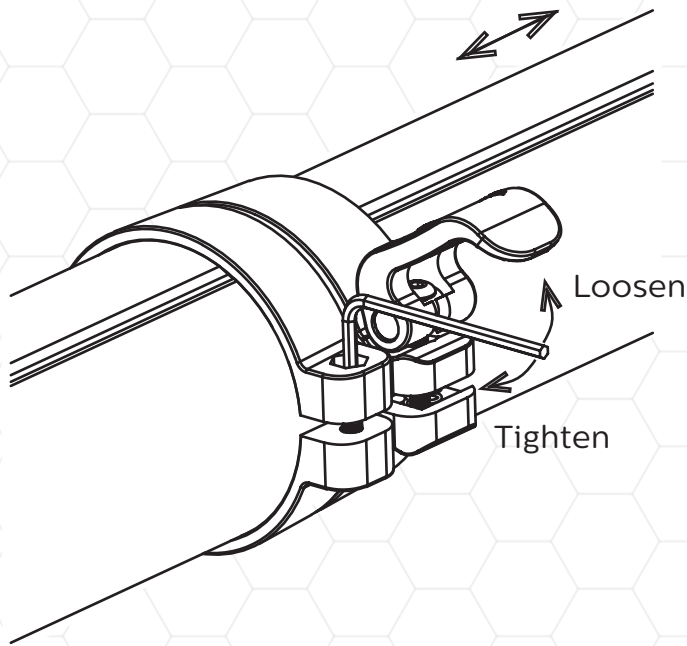
Unweave rope and unclip carabiner if required.

Reweave rope and re-clip the carabiner once post height has been adjusted

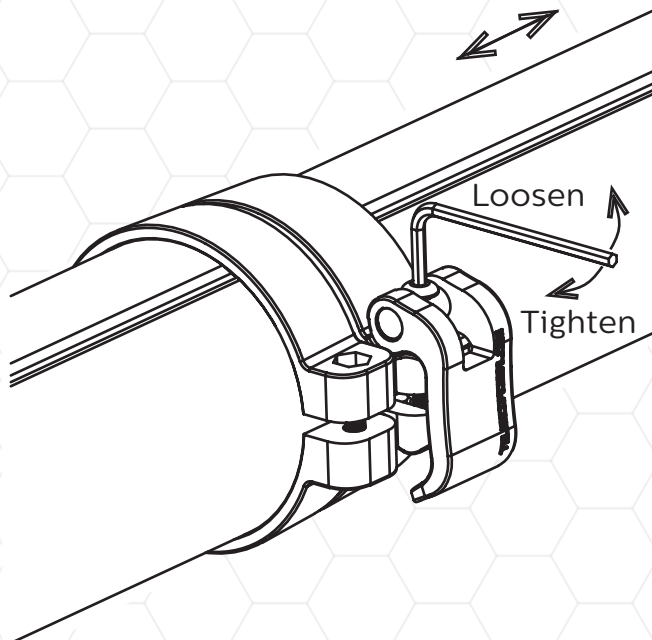
Remove ground pegs holding nets in place. Peg once the post height has been adjusted.

Loosen all guide ropes. Re-tension them once the height has been adjusted.

# CLAMP ADJUSTMENT



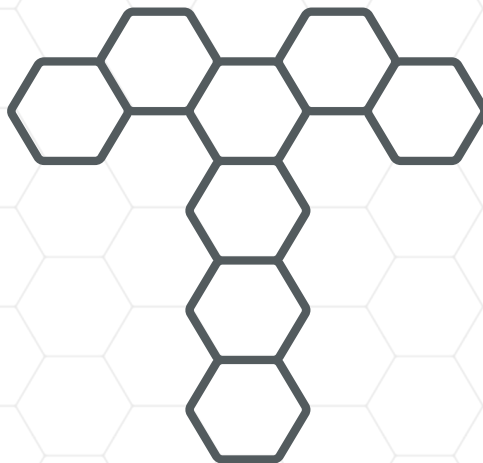
To ensure the plastic clamp connector is secured to the large tube, tighten the bolt with the 3/32 allen key, ensuring the smaller tube slides easily with the clamp open as shown.



Clamp bolt needs to be adjusted so the smaller tube does not slide when clamp is closed (as shown). The tube should slide easily when the clamp is open.

# IMPORTANT

- Goal recommended to be assembled by an adult.
- All latches to be securely clamped to prevent tube movement.
- All spring clips to be fully engaged locking parts in position.
- All bungee cords to be attached to the frame and net as indicated.
- All carabiners to be connected to tags with carabiner latch locked.
- Assemble goal according to provided instructions.
- Inspect goal for defects before every use and repair with authentic Telescopicgoal parts.
- Secure goal to the ground, weights to be used on hard ground or when pegs unavailable.
- The goal frame or net is not to be climbed on.
- The net must be fitted to the frame before use.
- Not suitable for children under 3 years of age.
- Use on a flat surface.
- Dry net before long term storage in bag.
- Clean spikes and pegs before storage.



TELESCOPICGOAL.COM