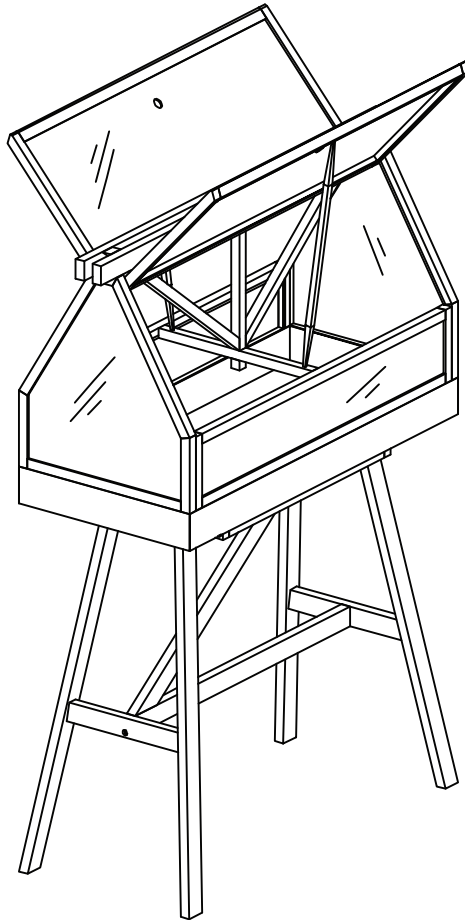
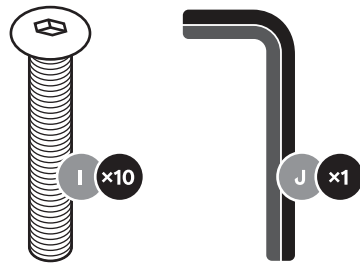
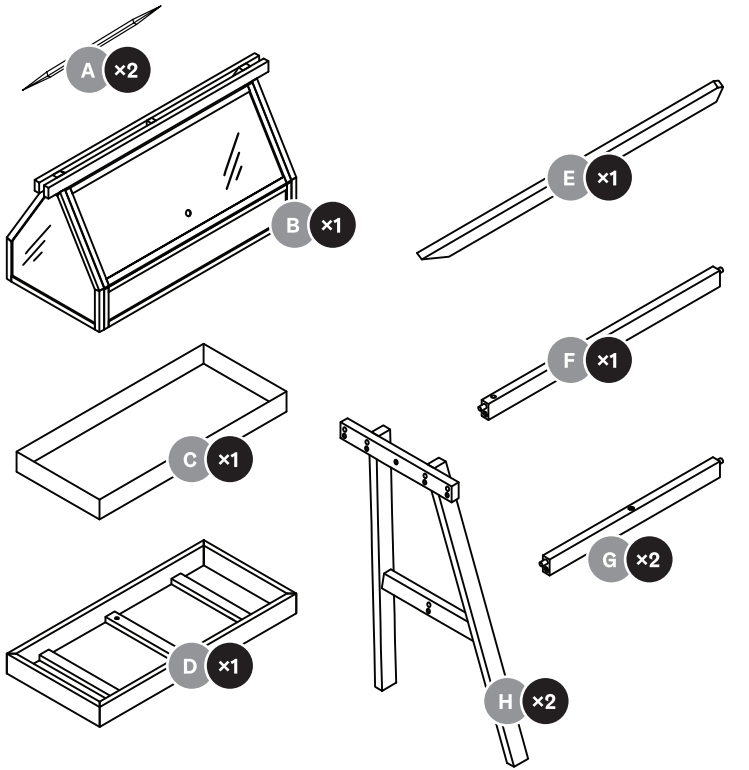


Design House *Stockholm*

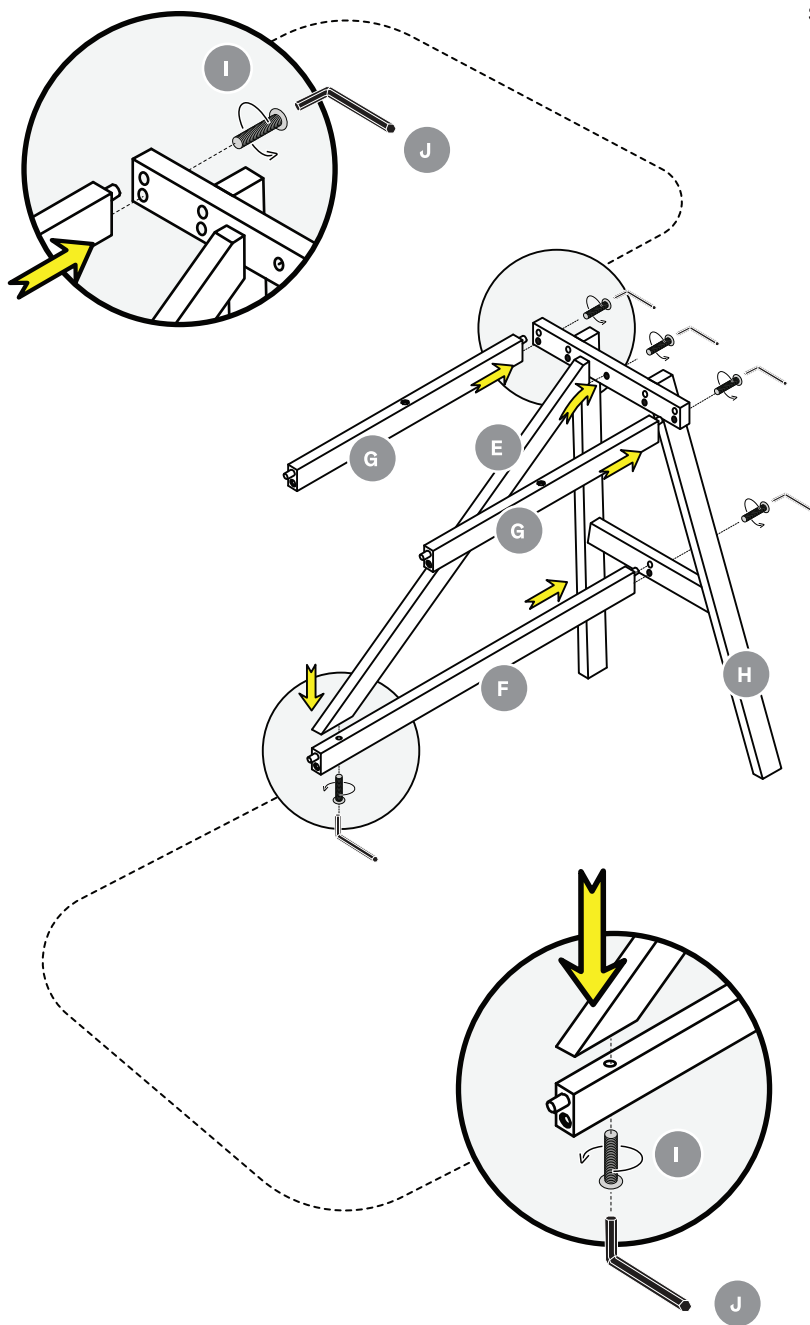


Assembly Instructions
Greenhouse (2642-1500) & (2642-8100)

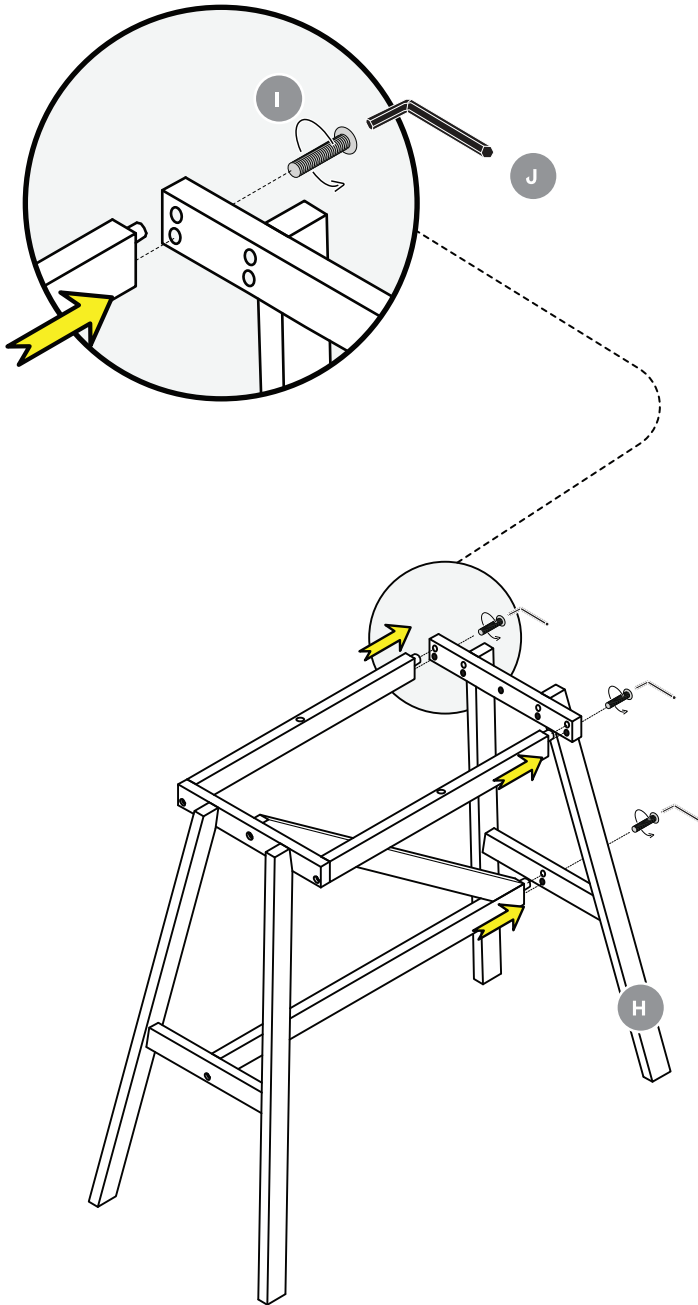
Components:



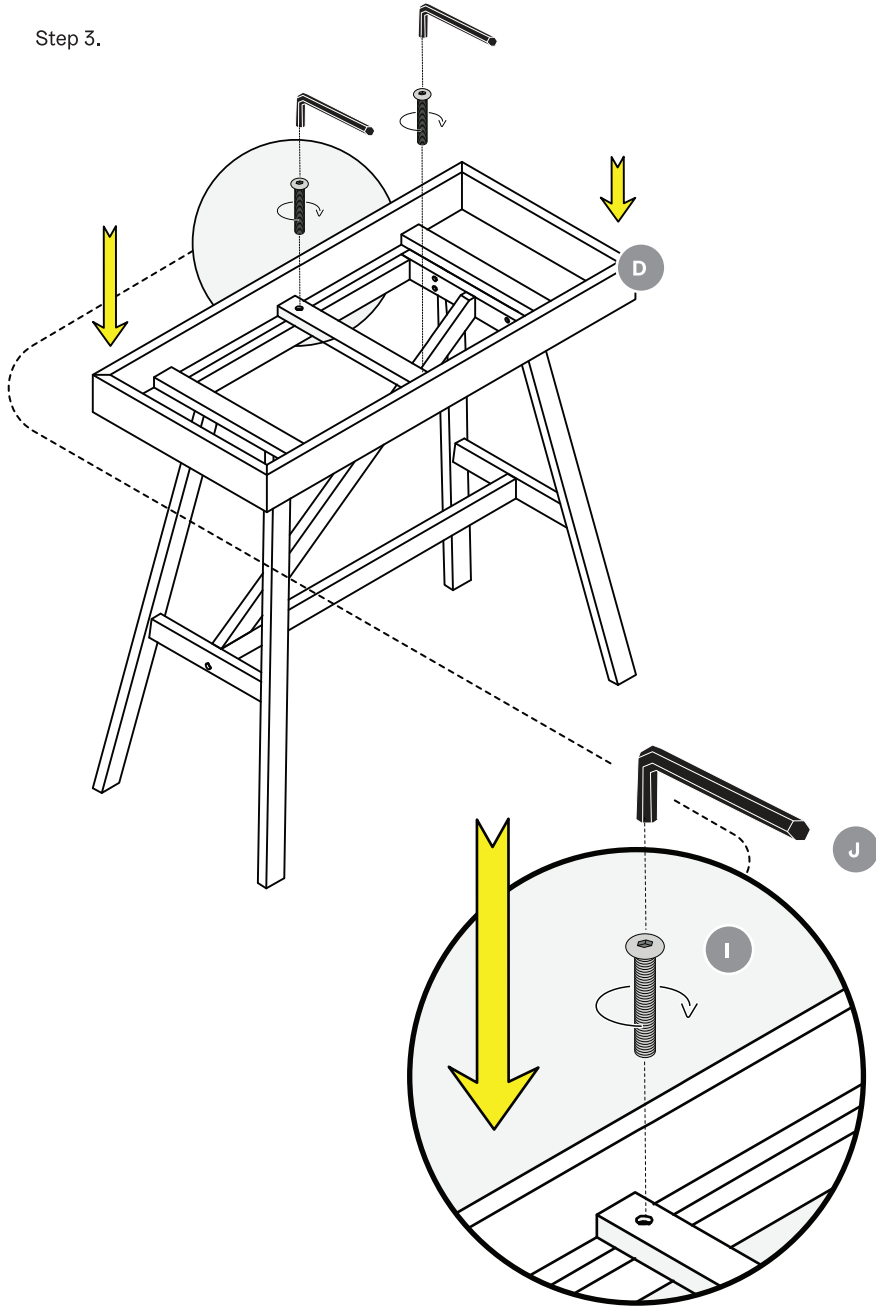
Step 1.



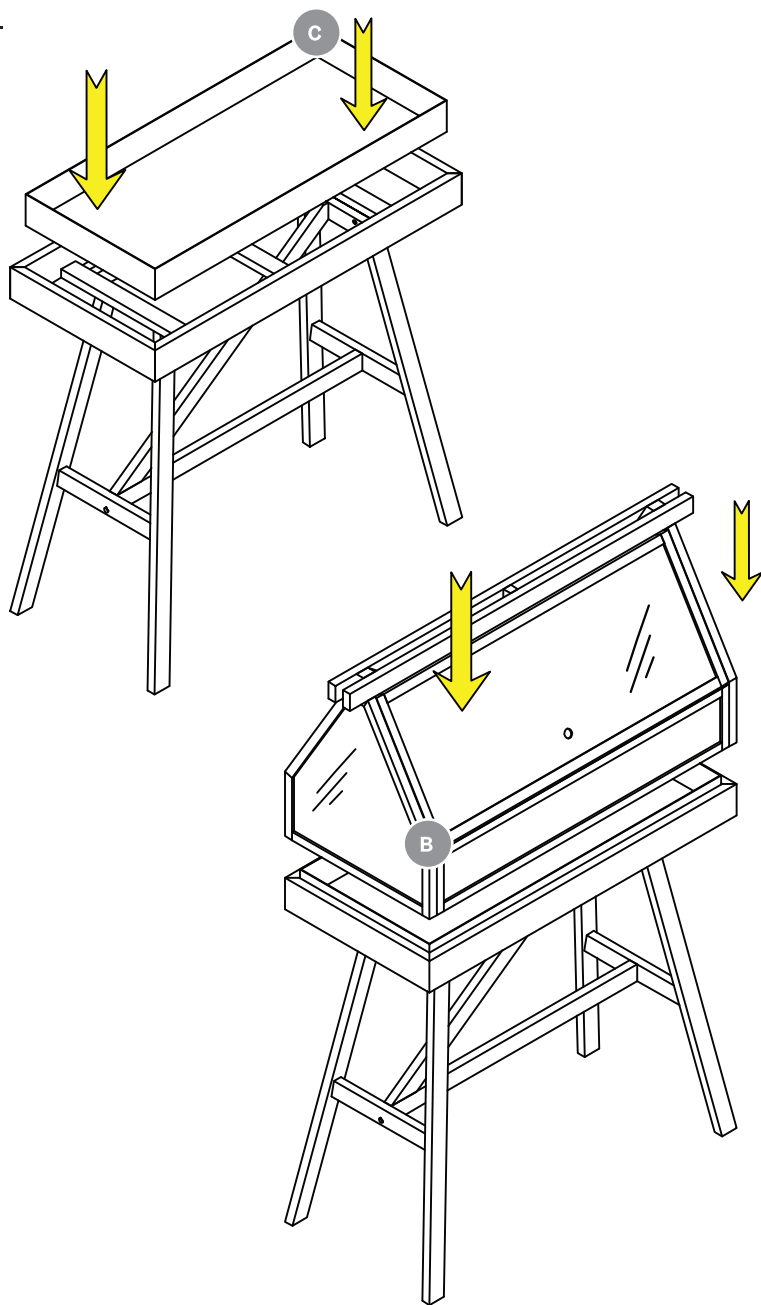
Step 2.



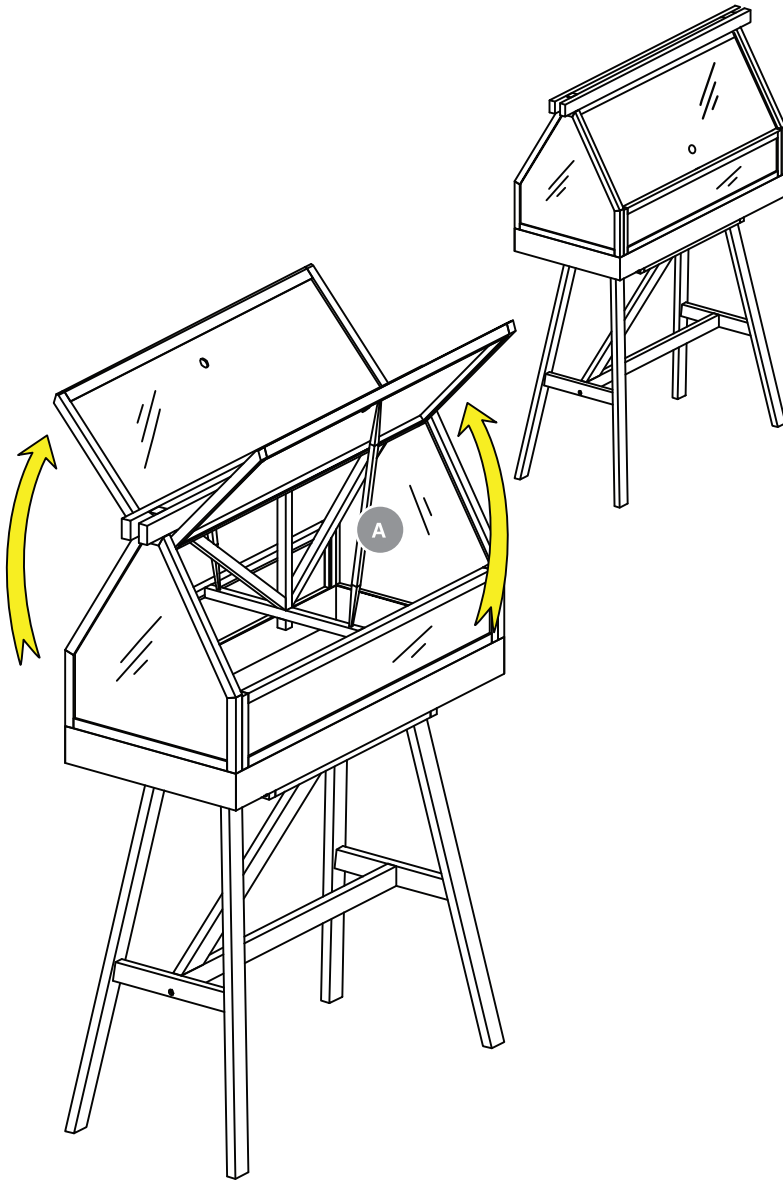
Step 3.



Step 4.



Step 5.



designhousetockholm.us
@designhousetockholm.us