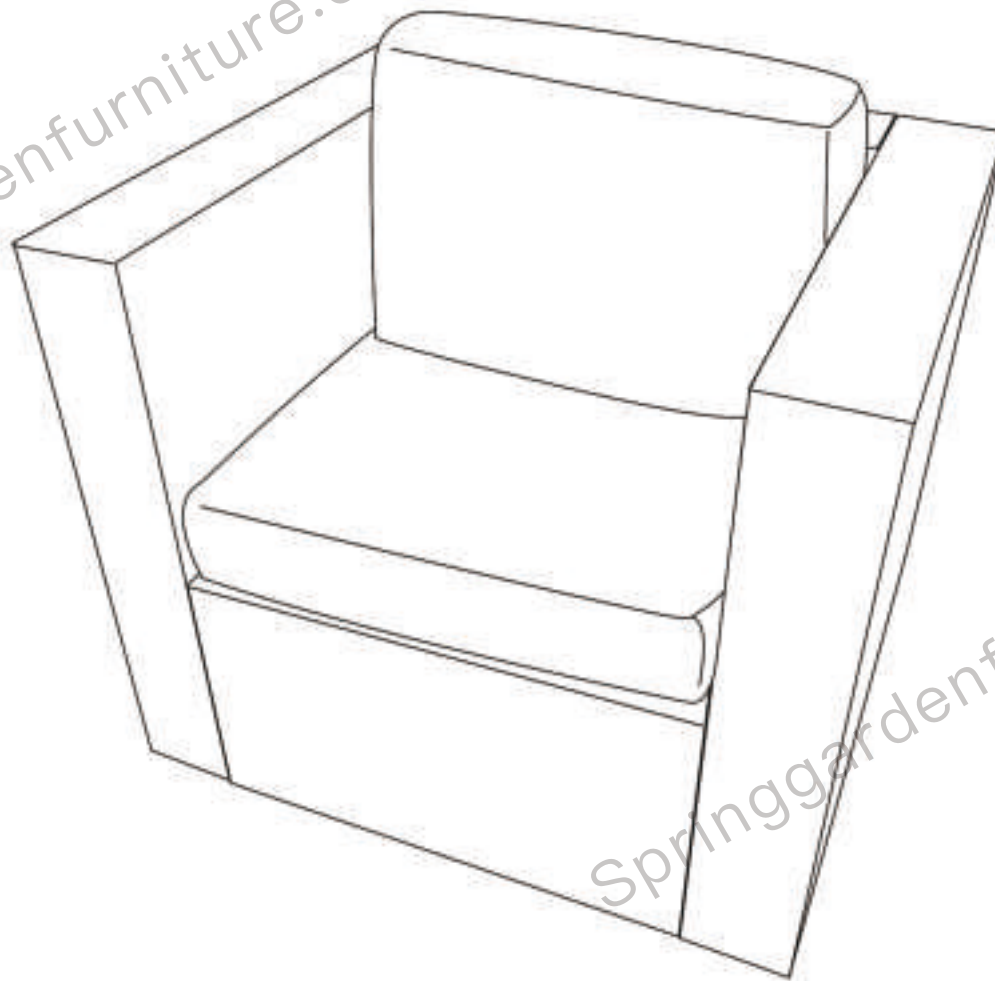




SPRING GARDEN FURNITURE

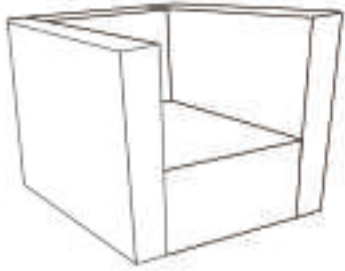
# ASSEMBLY INSTRUCTION



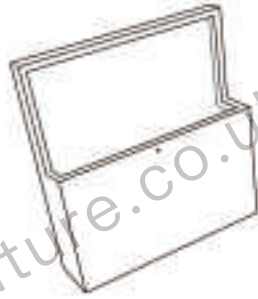
Springgardenfurniture.co.uk

Springgardenfurniture.co.uk

▶ A



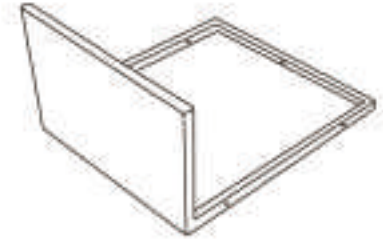
PARTS



A-1 x1

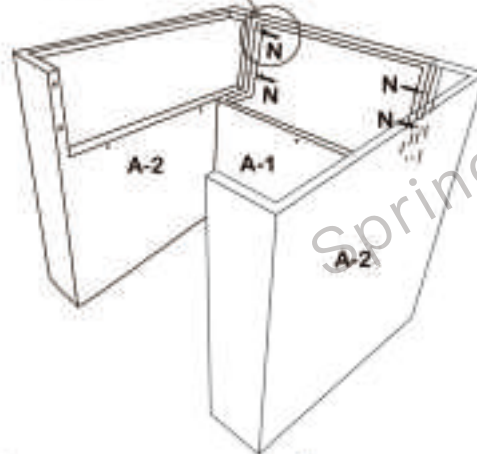
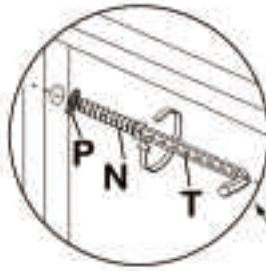


A-2 x2

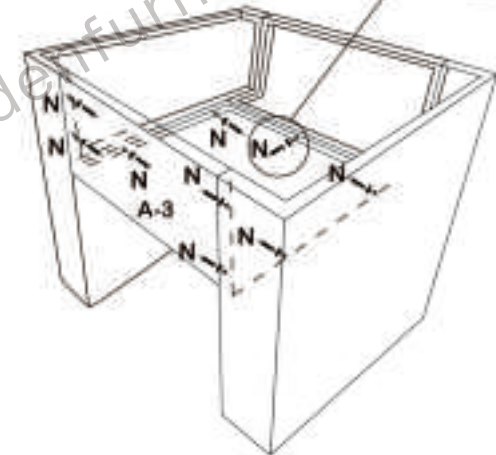
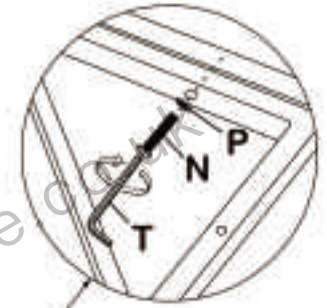


A-3 x1




1



2



PARTS LIST ( Accessories )

Part	Picture	Qty
N		13
P		13
T		1

*Do Not tighten any screws before assemble completely*