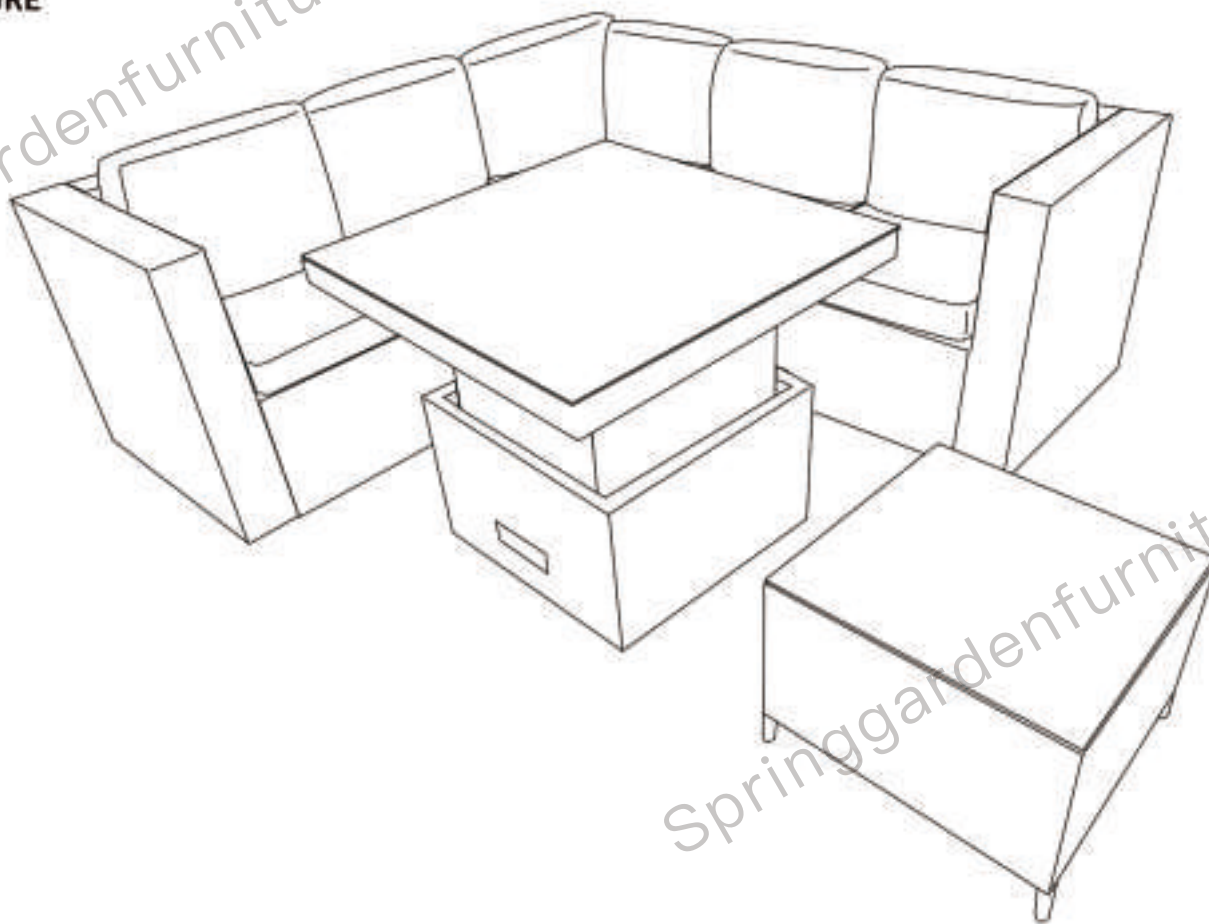
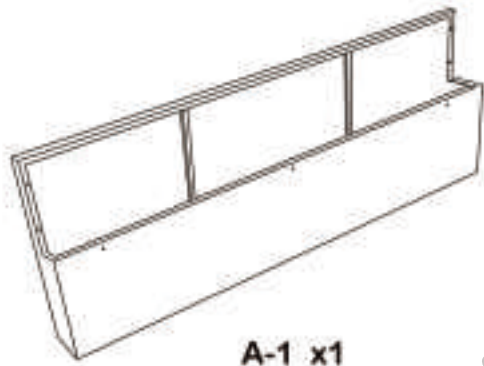




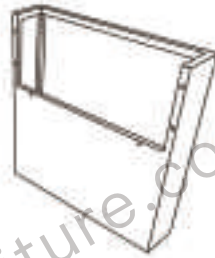
SPRING GARDEN FURNITURE

ASSEMBLY INSTRUCTION

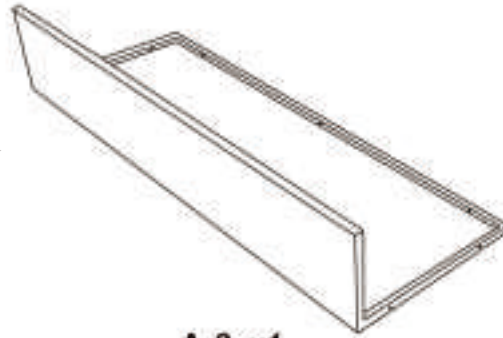




A-1 x1



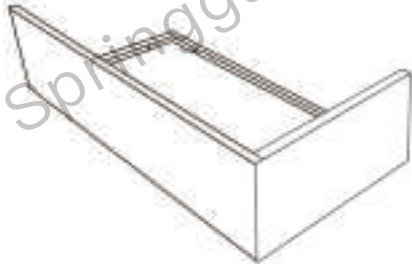
A-2 x3



A-3 x1



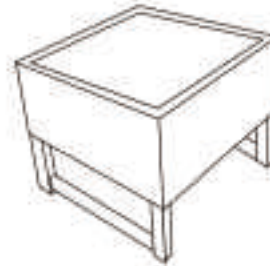
B-1 x1



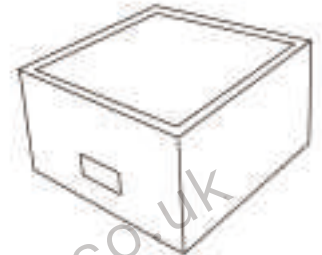
B-3 x1



C-1 x1



C-2 x1



C-3 x1







C-4 x1

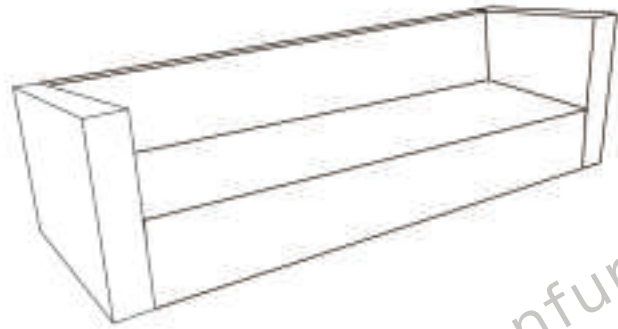


D-1 x1

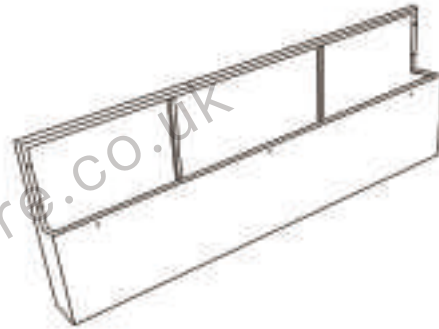
PARTS LIST (Accessories)

Part	Picture	Qty
N		45
P		45
T		1
U		2

▶ A



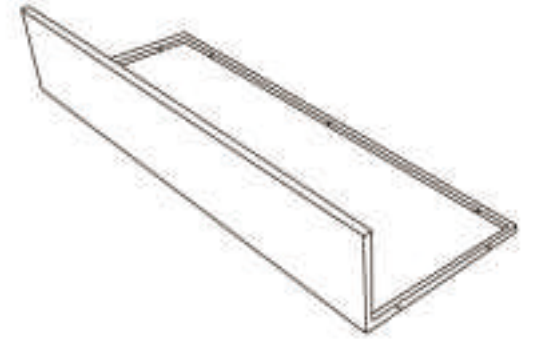
PARTS



A-1 x1

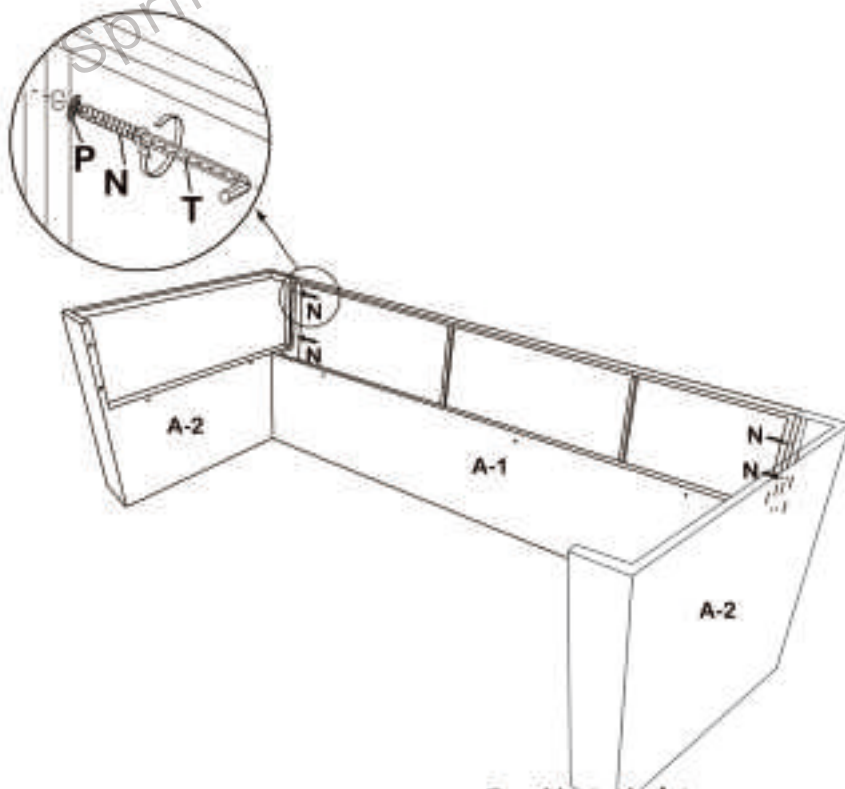


A-2 x2

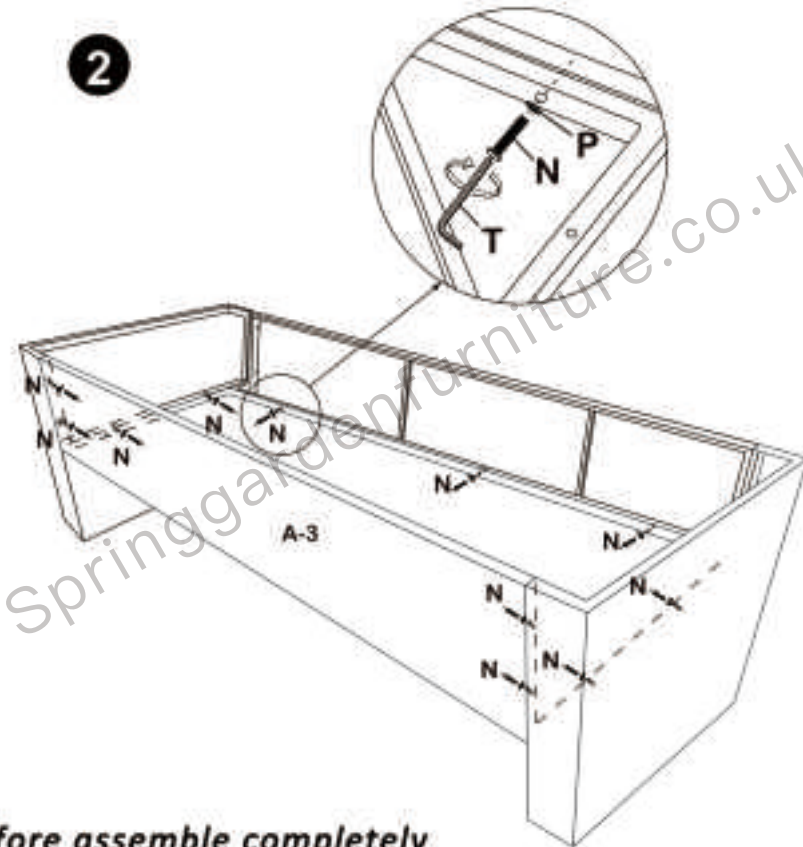


A-3 x1

1



2

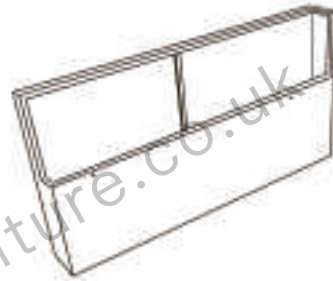


Do Not tighten any screws before assemble completely

▶ B



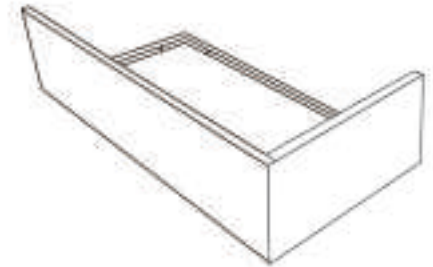
PARTS



B-1 x1

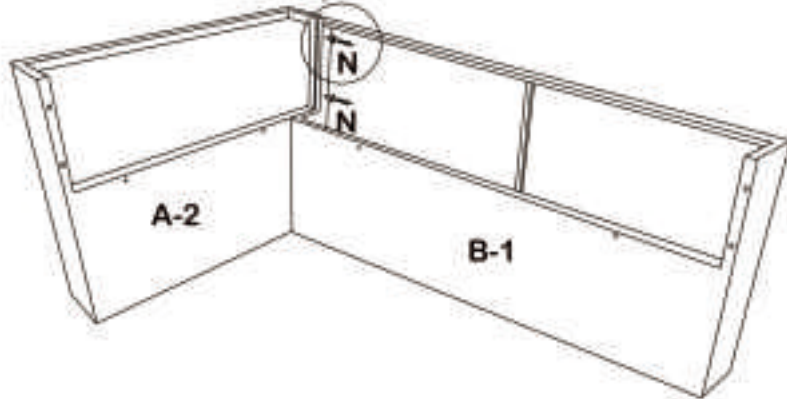


A-2 x1

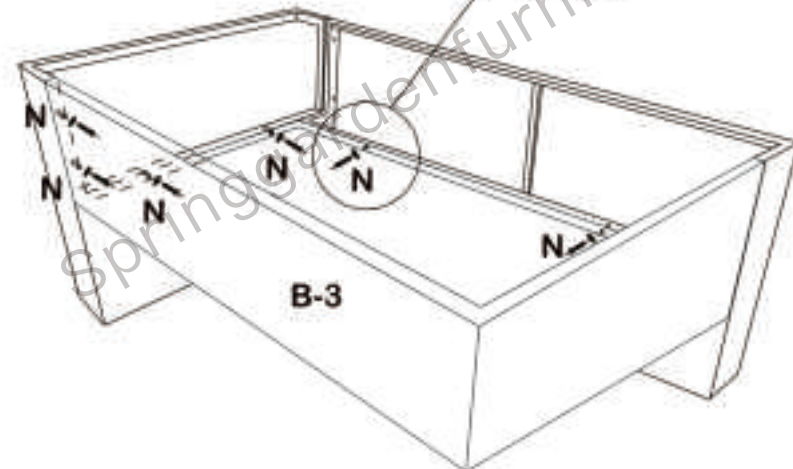
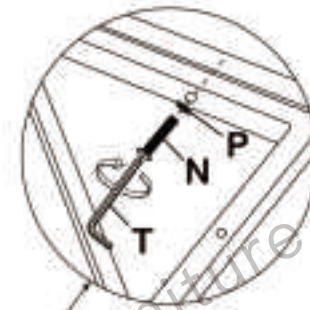


B-3 x1

1

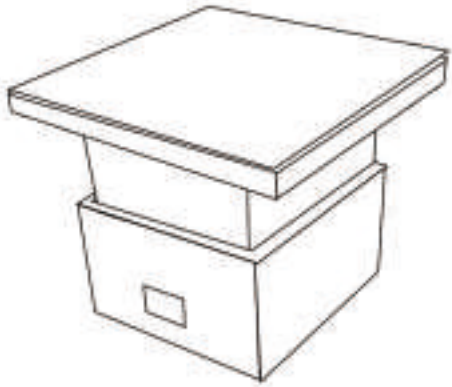


2



Do Not tighten any screws before assemble completely

▶ C



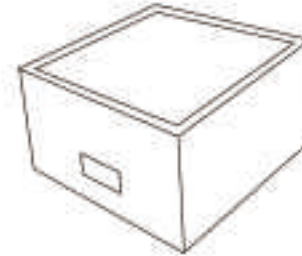
PARTS



C-1 x1



C-2 x1

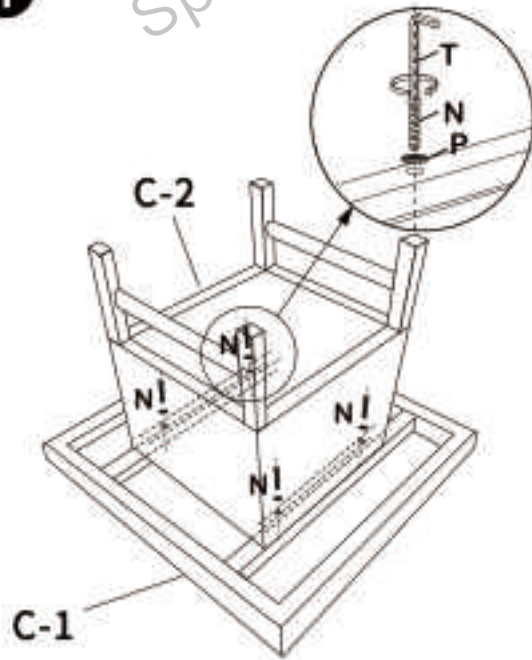


C-3 x1

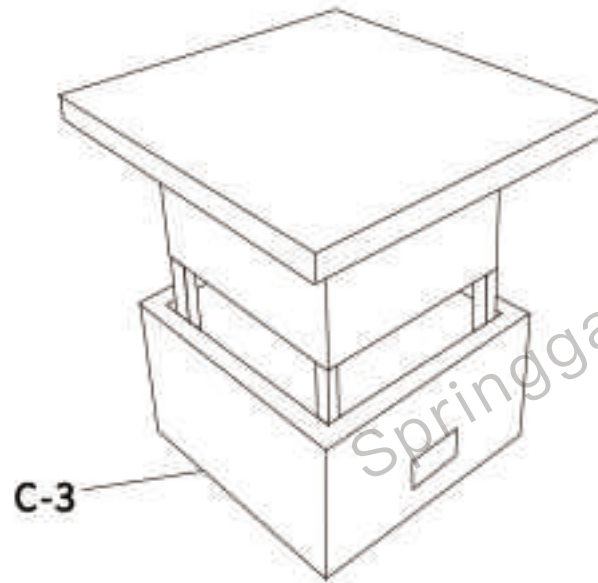


C-4 x1

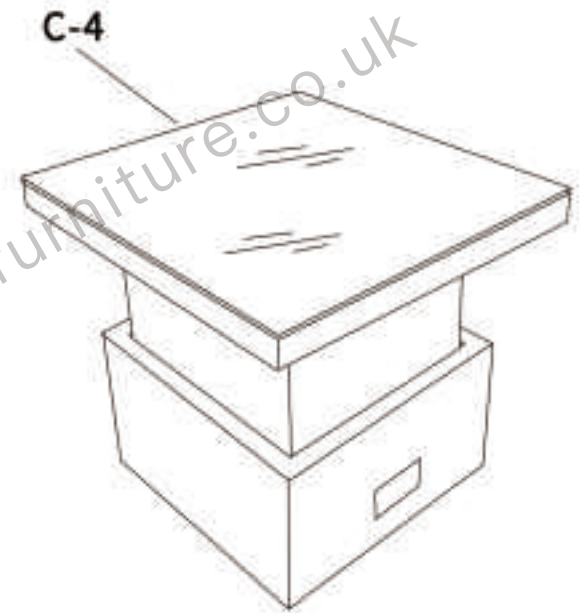
1



2

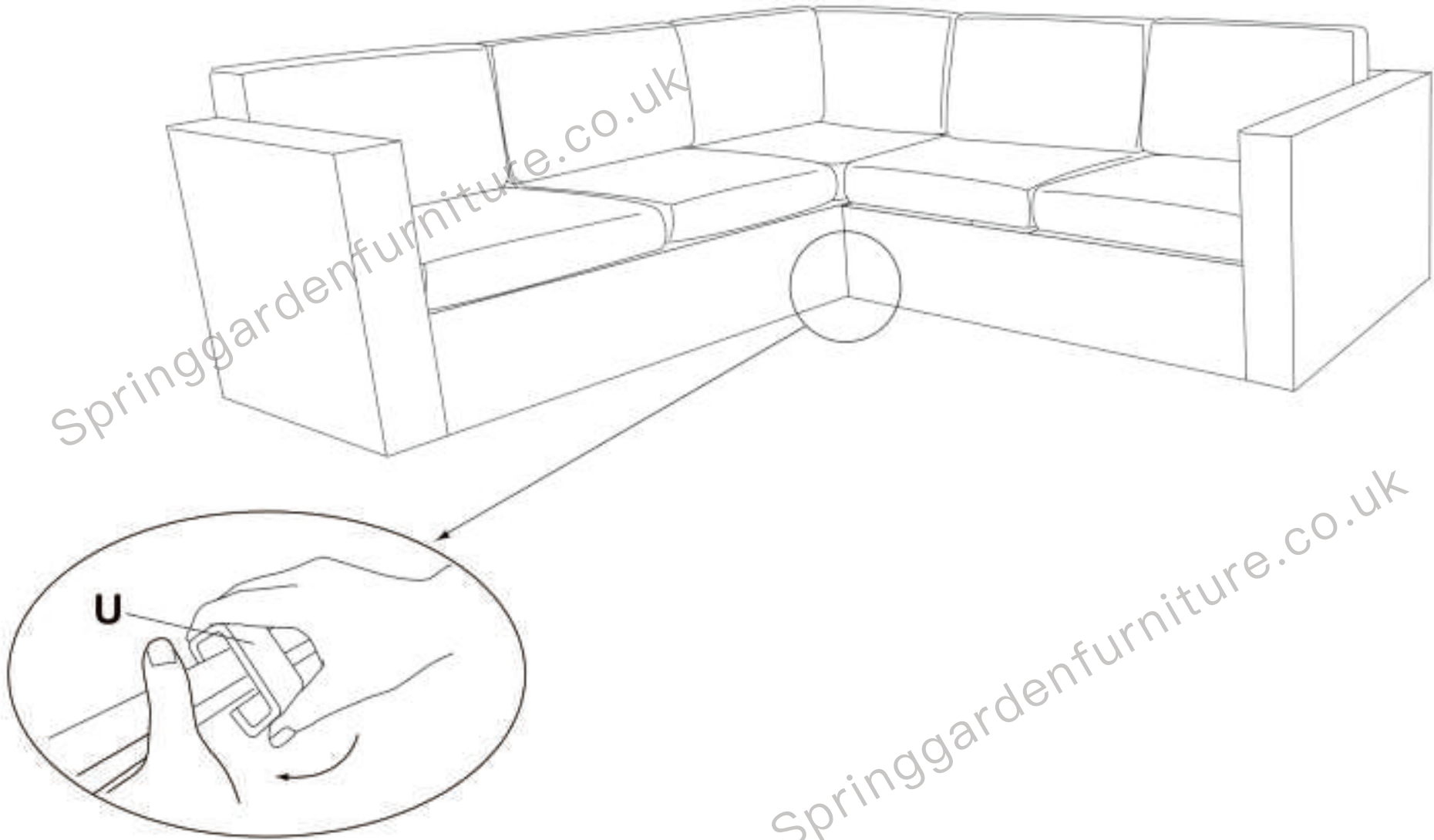


3



Do Not tighten any screws before assemble completely

► P.S.



Furniture Fastener / Connector

Recommend 2 fasteners per two adjoining module.

Prevent modular or sectional wicker furniture from moving.