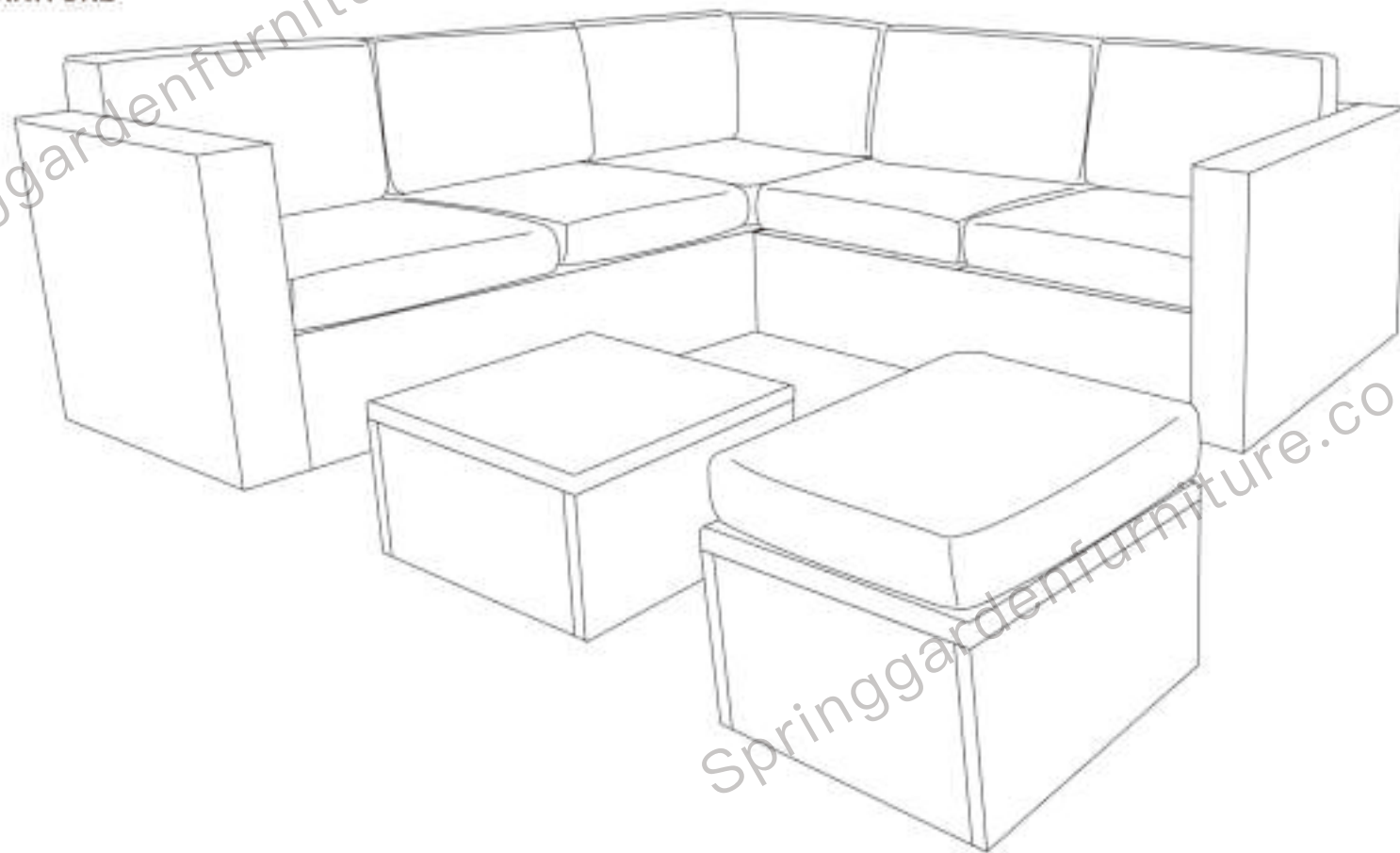
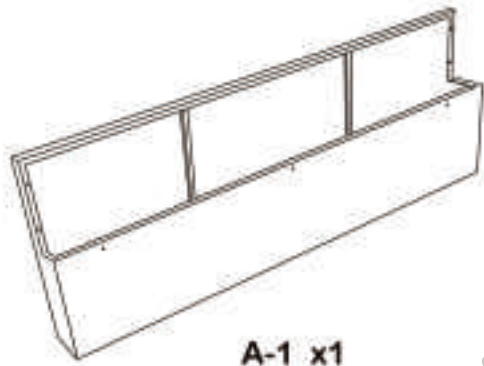




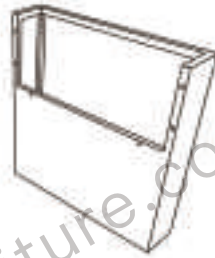
SPRING GARDEN FURNITURE

ASSEMBLY INSTRUCTION

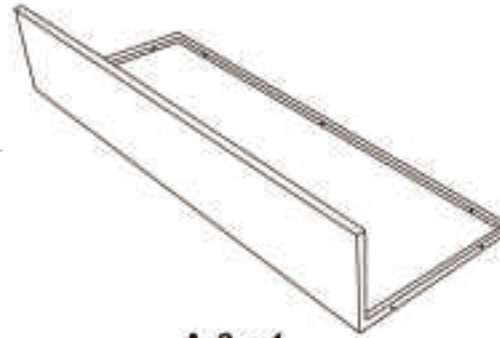




A-1 x1



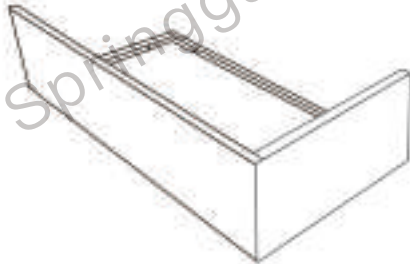
A-2 x3



A-3 x1



B-1 x1



B-3 x1







C-1 x1



C-2 x4

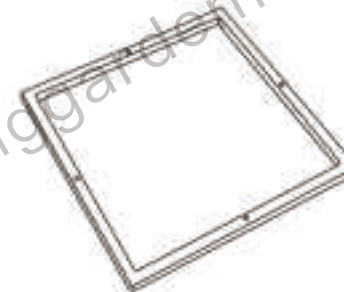


C-3 x4

PARTS LIST (Accessories)		
Part	Picture	Qty
N		49
P		49
T		1
U		2



C-4 x1

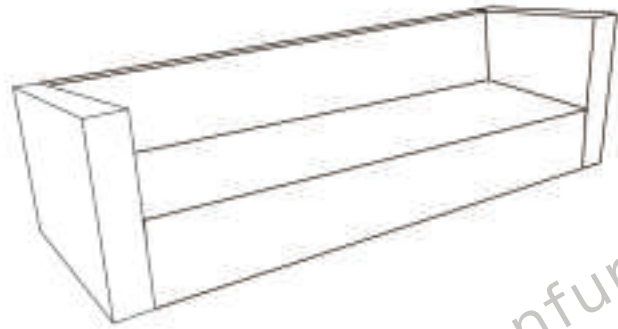


D-1 x1

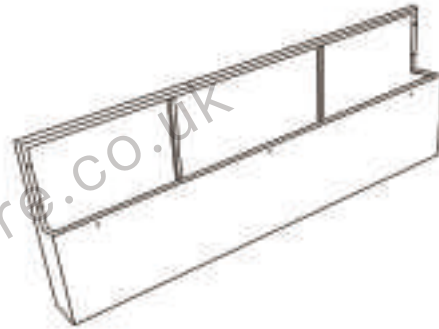


D-4 x1

▶ A



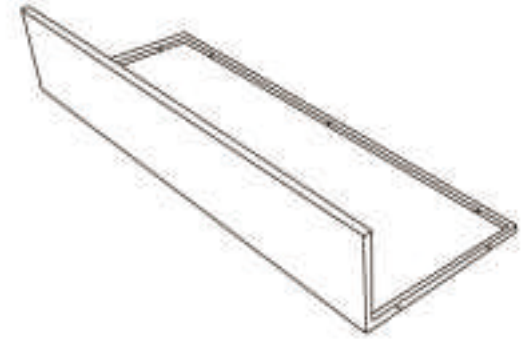
PARTS



A-1 x1

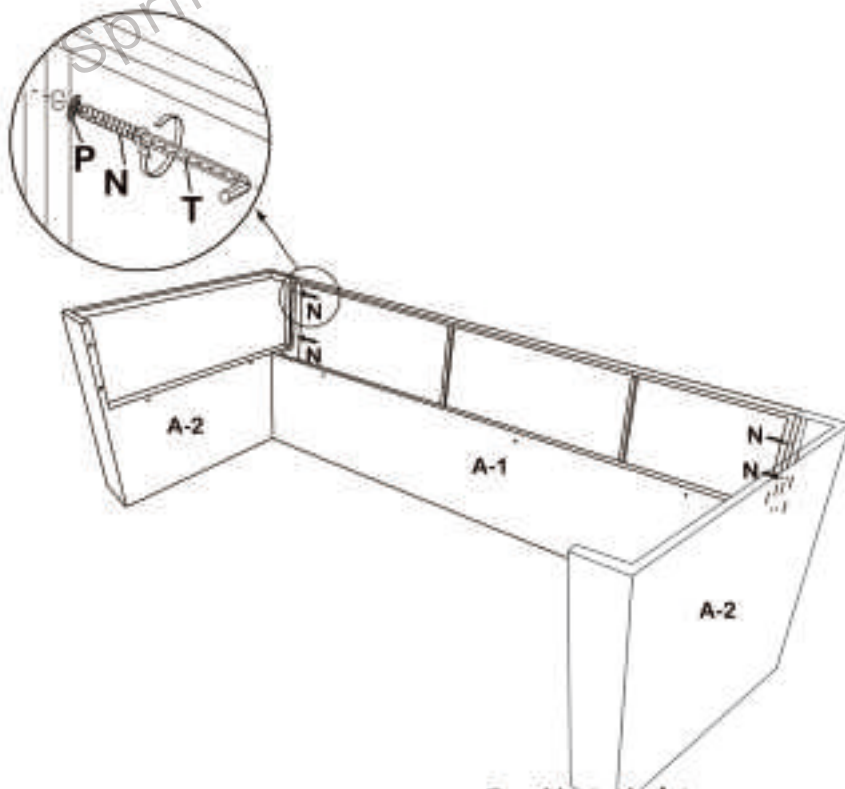


A-2 x2

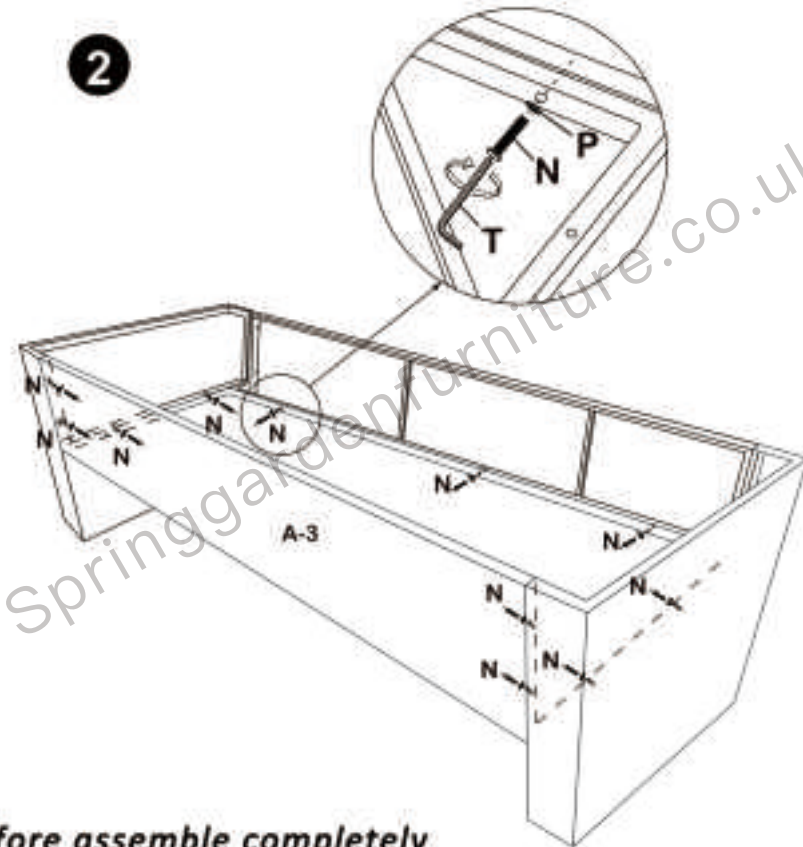


A-3 x1

1



2

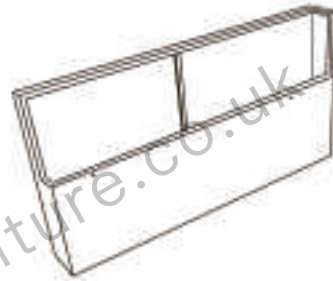


Do Not tighten any screws before assemble completely

▶ B



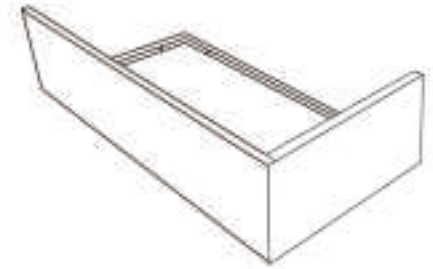
PARTS



B-1 x1

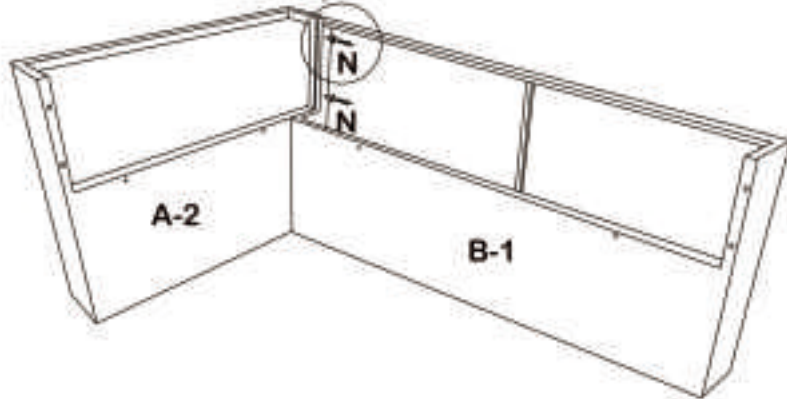


A-2 x1

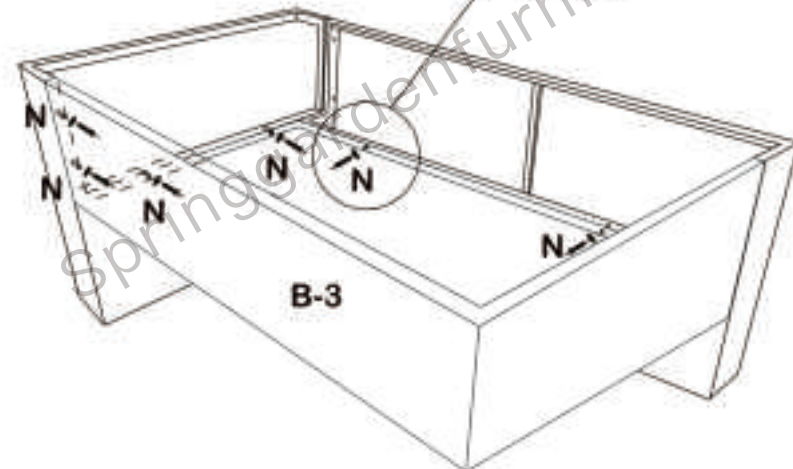
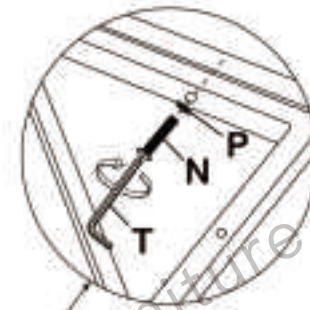


B-3 x1

1

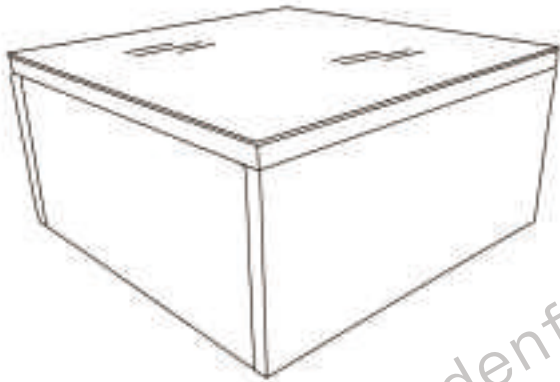


2

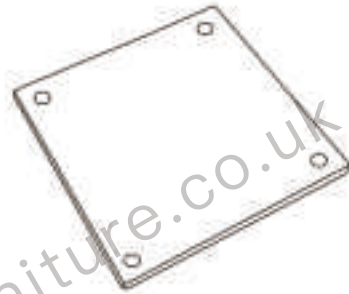


Do Not tighten any screws before assemble completely

▶ C



PARTS



C-1 x1



C-2 x2

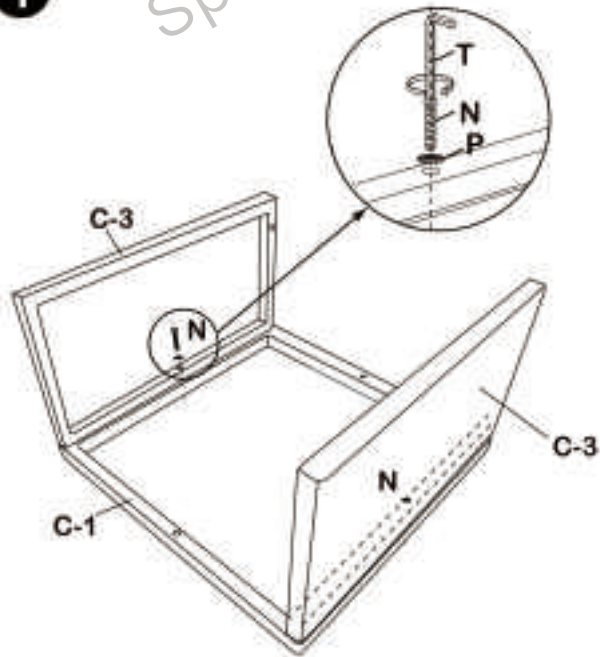


C-3 x2

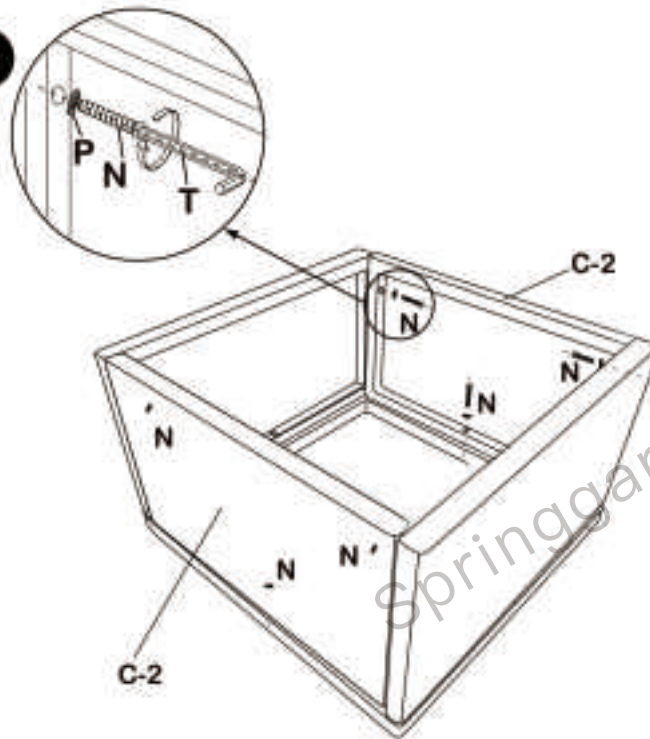


C-4 x1

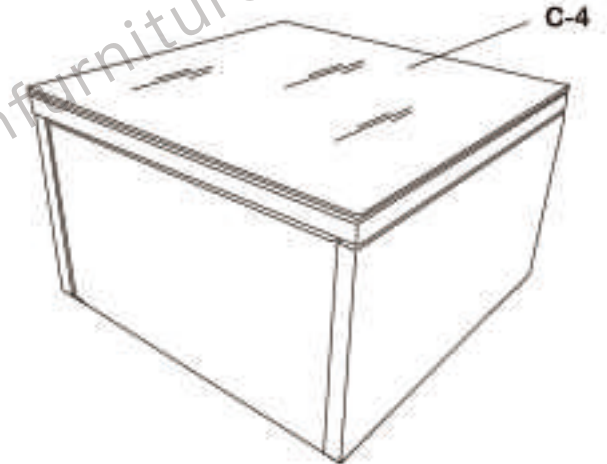
1



2

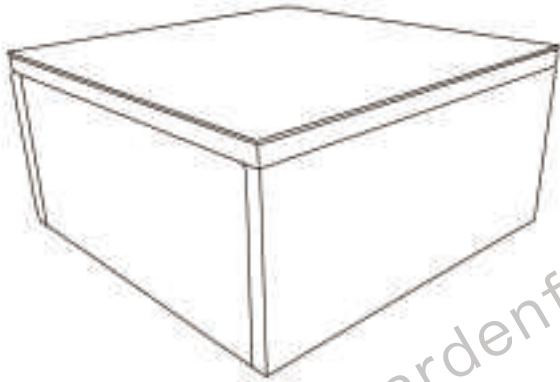


3



Do Not tighten any screws before assemble completely

▶ D



PARTS



D-1 x1



C-2 x2

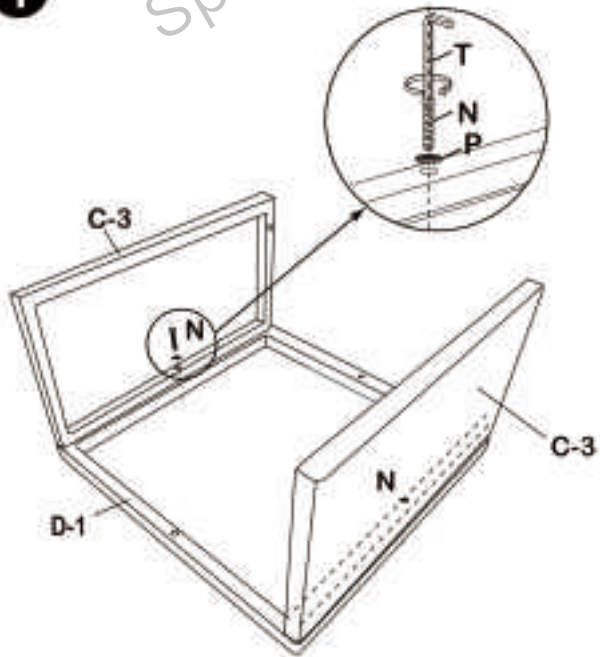


C-3 x2

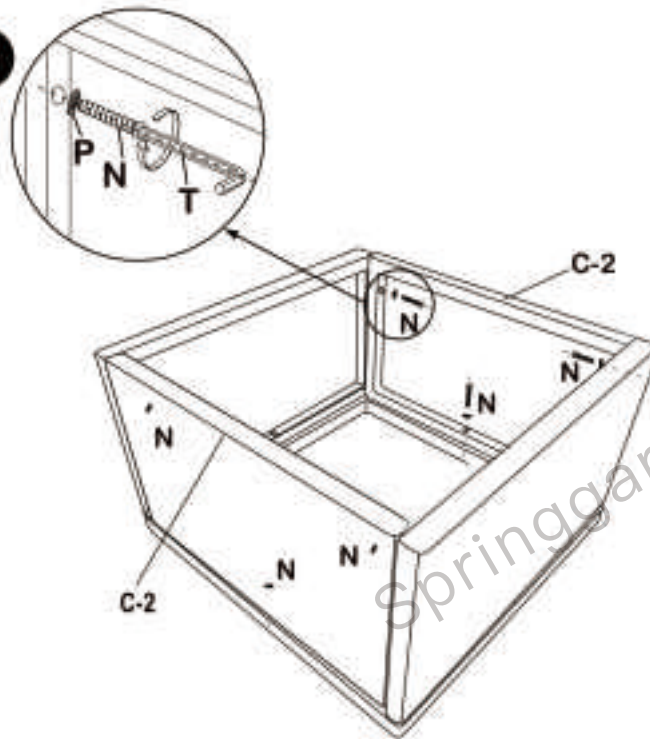


D-4 x1

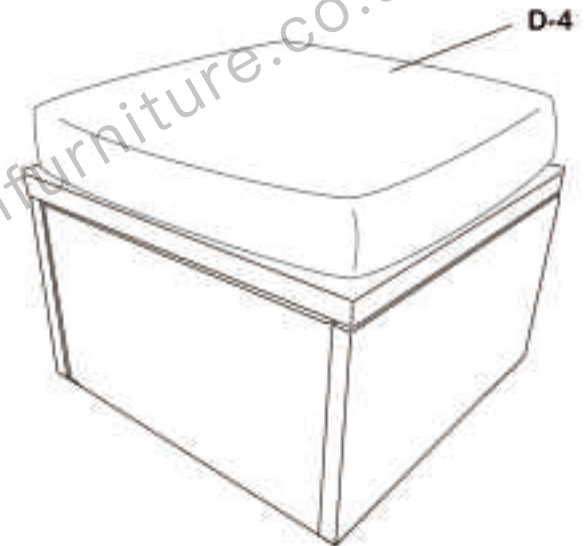
1



2

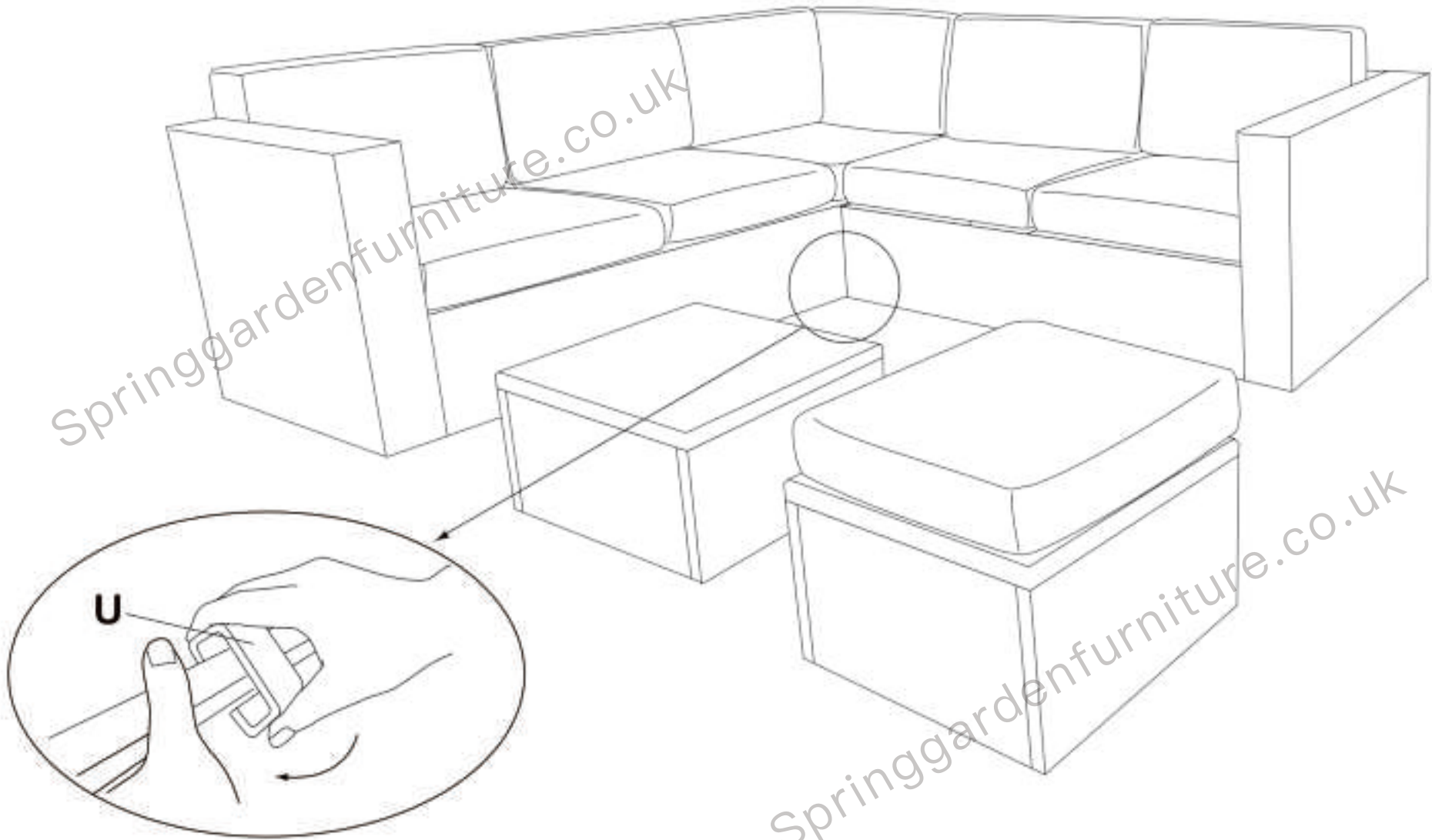


3



Do Not tighten any screws before assemble completely

► P.S.



Furniture Fastener / Connector

Recommend 2 fasteners per two adjoining module.

Prevent modular or sectional wicker furniture from moving.