

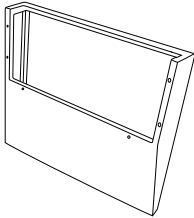
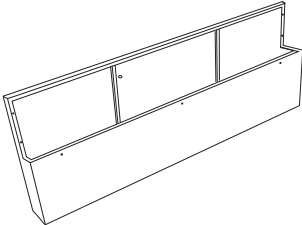
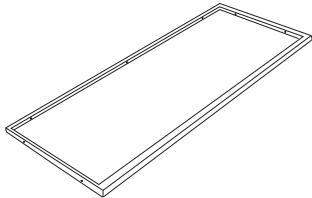
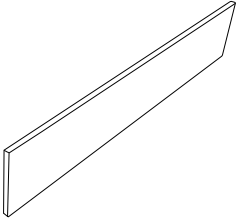
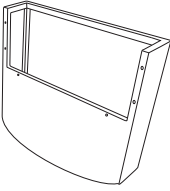



# KG07

## Installation instructions



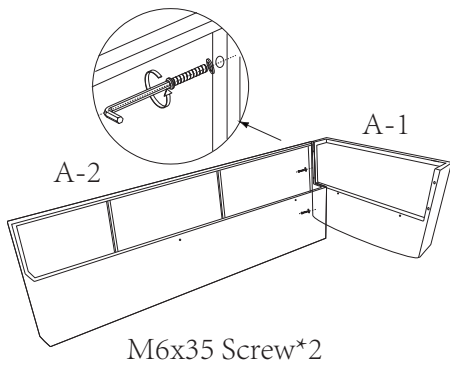
# ASSEMBLY INSTRUCTION

Page 1/5

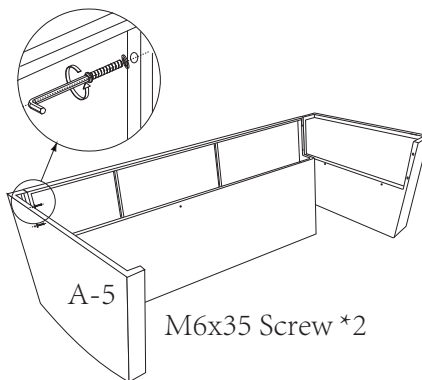
|            |   |  |  |   |
|------------|---|--|--|---|
|            | <b>A-1 (1pc)</b>  | <b>A-2 (1pc)</b>   | <b>A-3 (1pc)</b>   | <b>A-4 (1pc)</b>  |
| <b>Pic</b> |  |                               |  |  |
|            | <b>A-5 (1pc)</b>  | <b>M6x40 Screw (9pcs)</b>  | <b>Washer (17pcs)</b>  | <b>Allen Key (1pc)</b>  |
| <b>Pic</b> |  | <b>M6x35 Screw (8pcs)</b><br> |  |  |

**DO NOT** tighten any screws before assemble completely .

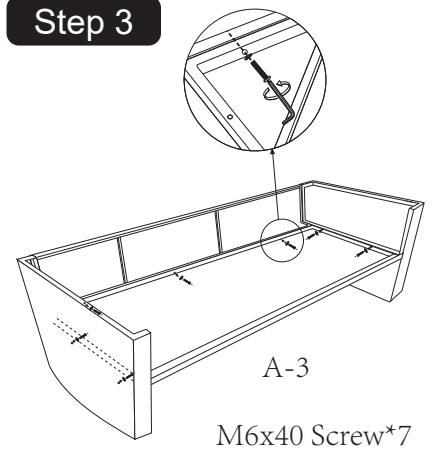
**Step 1**



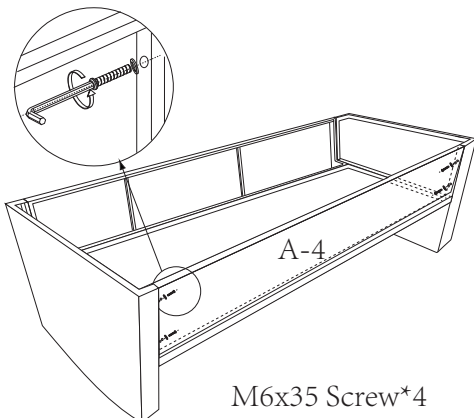
**Step 2**



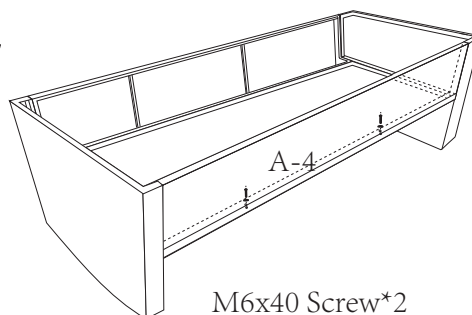
**Step 3**



**Step 4**



**Step 5**

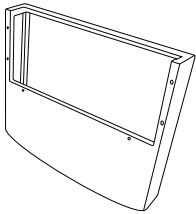
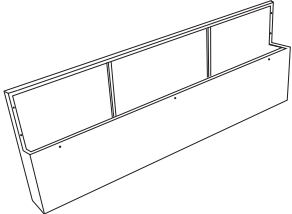
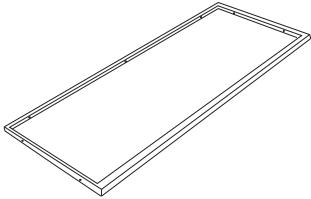
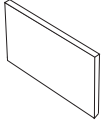
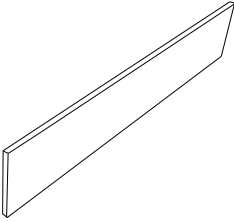





**Step 6**



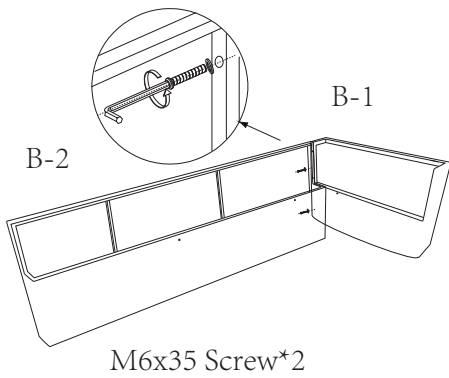
# ASSEMBLY INSTRUCTION

Page 2/5

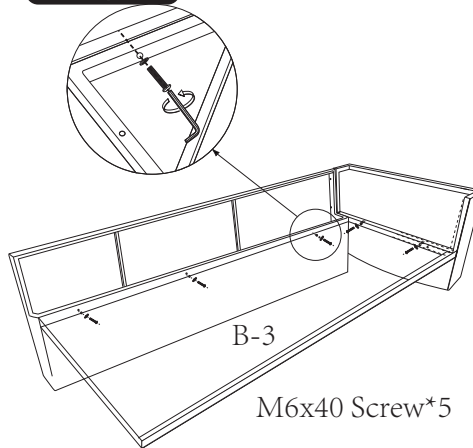
|            |   |   |  |   |
|------------|---|---|--|---|
|            | <b>B-1 (1pc)</b>  | <b>B-2 (1pc)</b>  | <b>B-3 (1pc)</b>   | <b>B-4 (1pc)</b>  |
| <b>Pic</b> |  |  |  |  |
|            | <b>B-5 (1pc)</b>  | <b>Clamp (2pcs)</b>   | <b>Washer (15pcs)</b>  | <b>M6x40 Screw (7pcs)</b>   |
| <b>Pic</b> |  |  |  | <b>M6x35 Screw (8pcs)</b>   |
|            |   |   |  |  |

**DO NOT** tighten any screws before assemble completely .

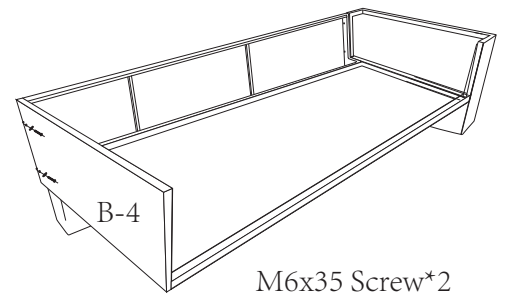
**Step 1**



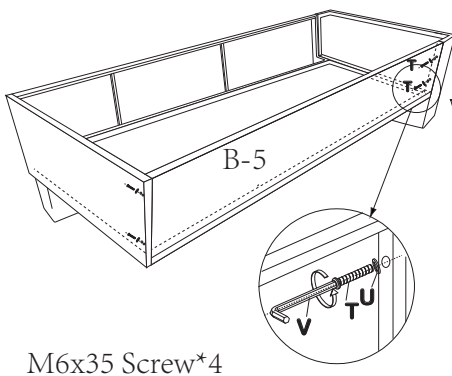
**Step 2**



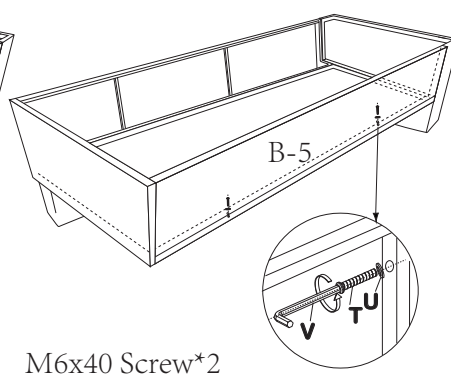
**Step 3**



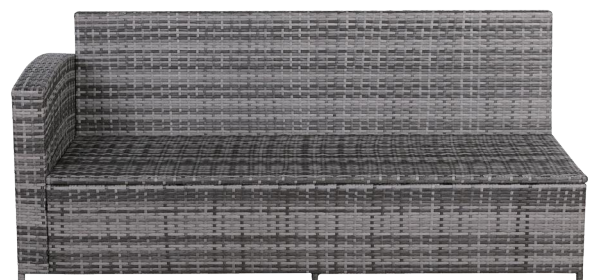
**Step 4**



**Step 5**

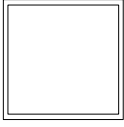
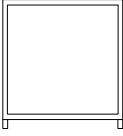
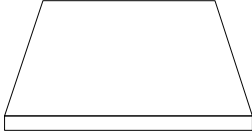




**Step 6**



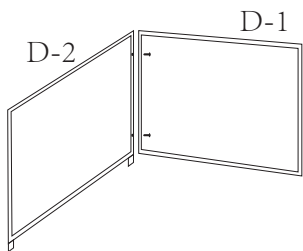
# ASSEMBLY INSTRUCTION

Page 3/5

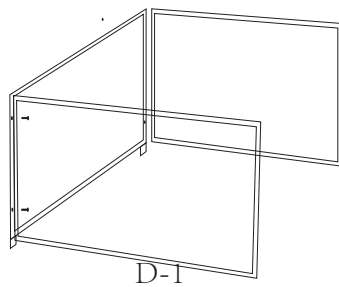
|     | D-1 (6pcs)  | D-2 (6pcs)  | D-3 (3pcs)   | Washer (36pcs)  |
|-----|---|---|--|---|
| Pic |  |  |  |  |
|     | <b>M6x35 Screw (36pcs)</b>  |   |  |   |
| Pic |  |   |  |   |

**DO NOT** tighten any screws before assemble completely .

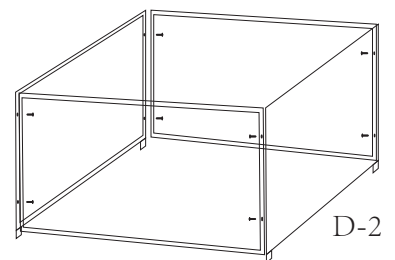
Step 1



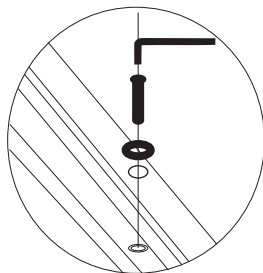
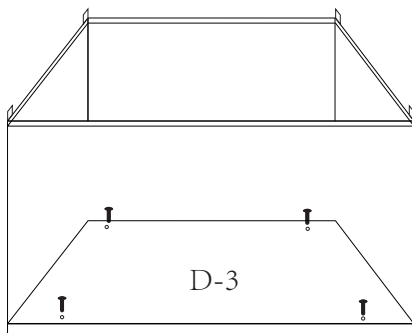
Step 2



Step 3



Step 4



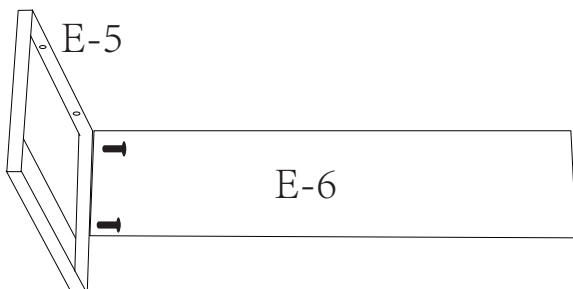
# ASSEMBLY INSTRUCTION

Page 4/5

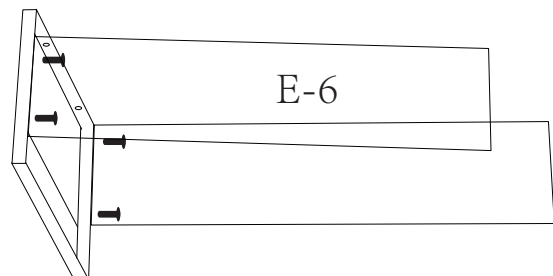
|     | E-1 (1pc)           | E-2 (2pcs) | E-3 (1pc)      | E-4 (1pc)       |
|-----|---------------------|------------|----------------|-----------------|
| Pic |                     |            |                |                 |
|     | E-5 (2pcs)          | E-6 (2pcs) | Washer (20pcs) | Allen Key (1pc) |
| Pic |                     |            |                |                 |
|     | M6x35 Screw (20pcs) |            |                |                 |
| Pic |                     |            |                |                 |

**DO NOT** tighten any screws before assemble completely .

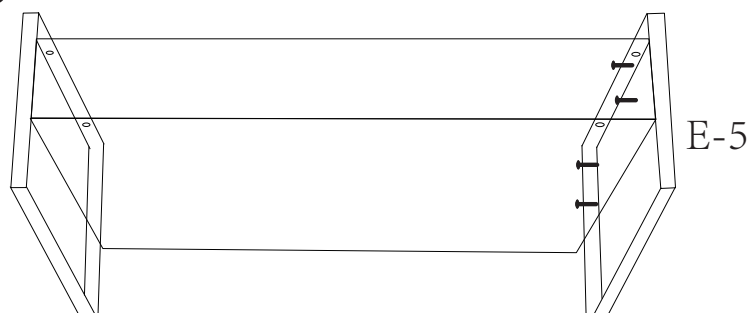
Step 1



Step 2



Step 2

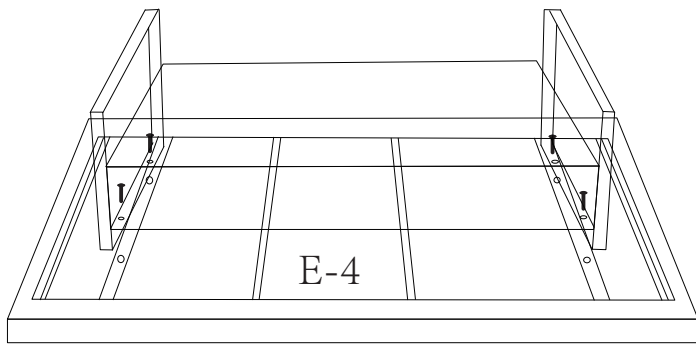


# ASSEMBLY INSTRUCTION

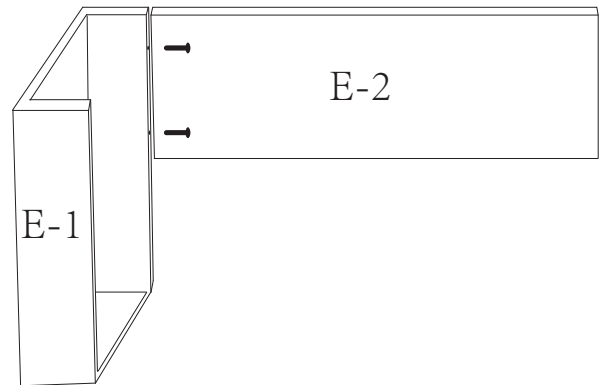
Page 5/5

**DO NOT** tighten any screws before assemble completely .

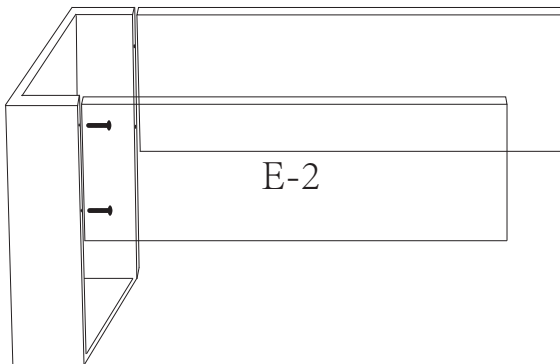
Step 4



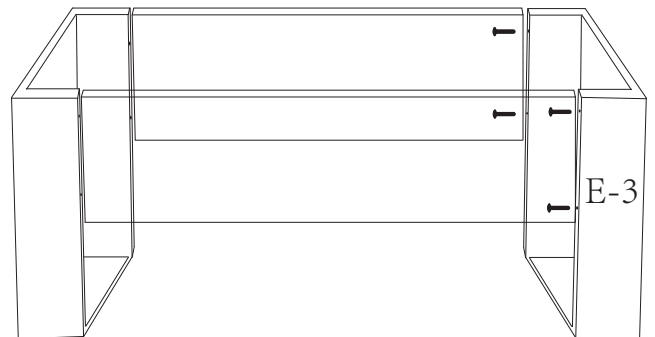
Step 5



Step 6



Step 7



Step 8

