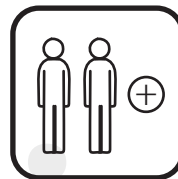


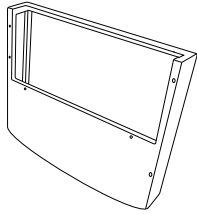
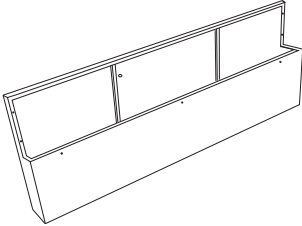
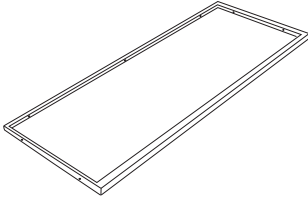
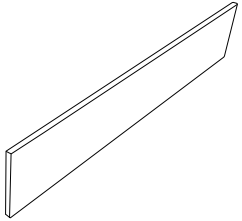
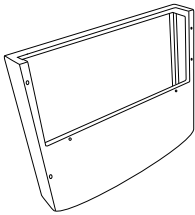



# KG02

## Installation instructions



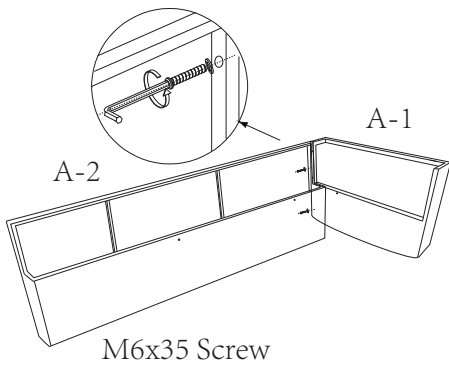
# ASSEMBLY INSTRUCTION

Page 1/4

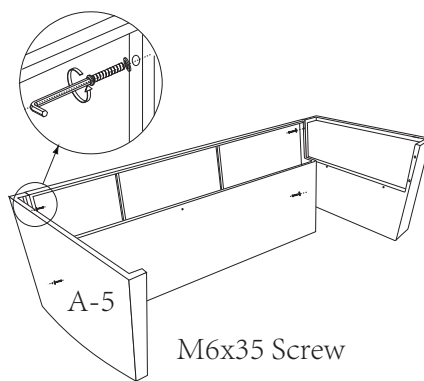
	<b>A-1 (3pc)</b>	<b>A-2 (1pc)</b>	<b>A-3 (1pc)</b>	<b>A-4 (1pc)</b>
<b>Pic</b>				
	<b>A-5 (3pc)</b>	<b>Washer (17pcs)</b>	<b>Allen Key (1pc)</b>	<b>M6x40 Screw (9pcs)</b>
<b>Pic</b>				
				<b>M6x35 Screw (8pcs)</b>

**DO NOT** tighten any screws before assemble completely .

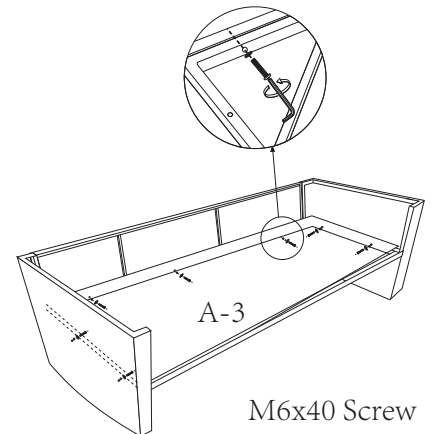
**Step 1**



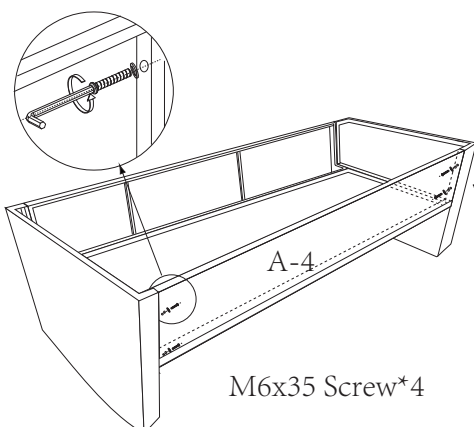
**Step 2**



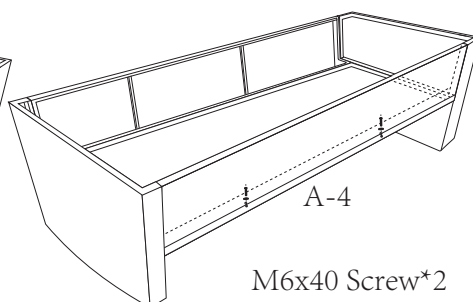
**Step 3**



**Step 4**



**Step 5**

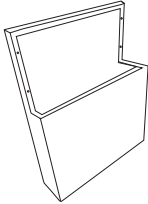
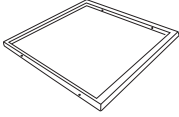
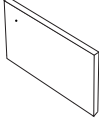




**Step 6**



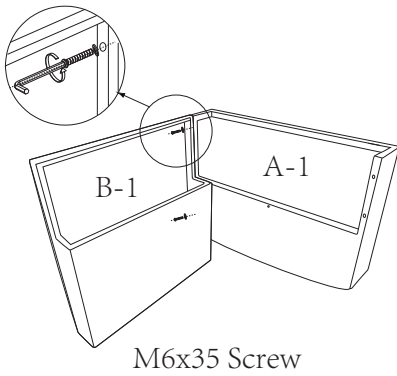
# ASSEMBLY INSTRUCTION

Page 2/4

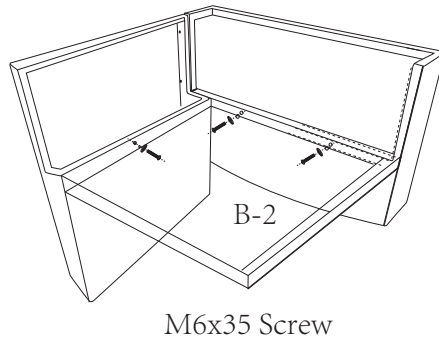
	B-1 (2pc)	B-2 (2pc)	B-3 (2pc)	
Pic				
	M6x35 Screw(28pcs)	Washer (28pcs)		
Pic				

**DO NOT** tighten any screws before assemble completely .

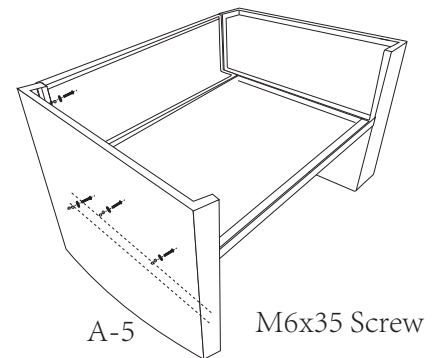
Step 1



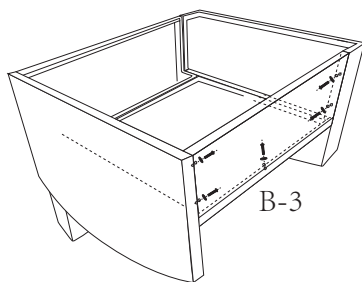
Step 2



Step 3



Step 4

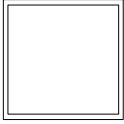
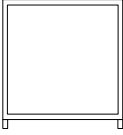





Step 5



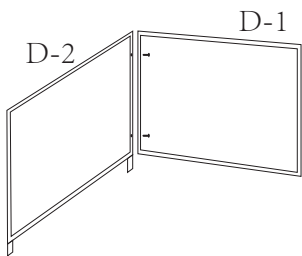
# ASSEMBLY INSTRUCTION

Page 3/4

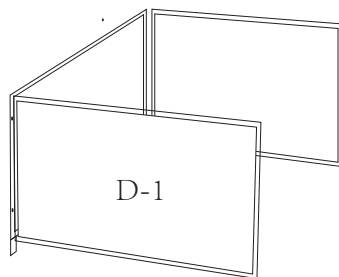
	D-1 (4pc)	D-2 (4pc)	D-3 (2pc)	Washer (24pcs)
Pic				
	<b>M6x35 Screw (24pcs)</b>			
Pic				

**DO NOT** tighten any screws before assemble completely .

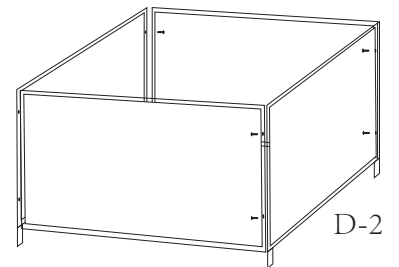
Step 1



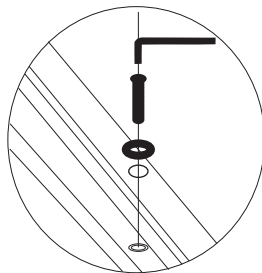
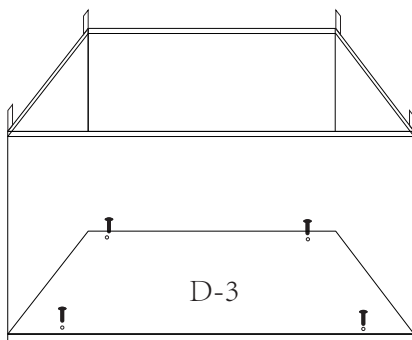
Step 2



Step 3



Step 4



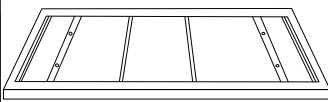




Step 5



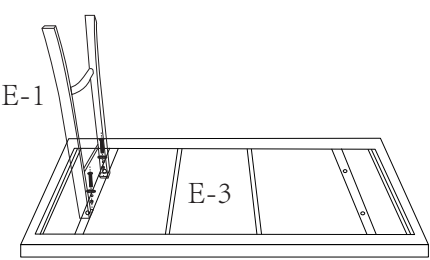
# ASSEMBLY INSTRUCTION

Page 4/4

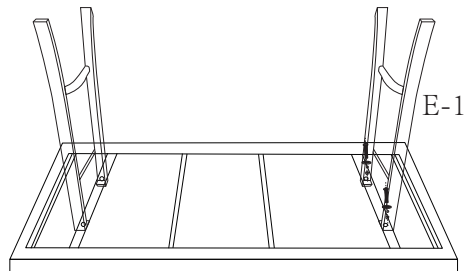
	E-1 (2pc)	E-2 (2pc)	E-3 (1pc)	M6x35 Screw (12pcs)
Pic				
	Washer (12pcs)			
Pic				

**DO NOT** tighten any screws before assemble completely .

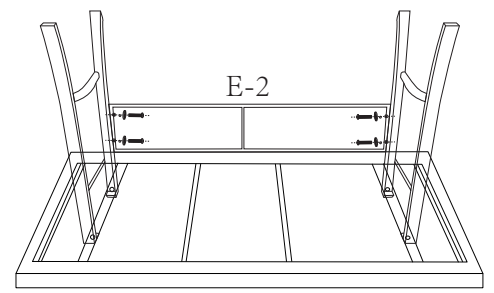
Step 1



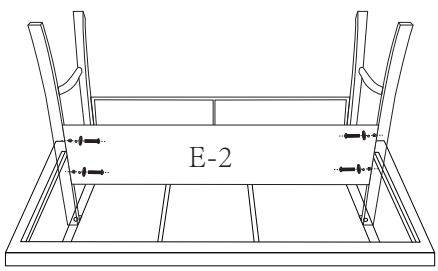
Step 2



Step 3



Step 4



Step 5

