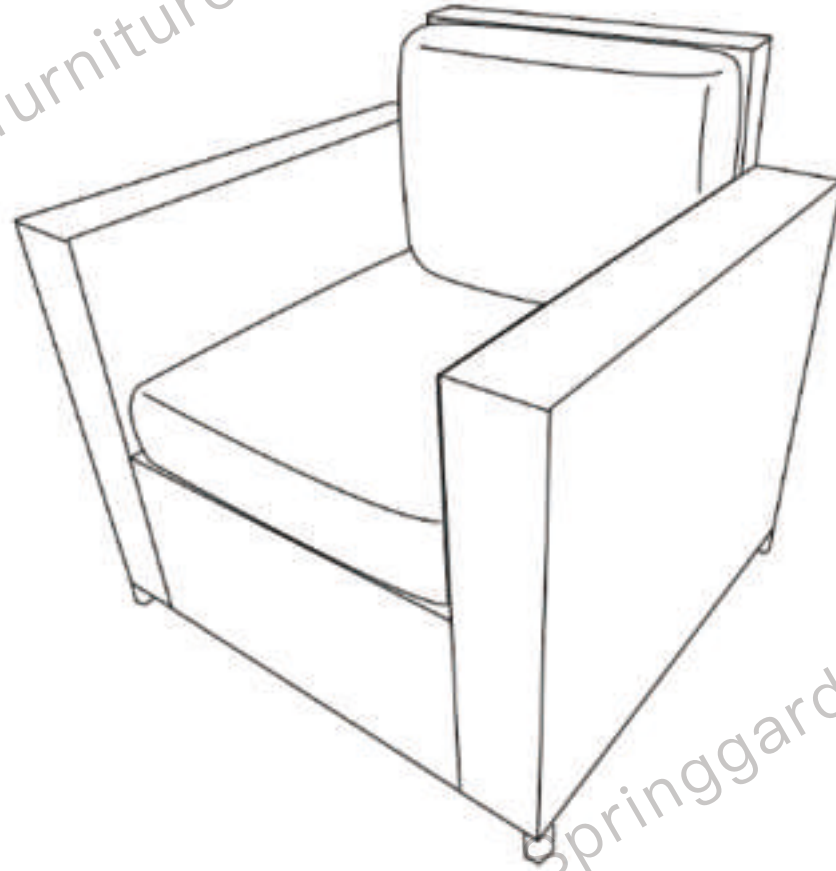




SPRING GARDEN FURNITURE

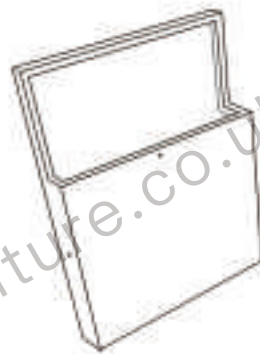
ASSEMBLY INSTRUCTION



▶ A



PARTS



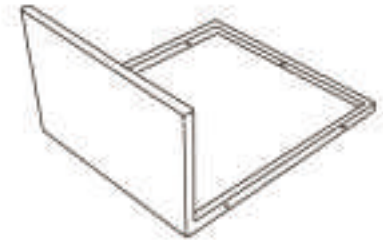
A-1 x1



A-2 x1

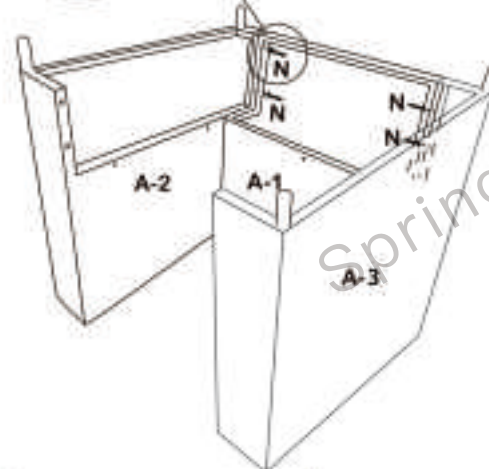
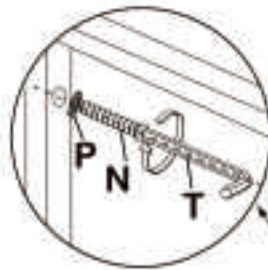


A-3 x1

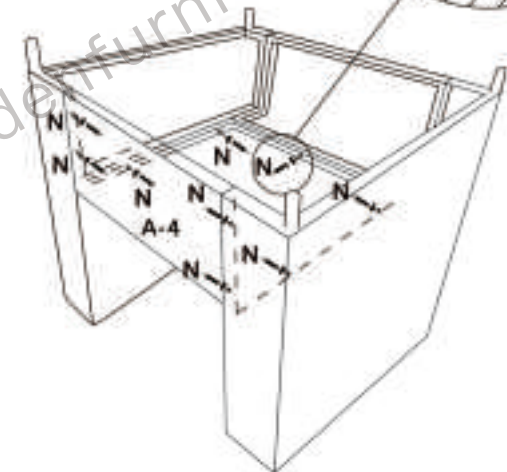
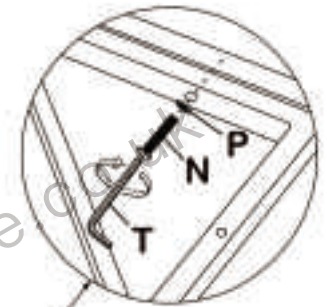


A-4 x1




1



2



PARTS LIST (Accessories)

| Part | Picture | Qty |
|------|---|-----|
| N |  | 13 |
| P |  | 13 |
| T |  | 1 |

Do Not tighten any screws before assemble completely