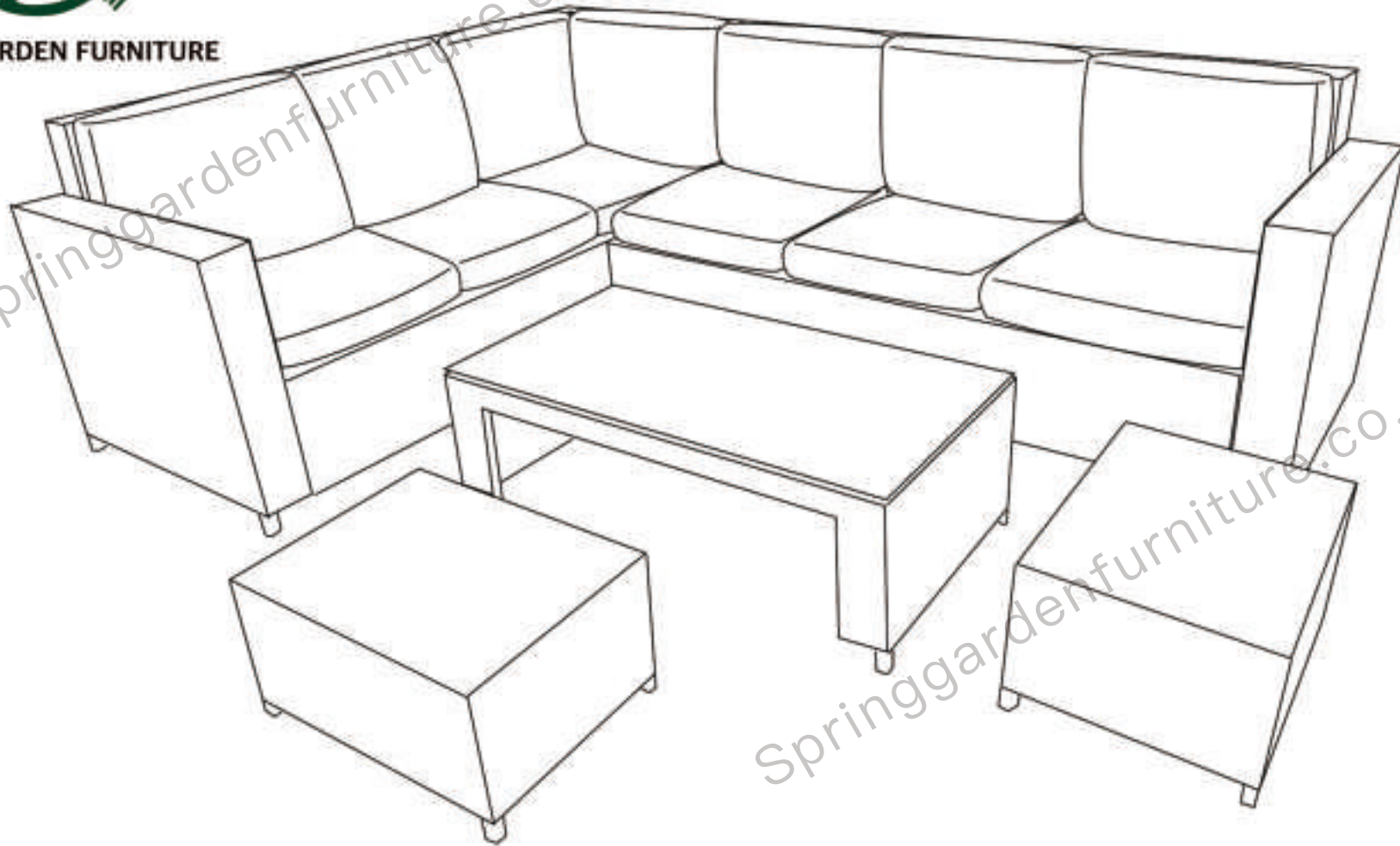




ASSEMBLY INSTRUCTION

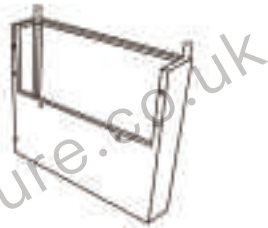
SPRING GARDEN FURNITURE



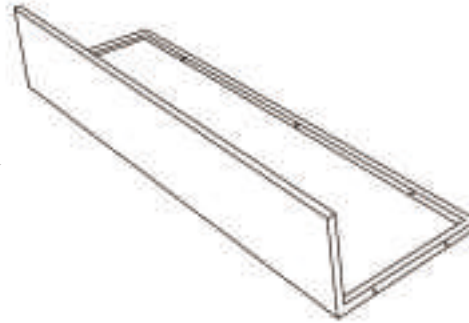
Springgardenfurniture.co.uk



A-1 x1



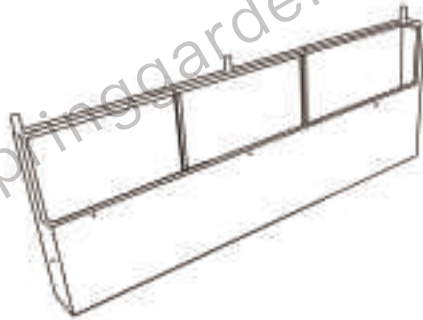
A-2 x1



A-3 x1



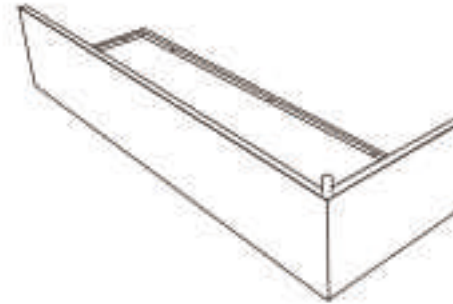
A-4 x1







B-1 x1

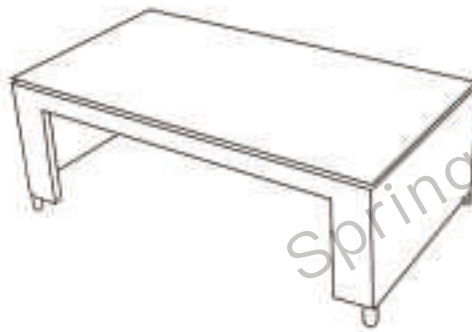


B-2 x1



B-3 x1

PARTS LIST (Accessories)		
Part	Picture	Qty
N		22
P		22
T		1
U		2

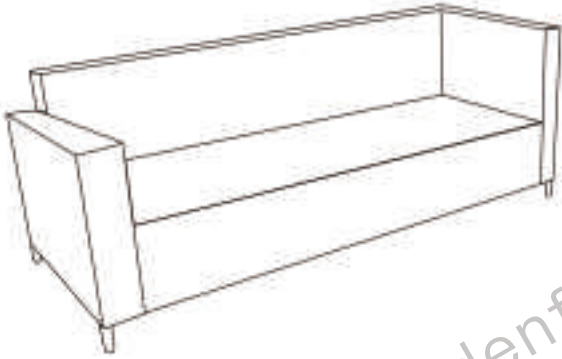


C-1 x1



D-1 x2

▶ A



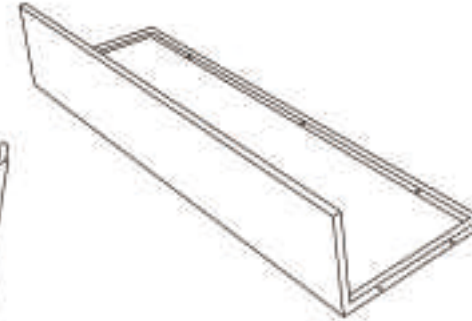
PARTS



A-1 x1



A-2 x1

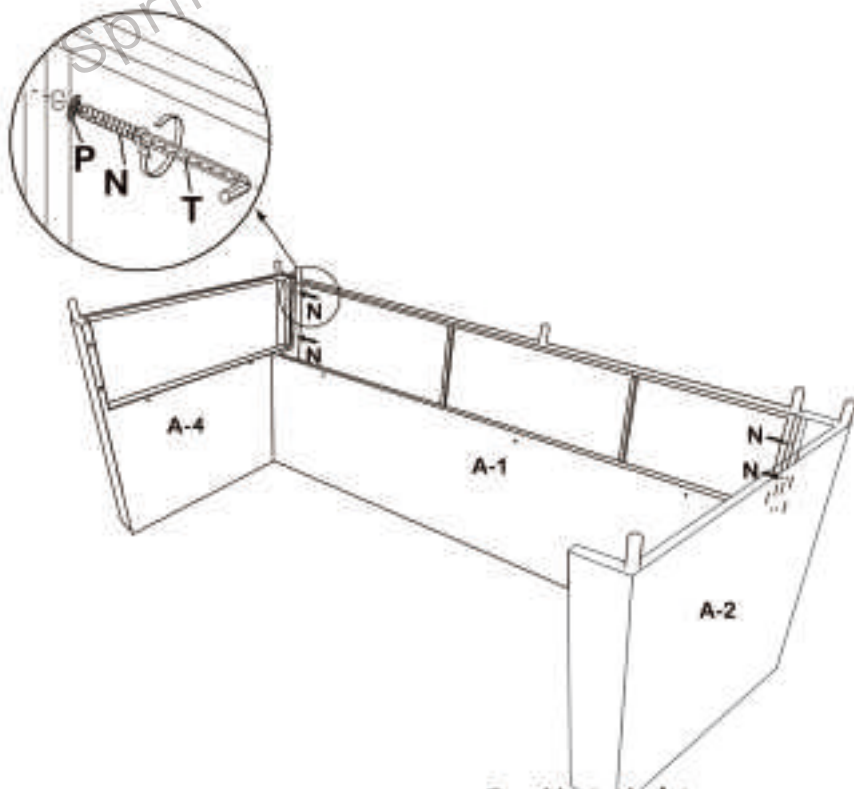


A-3 x1

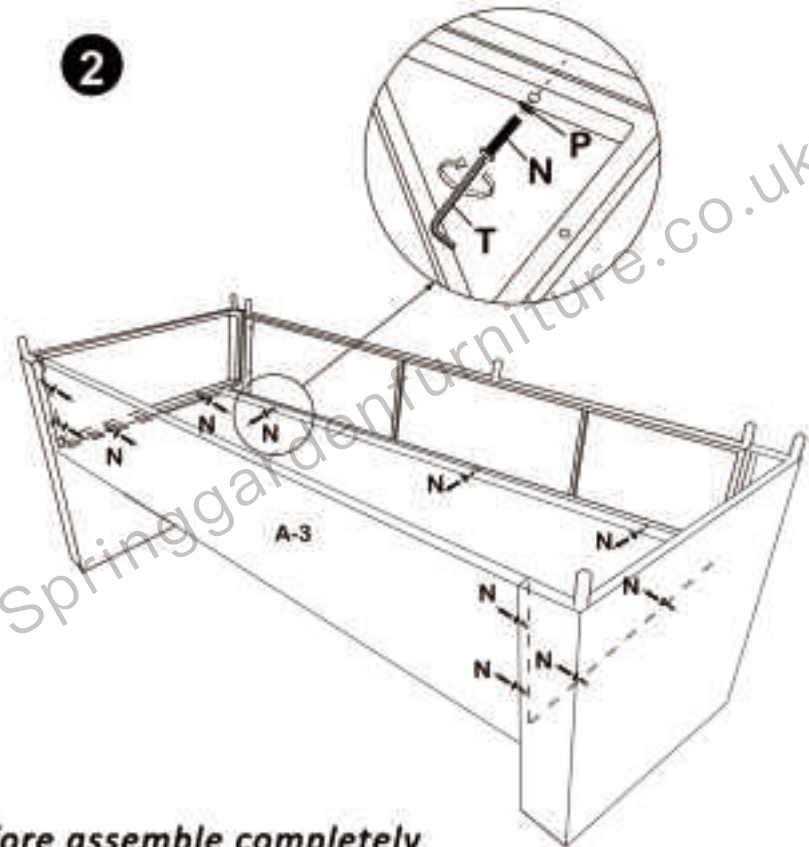


A-4 x1

1



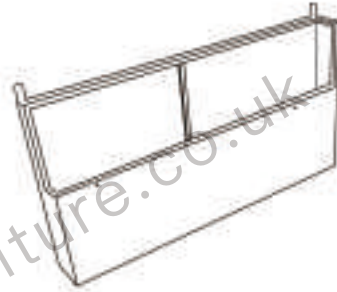
2



Do Not tighten any screws before assemble completely

▶ B

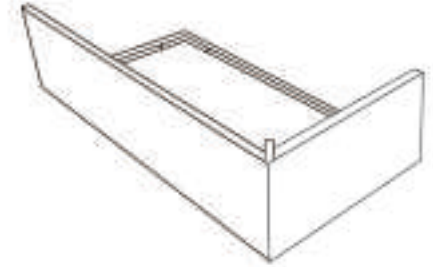
PARTS



B-1 x1

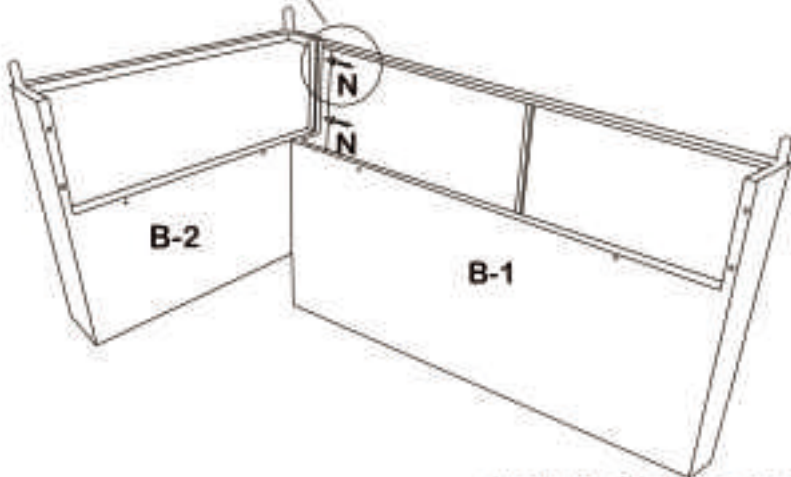


B-2 x1

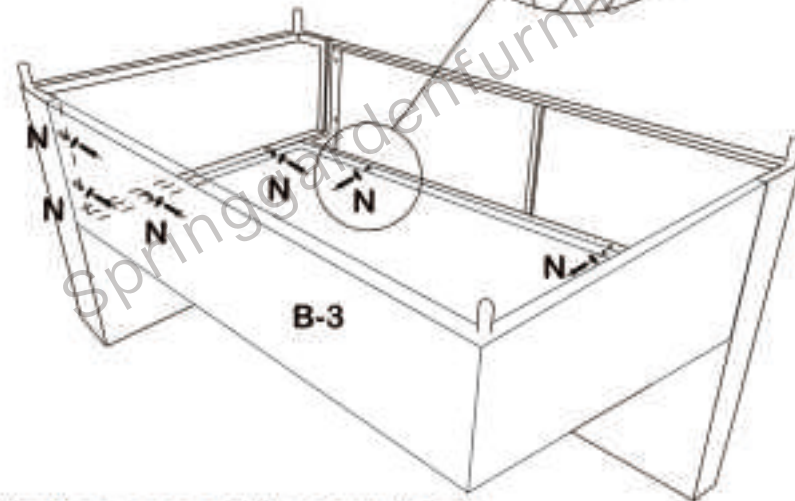
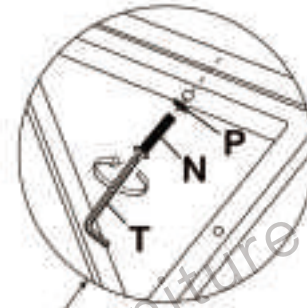


B-3 x1

1

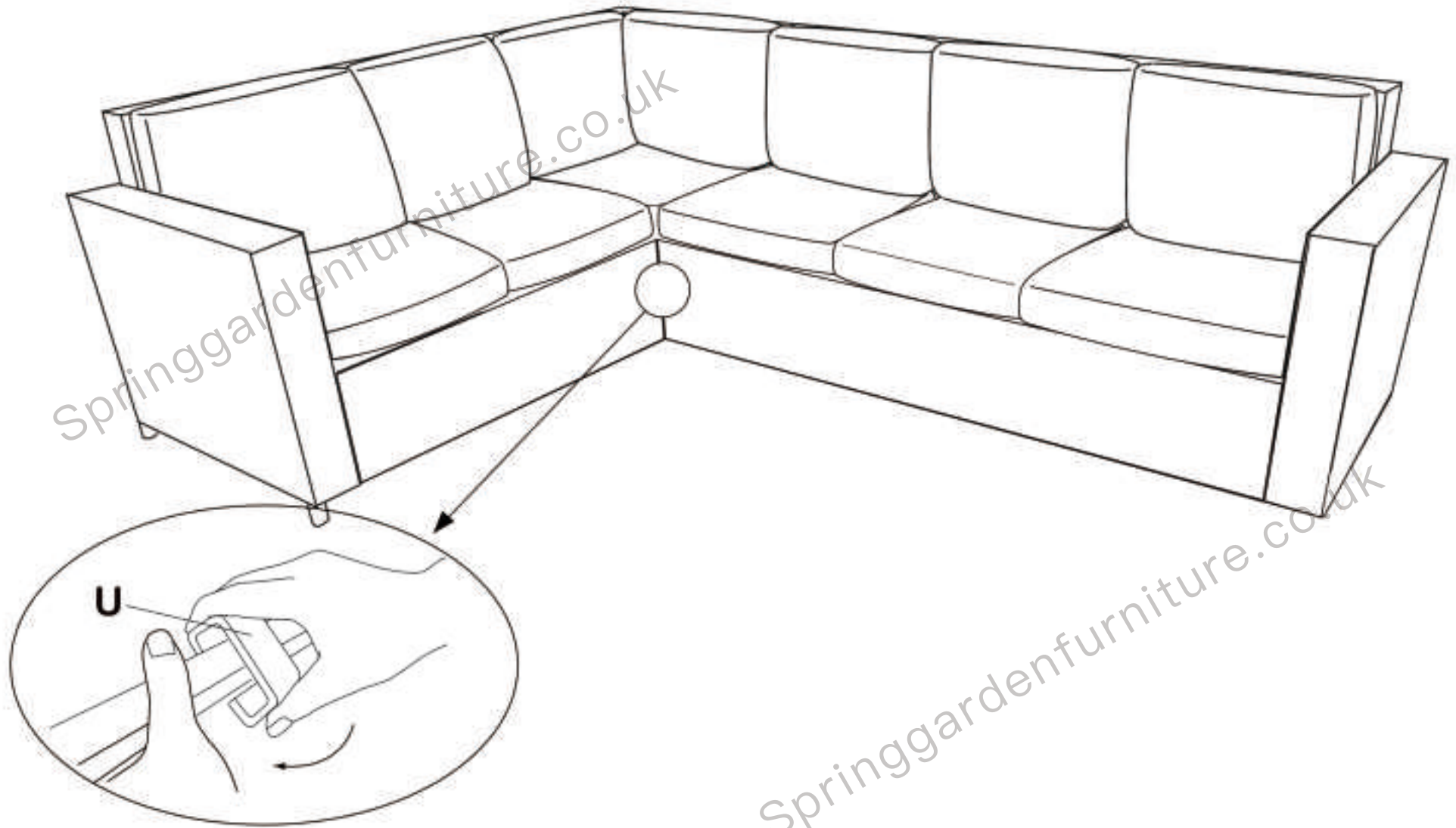


2



Do Not tighten any screws before assemble completely

► P.S.



Furniture Fastener / Connector

Recommend 2 fasteners per two adjoining module.

Prevent modular or sectional wicker furniture from moving.