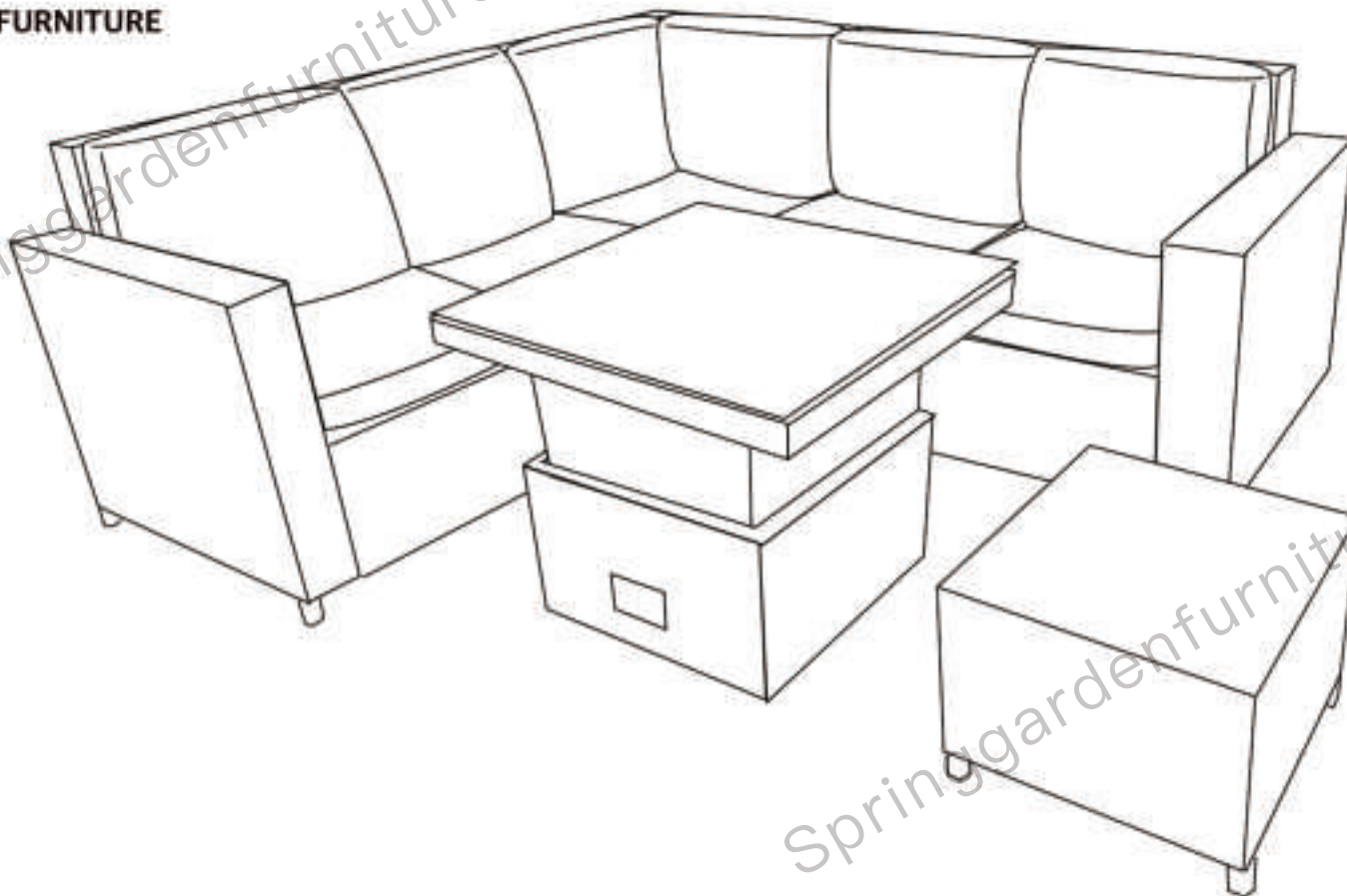
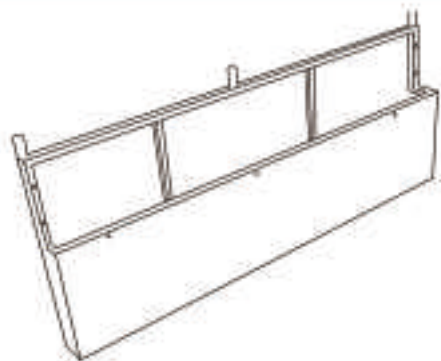




SPRING GARDEN FURNITURE

ASSEMBLY INSTRUCTION

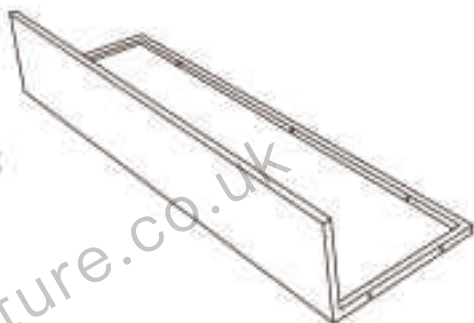




A-1 x1



A-2 x1



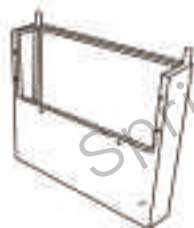
A-3 x1



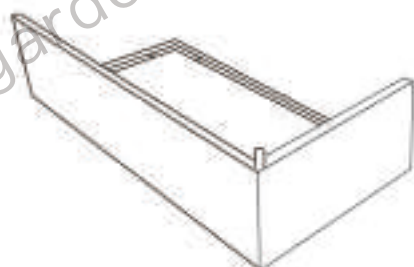
A-4 x1



B-1 x1



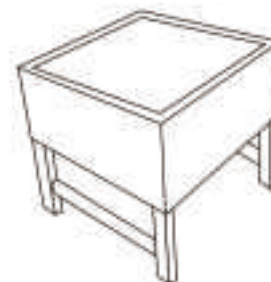
B-2 x1



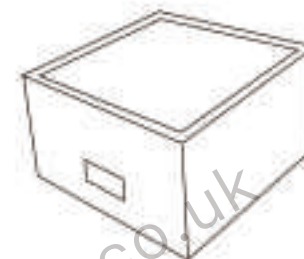
B-3 x1



C-1 x1



C-2 x1

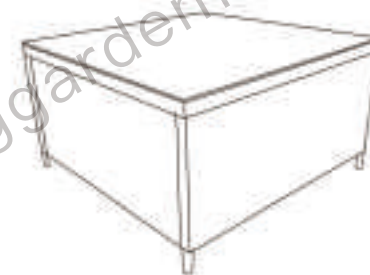


C-3 x1

PARTS LIST (Accessories)		
Part	Picture	Qty
N		41
P		41
T		1
U		2



C-4 x1

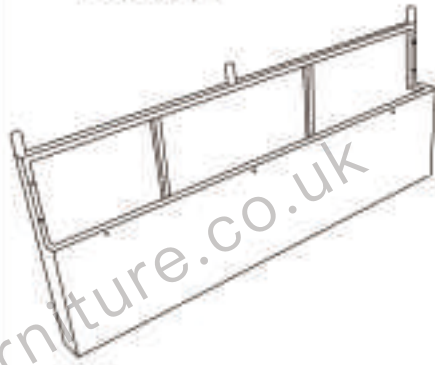


D-1 x1

▶ A



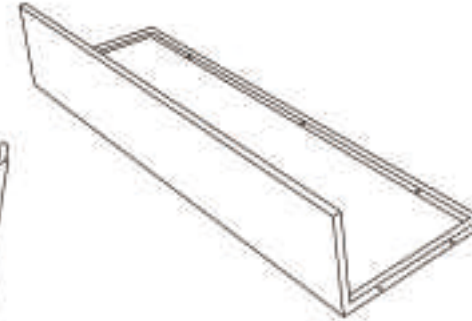
PARTS



A-1 x1



A-2 x1

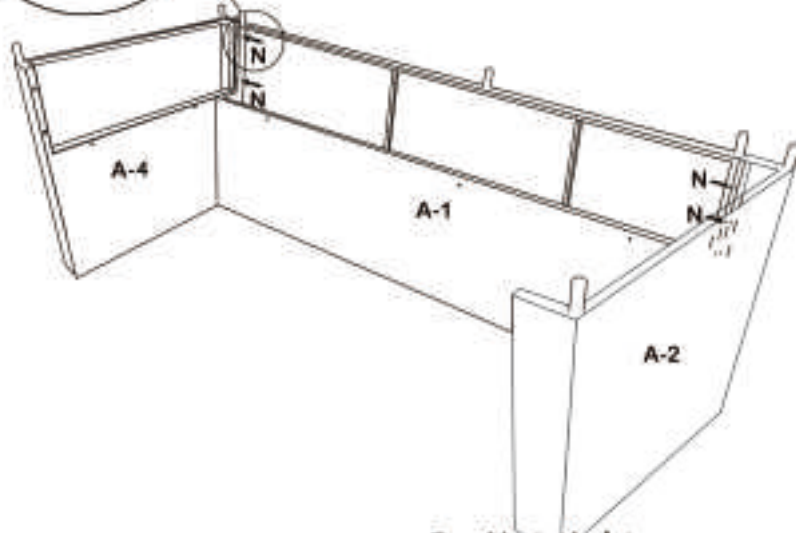
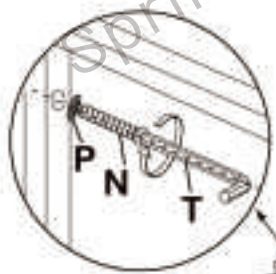


A-3 x1

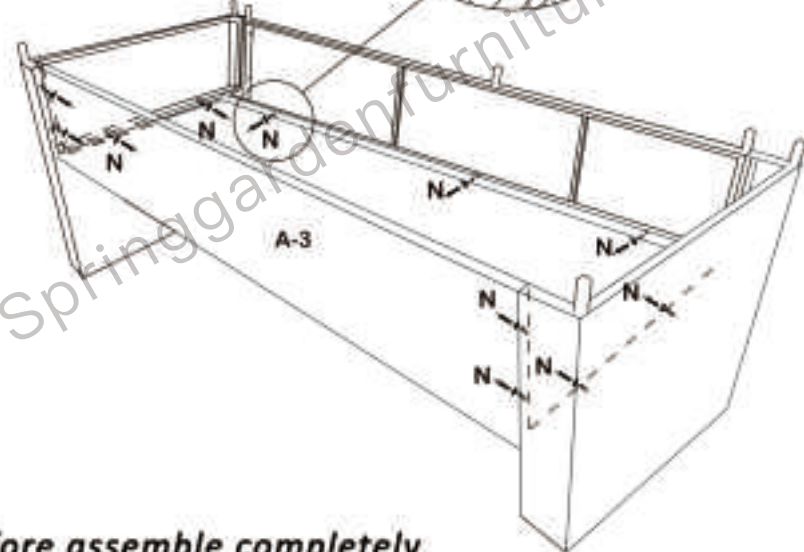
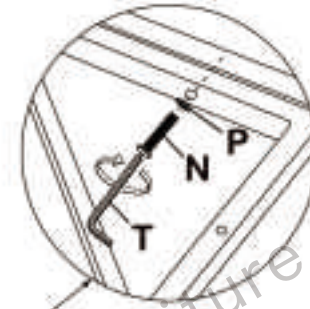


A-4 x1

1



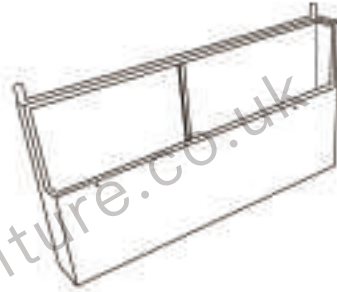
2



Do Not tighten any screws before assemble completely

▶ B

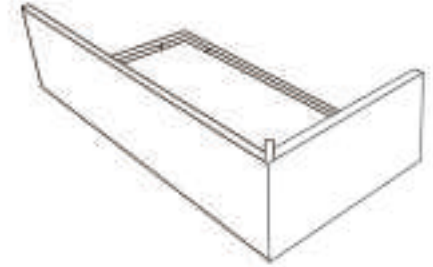
PARTS



B-1 x1

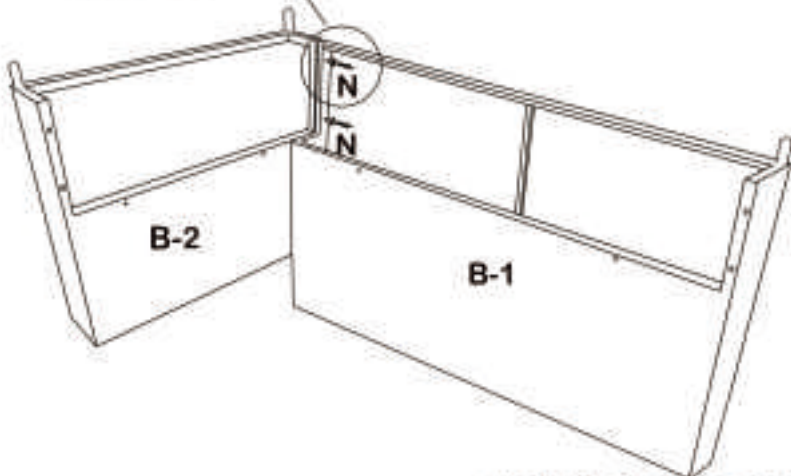
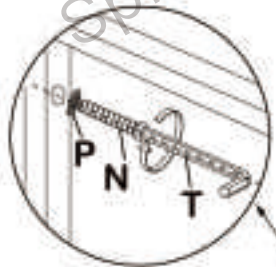


B-2 x1

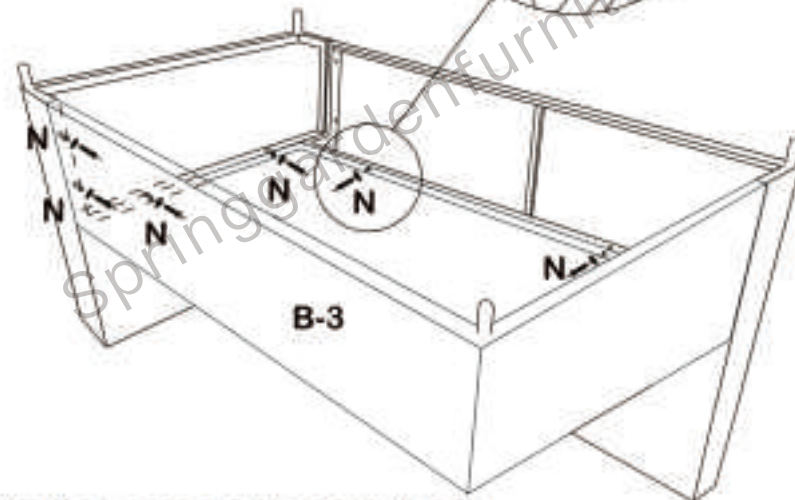
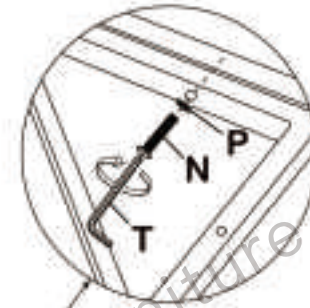


B-3 x1

1

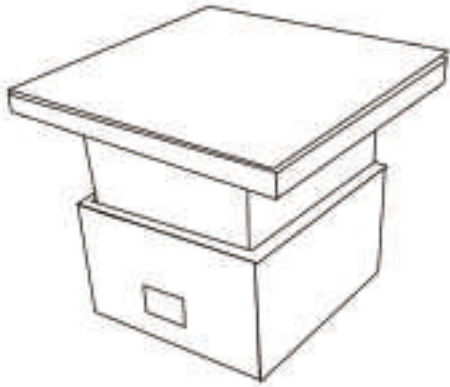


2



Do Not tighten any screws before assemble completely

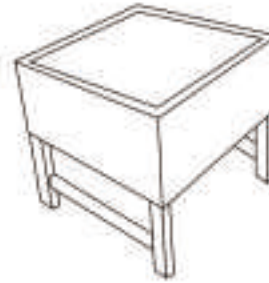
▶ C



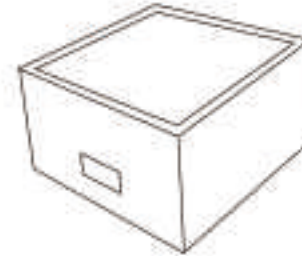
PARTS



C-1 x1



C-2 x1

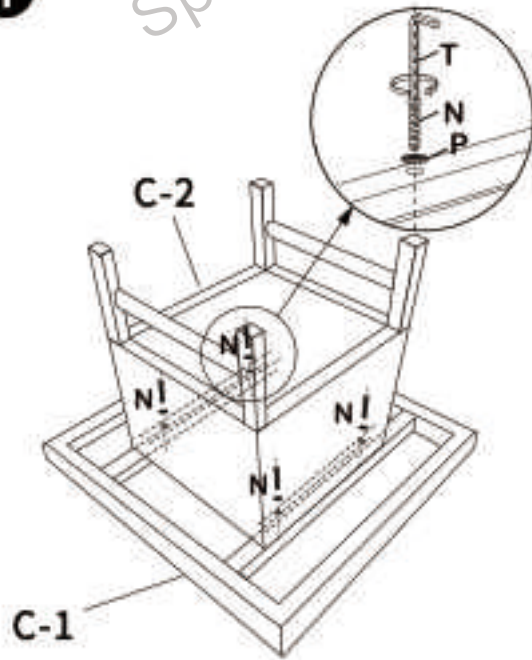


C-3 x1

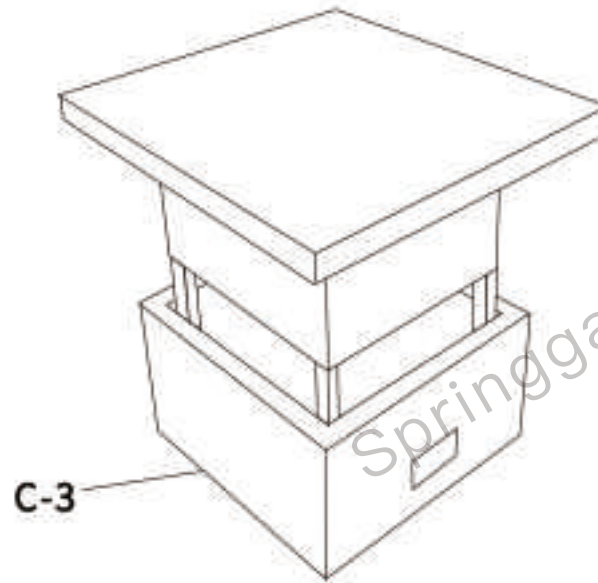


C-4 x1

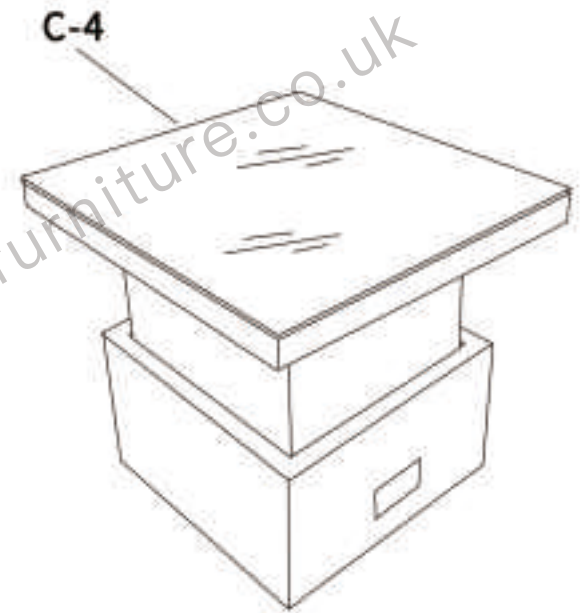
1



2

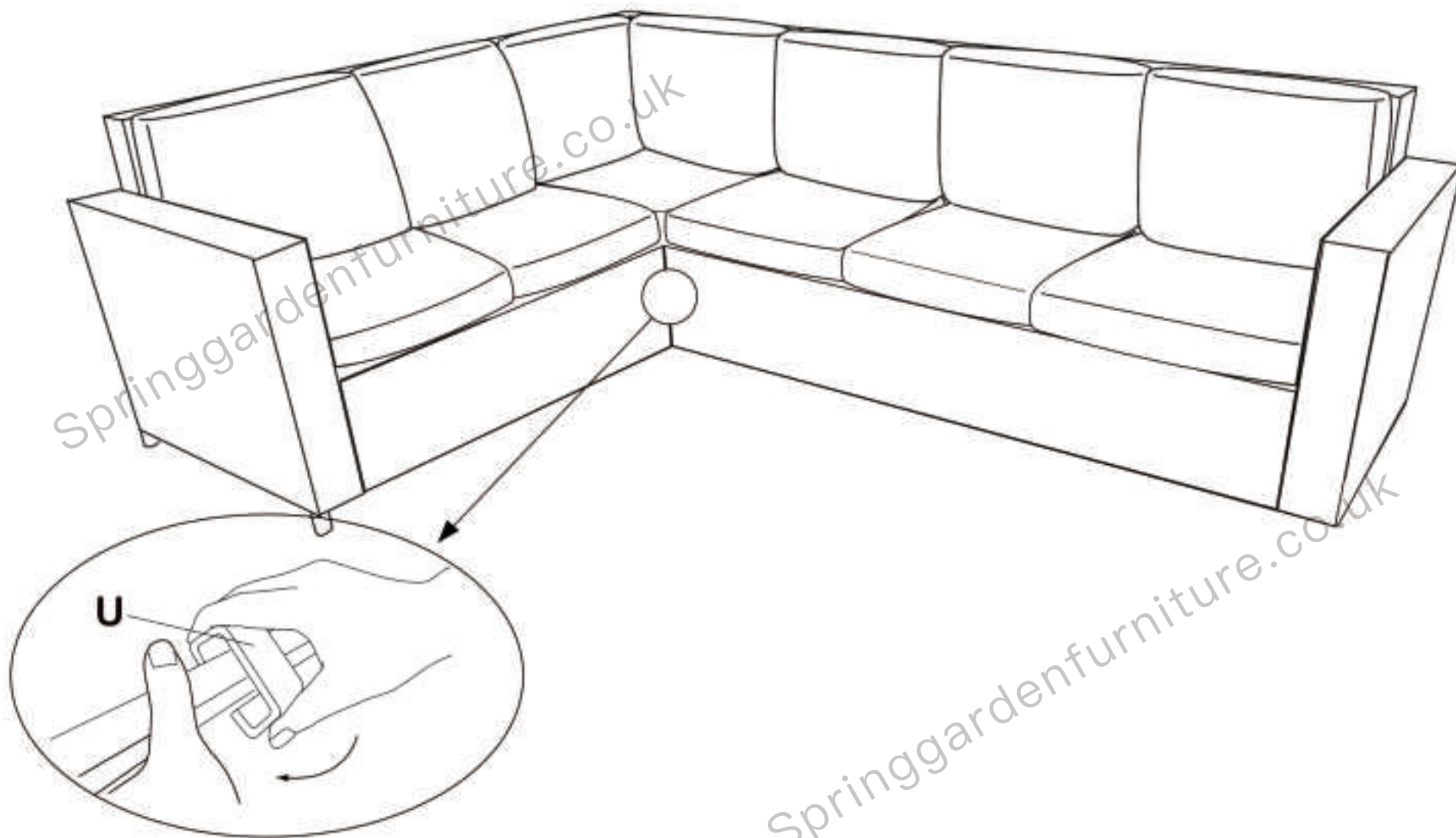


3



Do Not tighten any screws before assemble completely

► P.S.



Furniture Fastener / Connector

Recommend 2 fasteners per two adjoining module.

Prevent modular or sectional wicker furniture from moving.