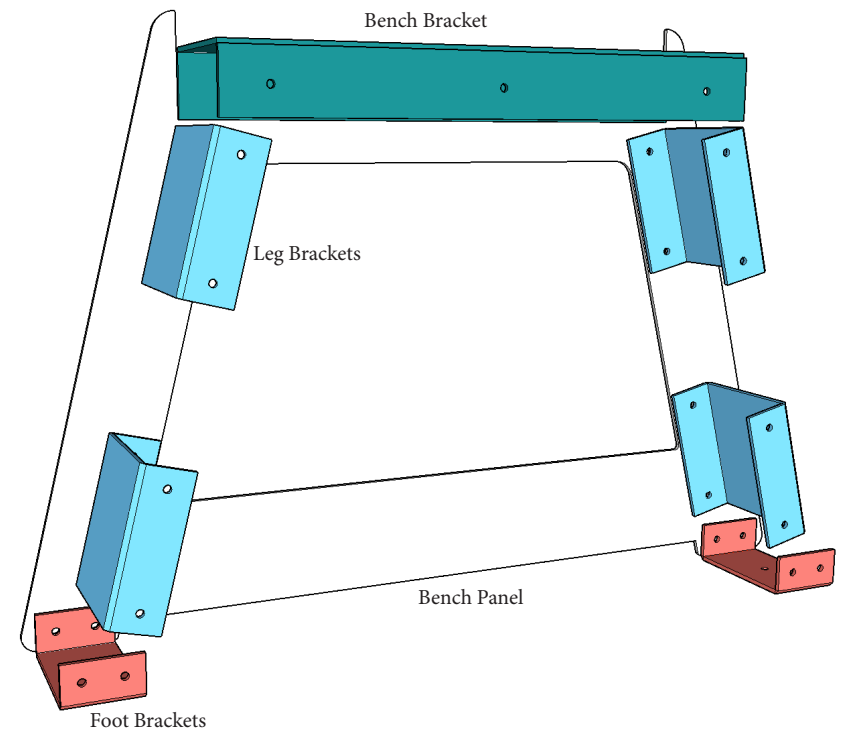
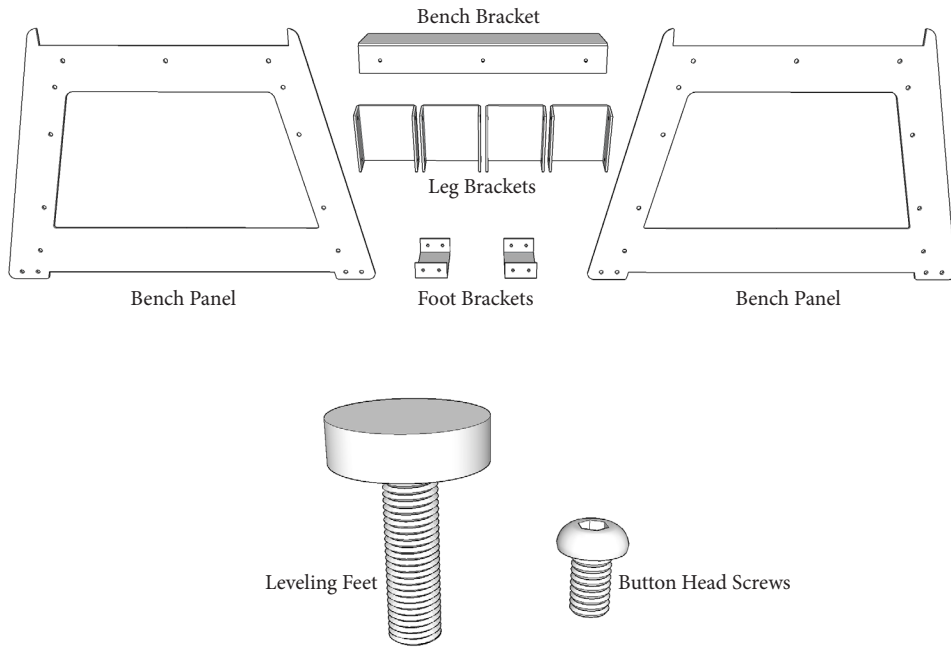


# STEELMADE FURNITURE DIY Bench Kit

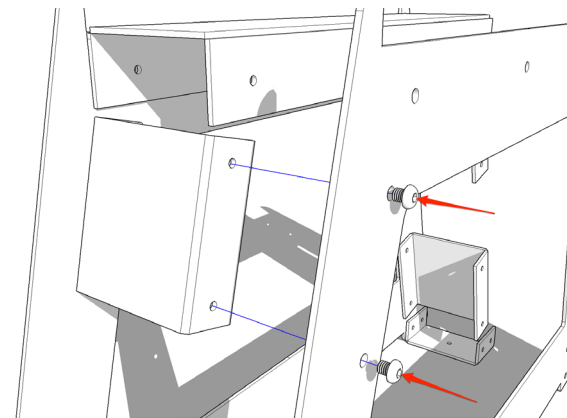
## Parts List

Each Bench Kit ships with parts for a left and right end piece. The illustration below shows the parts required to assemble one side only

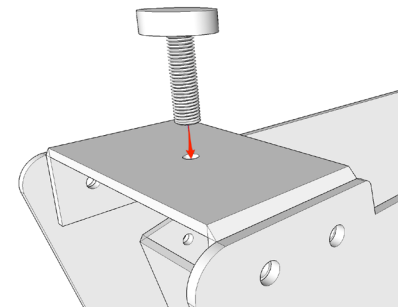


Each Bench Kit requires the following parts for assembling one finished bench:

- Qty. 4 Bench Panel
- Qty. 2 Bench Bracket
- Qty. 8 Leg Bracket
- Qty. 4 Foot Bracket
- Qty. 4 Leveling Foot
- Qty. 60 Button Head Screw



Attach the brackets to the bench frame using the supplied screws. The brackets are threaded so no additional hardware is required.



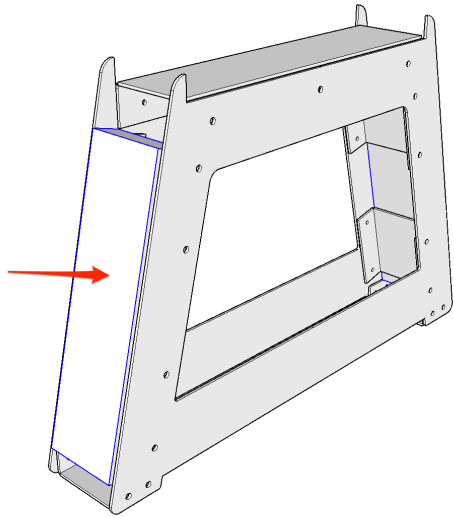
Install the Leveling Feet by threading them into the bottom Foot Brackets.

## Wood Assembly

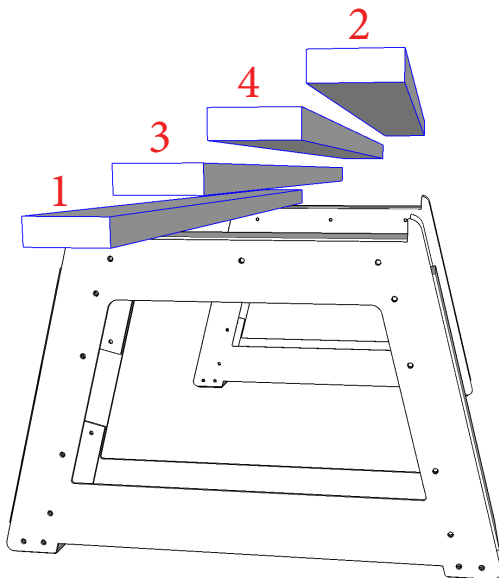
The Bench Kit is designed to be assembled using common 2x4 lumber available at any hardware store. Below you will find a cut list to assemble a single 6' bench. The length of the bench may be customized by cutting the bench boards to your desired length.

Qty. 4	Bench Set Boards	72" Long
Qty. 4	Bench Leg Boards	11-5/8" Long

Attach the Leg Boards to the Leg Brackets using 3/4" wood screws as shown below:



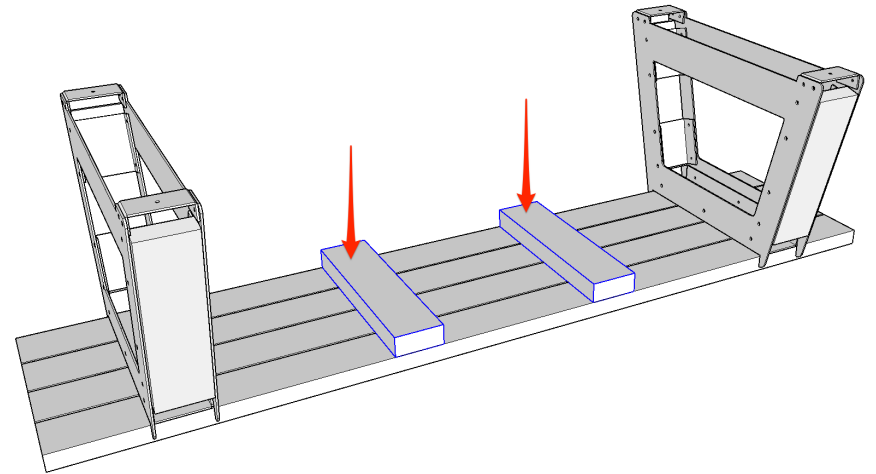
Attach the Bench Boards to the Bench Brackets using 3/4" wood screws in the order shown below. Flush Board 1 and Board 2 up against the metal sides of the Bench Panel and evenly space Board 3 and Board 4 to leave around 3/16" gap between the boards.



## Support Boards

Bench Kits that exceed 3' in length can benefit greatly by adding perpendicular support boards to the underside. This will stiffen the top and help to make all of the boards flat and level. Use 2-1/2" wood screws on the underside to hide the installation.

Depending on the length of your bench it may be necessary to add additional support boards evenly spaced across the bottom of your bench.



## Maintenance - Carbon Steel Kits

Every part of your Furniture Kit was hand-rubbed with linseed oil to provide a safe and natural finish to protect the steel from moisture designed to delay the natural rusting process.

If you wish to preserve the look of your product's original appearance then it will be necessary to periodically inspect and reapply the oil as it will degrade over time due to UV exposure from the sun. Simply clean your product with a dry cloth or warm water if necessary. Allow to dry completely. Use a staining pad or cloth rag to apply a very thin layer of linseed oil to all surfaces. Thoroughly buff when done to remove excess oil to prevent a gummy finish.

You may also choose to allow the metal to age beautifully through the natural Patina process. Patina is a weathering process which occurs when metal is exposed to oxygen and moisture that will gradually change bare steel from a bluish gray color to a dark reddish brown. This natural process varies the appearance of each piece making every piece unique. We recommend covering your furniture when not in use using one of our optional Furniture Covers or storing indoors during long periods of non-use.

## Maintenance - Stainless Steel Kits

Stainless steel is relatively easy to maintain. We recommend hand washing the steel panels with a mixture of water and regular dish soap 1-2 times per year. Thoroughly rinse and allow the panels to dry completely. Apply a thin layer of mineral or olive oil to the surface and buff. This will provide a layer of protection to the steel while restoring its original luster and preventing fingerprints. We recommend covering your furniture when not in use using one of our optional Furniture Covers or storing indoors during long periods of non-use.

## Maintenance - Wood

Each species of wood has different requirements and considerations for maximum performance and lifespan. If you have specific questions about the type of wood you are using for your builds please contact our customer service team for more information. Sun and moisture are the biggest factors to consider when caring for your furniture. We recommend covering your furniture when not in use using one of our optional Furniture Covers or storing indoors during long periods of non-use.