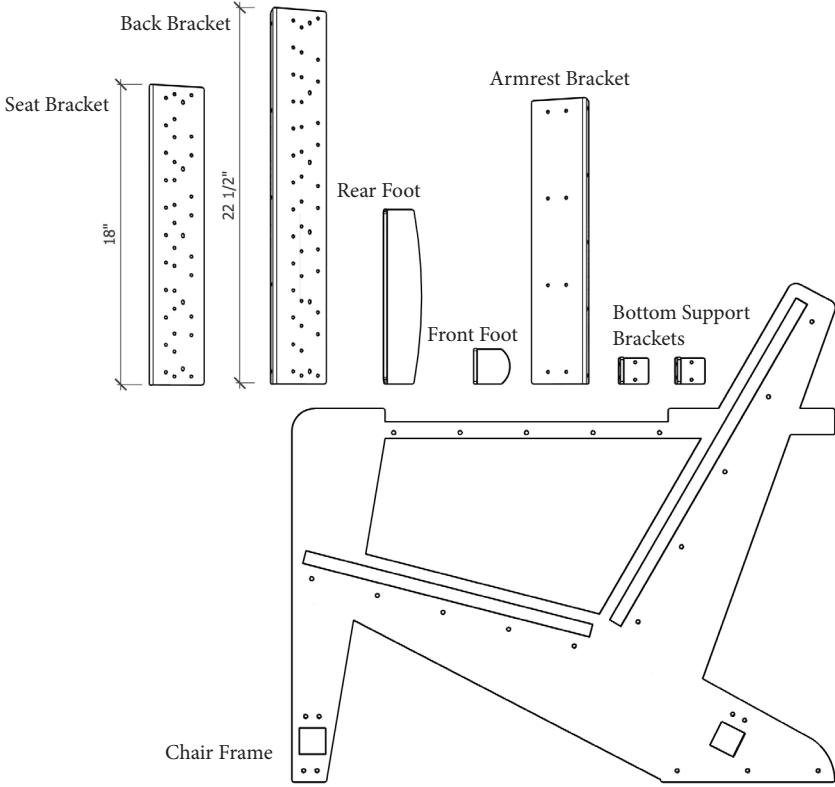


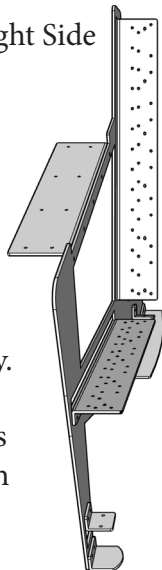
# STEELMADE FURNITURE

## Adirondack Chair Kit

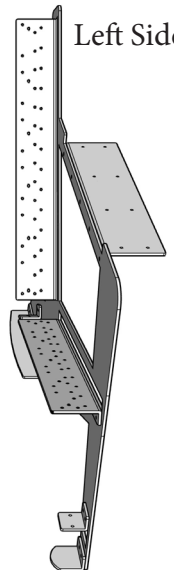
# Parts List



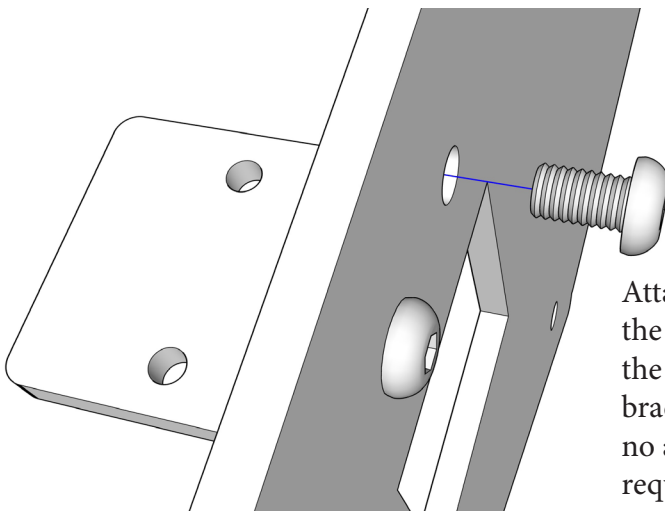
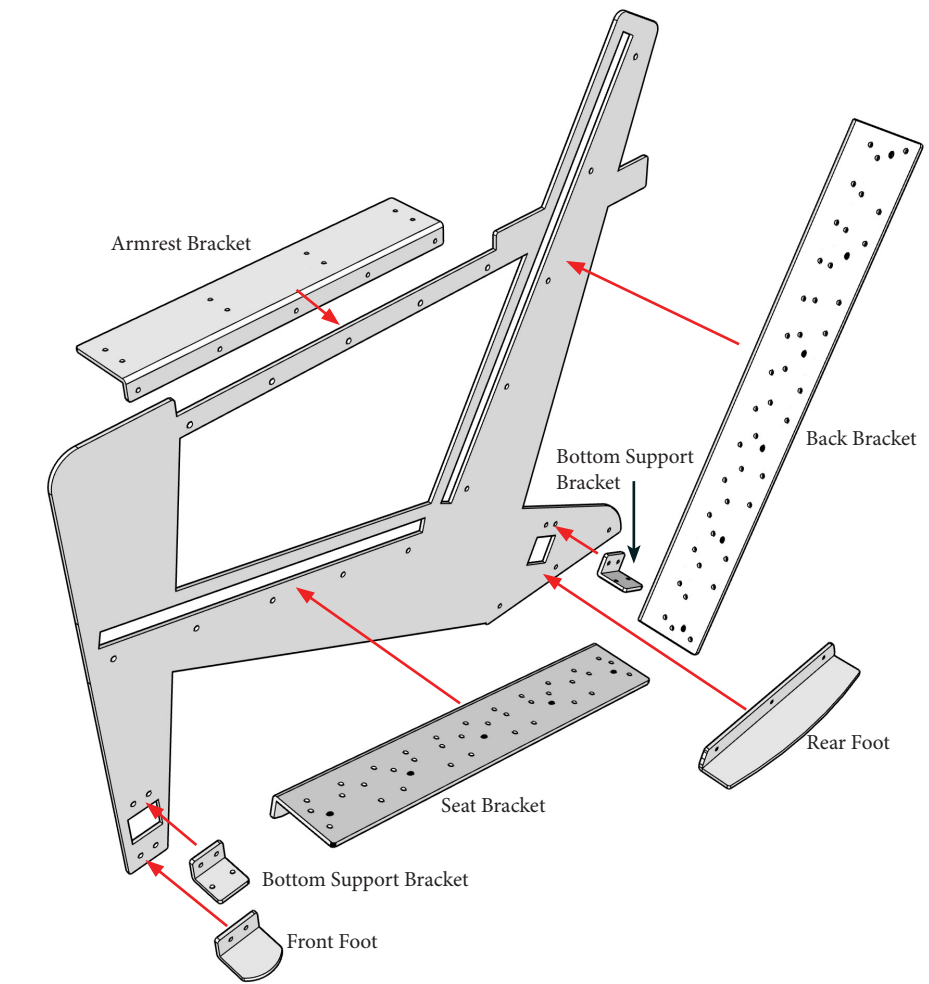
Right Side



Left Side



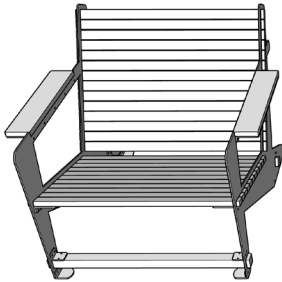
The chair consists of a left- and right-hand side assembly. The brackets and panels are the same for both assemblies - the only difference is which side of the chair frame they are attached.



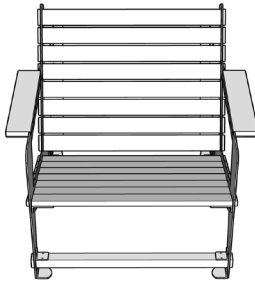
Attach the brackets to the chair frame using the supplied screws. The brackets are threaded so no additional hardware is required.

The Adirondack Chair Kit is a flexible design that can be assembled using many different sizes and type of lumber. The brackets have screw hole patterns to match common board sizes available at most hardware stores to create a different appearance depending on your preferences. The renderings below show how the chairs would look in these different configurations and outline the number of boards required for each. You can vary the width of the chair to the dimension of your choice with 28" being a common size.

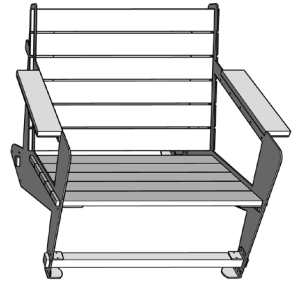
Please note that the boards for the armrests are a fixed 17" length using common 1x4 lumber. The bottom support boards are also sized specifically for 2x2 lumber with the length to match your chosen chair width.



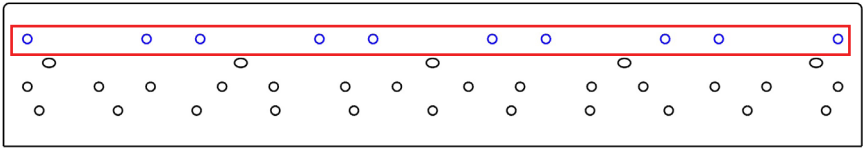
1x2 Boards  
Backrest: 13  
Bottom: 11



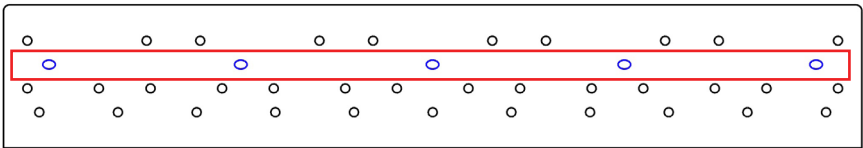
1x3 Boards  
Backrest: 8  
Bottom: 7



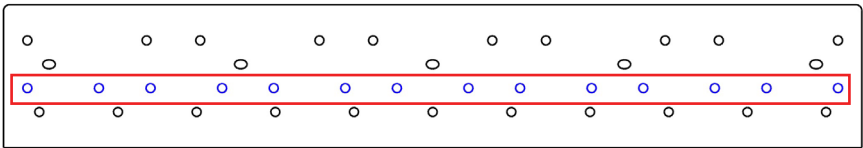
1x4 Boards  
Backrest: 6  
Bottom: 5



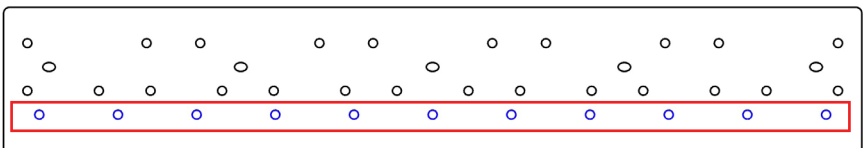
Screw holes for 1x4 boards



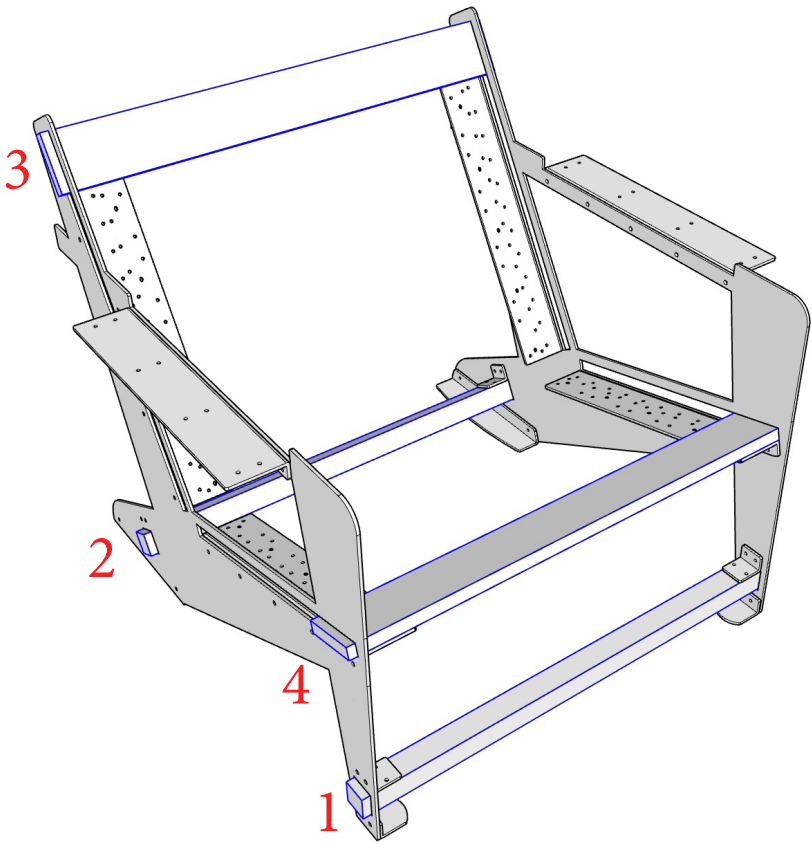
Screw holes for wood panels



Screw holes for 1x3 boards



Screw holes for 1x2 boards

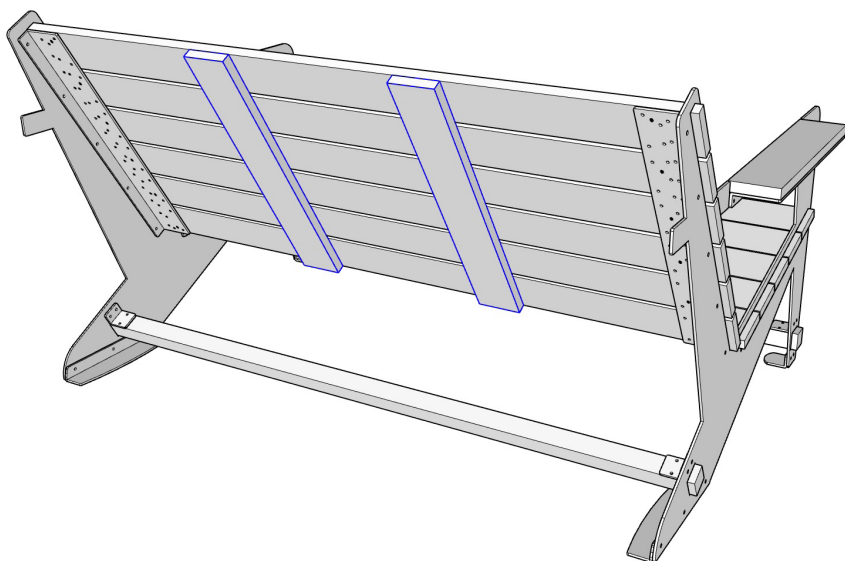


### Wood Assembly

1. Cut your lumber to length for your desired chair width - 28" is a common size. Remember that the only predetermined size are for the armrests. These pieces will be 17" lengths of 1x4 lumber.
2. While a second person holds the chair frames upright, begin attaching the wood to the brackets in the order shown above. This will create a freestanding assembly to make attaching the remaining boards easier. You can choose to attach the boards with the ends flush to the frames or let the wood stick out slightly depending on your aesthetic preference. Just be consistent with each board to ensure the finished chair is square and even.
3. Evenly space and secure the remaining boards to the brackets with the provided screws.

### Additional Bracing for Wide Builds

For wider chair builds of 36" or more it may be necessary to add additional wooden support cross bracing to the back and bottom boards for added stiffness. Simply cut boards to lengths of 18" for the bottom brace and 22-1/2" for the back brace and secure to each board using 1-1/4" screws. For a clean look, install the wood screws from the back - just be sure not to seat the screws too far into the wood so they don't poke out the front!



## Maintenance - Carbon Steel Kits

Every part of your Furniture Kit was hand-rubbed with linseed oil to provide a safe and natural finish to protect the steel from moisture designed to delay the natural rusting process.

If you wish to preserve the look of your product's original appearance then it will be necessary to periodically inspect and reapply the oil as it will degrade over time due to UV exposure from the sun. Simply clean your product with a dry cloth or warm water if necessary. Allow to dry completely. Use a staining pad or cloth rag to apply a very thin layer of linseed oil to all surfaces. Thoroughly buff when done to remove excess oil to prevent a gummy finish.

You may also choose to allow the metal to age beautifully through the natural Patina process. Patina is a weathering process which occurs when metal is exposed to oxygen and moisture that will gradually change bare steel from a bluish gray color to a dark reddish brown. This natural process varies the appearance of each piece making every piece unique. We recommend covering your furniture when not in use using one of our optional Furniture Covers or storing indoors during long periods of non-use.

## Maintenance - Stainless Steel Kits

Stainless steel is relatively easy to maintain. We recommend hand washing the steel panels with a mixture of water and regular dish soap 1-2 times per year. Thoroughly rinse and allow the panels to dry completely. Apply a thin layer of mineral or olive oil to the surface and buff. This will provide a layer of protection to the steel while restoring its original luster and preventing fingerprints. We recommend covering your furniture when not in use using one of our optional Furniture Covers or storing indoors during long periods of non-use.

## Maintenance - Wood

Each species of wood has different requirements and considerations for maximum performance and lifespan. If you have specific questions about the type of wood you are using for your builds please contact our customer service team for more information. Sun and moisture are the biggest factors to consider when caring for your furniture. We recommend covering your furniture when not in use using one of our optional Furniture Covers or storing indoors during long periods of non-use.

